

Programme
All Characteristics

Plan Name
21033

Date
2025-03-07

Temperature workpiece

Drawing No.
21033

Incremental Part Number
1

Audit-No.:

Time
9:34:28 pm

Operator
Master

Revision Date

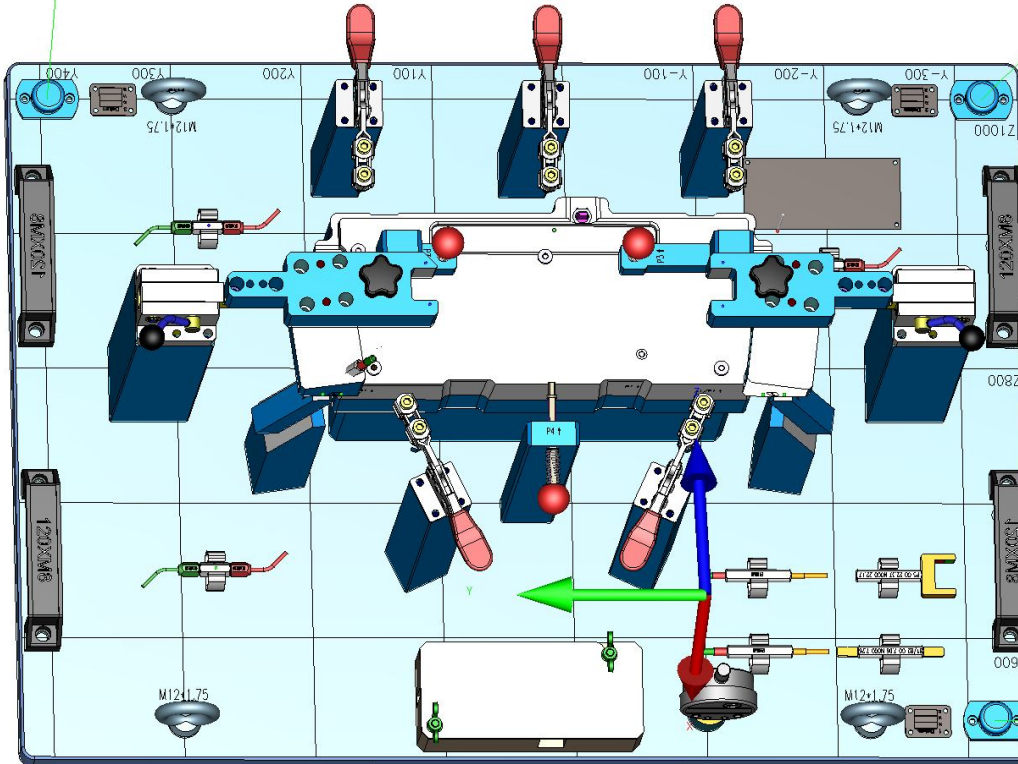


Circle3

	Act	Nom	Dev
X	799.482	799.480	0.003
Y	394.948	394.962	-0.014
Z	998.156	998.161	-0.005
D	8.013	8.000	

Circle2

	Act	Nom	Dev
X	799.451	799.449	0.001
Y	-319.998	-320.004	0.006
Z	998.122	998.123	-0.001
D	8.009	8.000	



Circle1

	Act	Nom	Dev
X	964.713	964.715	-0.001
Y	-319.986	-319.994	0.008
Z	536.915	536.908	0.007
D	8.009	8.000	



100 mm

Programme
All Characteristics

Plan Name
21033

Date
2025-03-07

Temperature workpiece

Drawing No.
21033

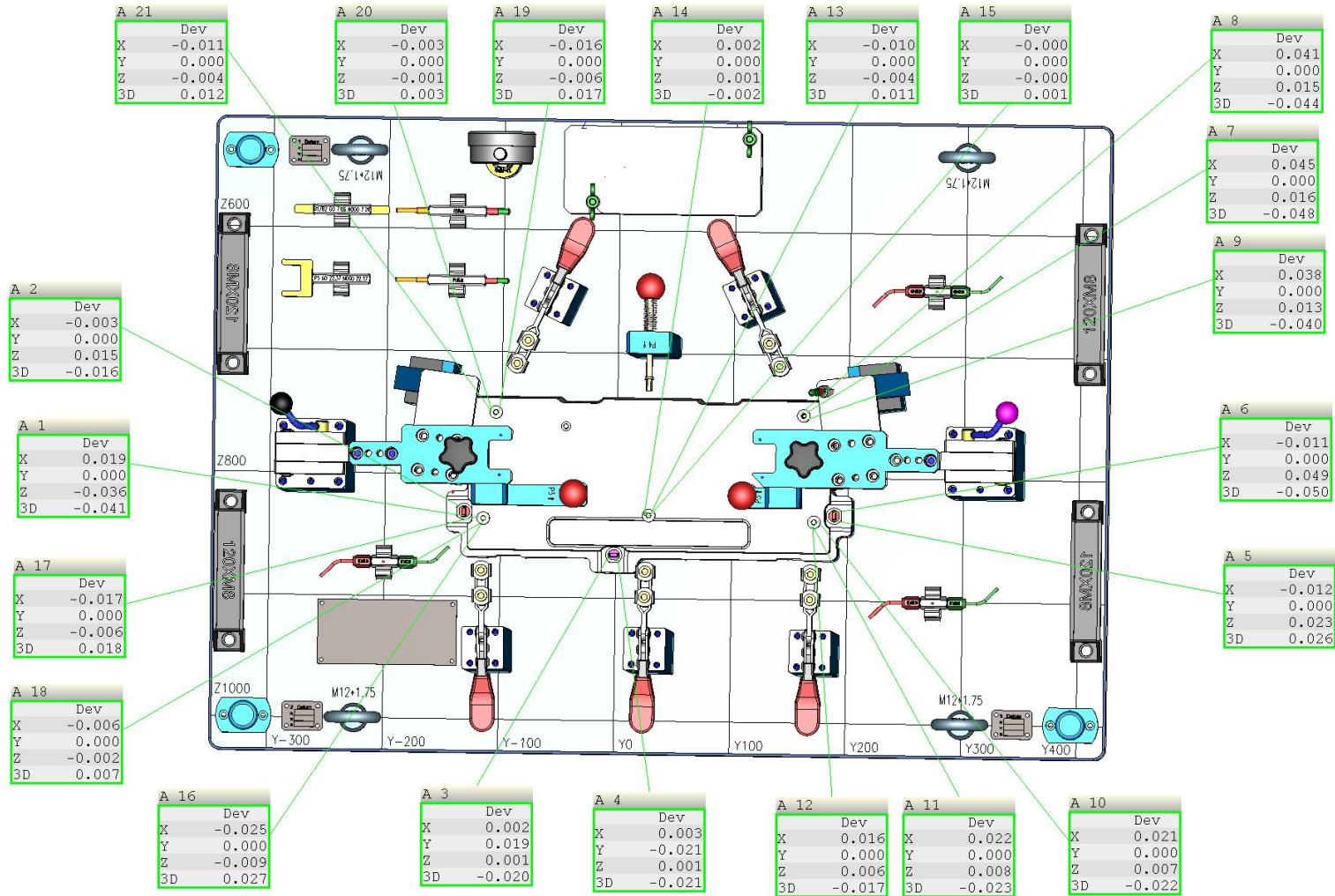
Incremental Part Number
1

Audit-No.:

Time
9:34:28 pm

Operator
Master

Revision Date



100 mm

Programme
All Characteristics

Plan Name
21033

Date
2025-03-07

Temperature workpiece

Drawing No.
21033

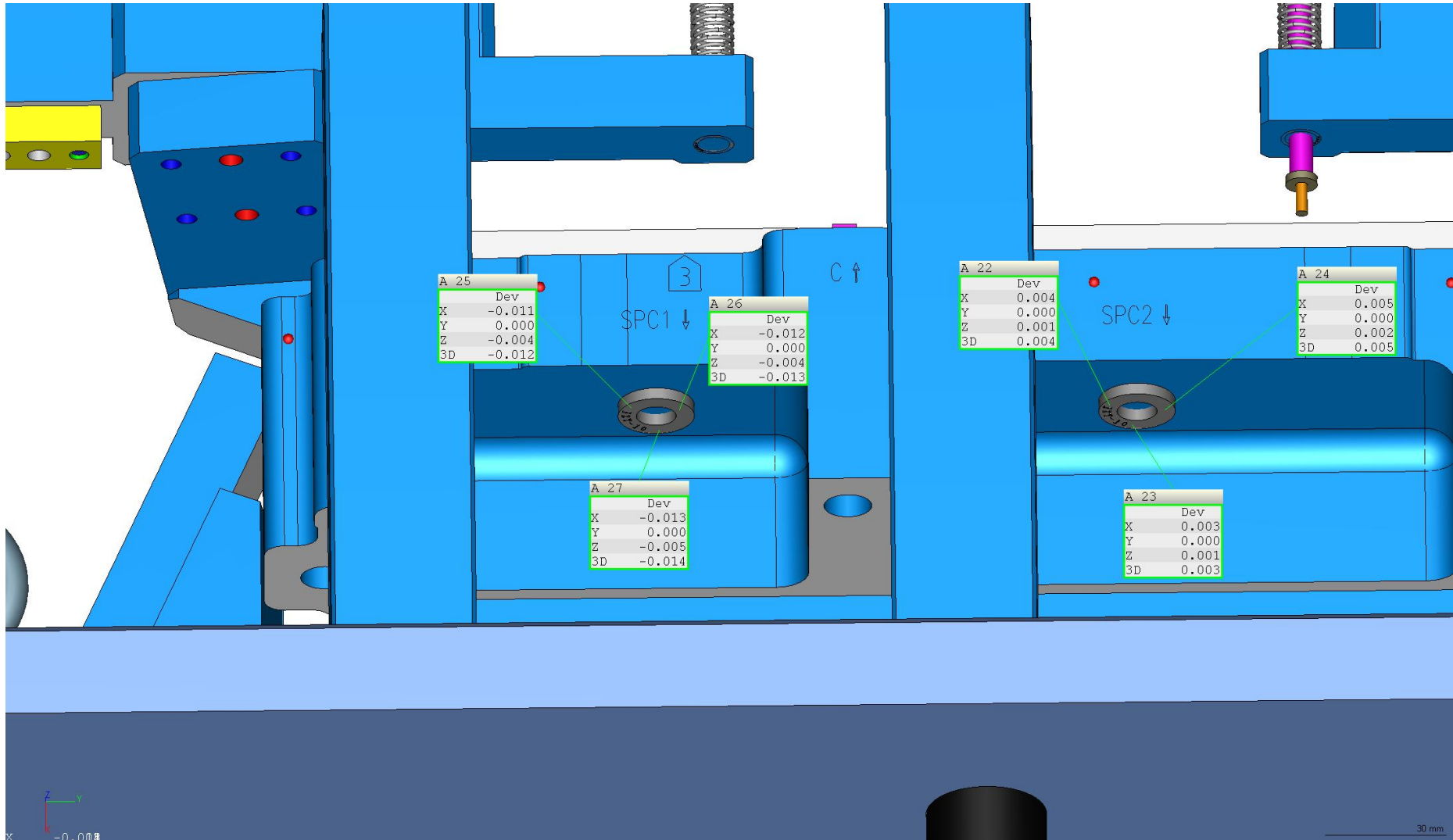
Incremental Part Number
1

Audit-No.:

Time
9:34:28 pm

Operator
Master

Revision Date



Programme
All Characteristics

Plan Name
21033

Date
2025-03-07

Temperature workpiece

Drawing No.
21033

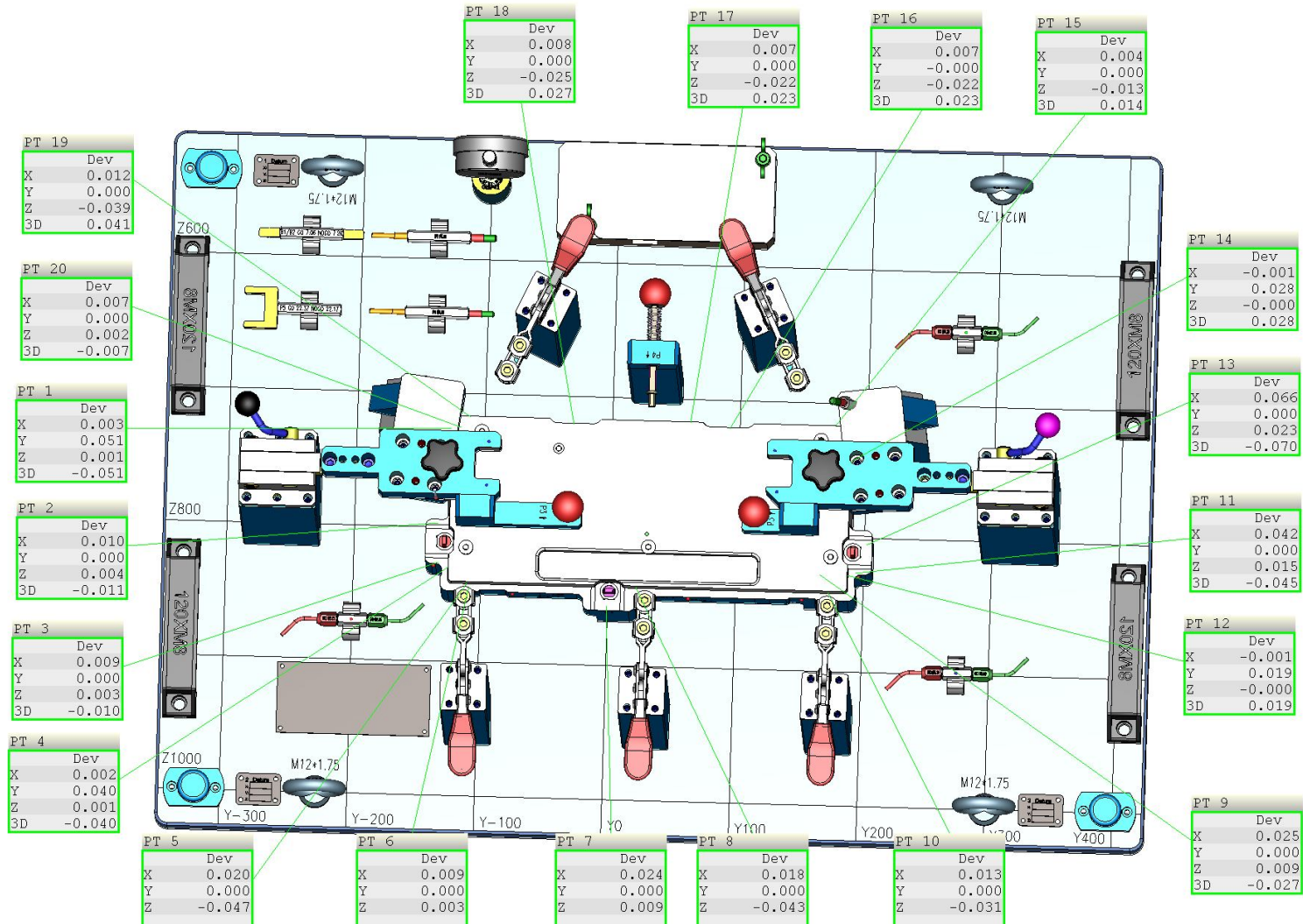
Incremental Part Number
1

Audit-No.:

Time
9:34:28 pm

Operator
Master

Revision Date



100 mm

Programme
All Characteristics

Plan Name
21033

Date
2025-03-07

Temperature workpiece

Drawing No.
21033

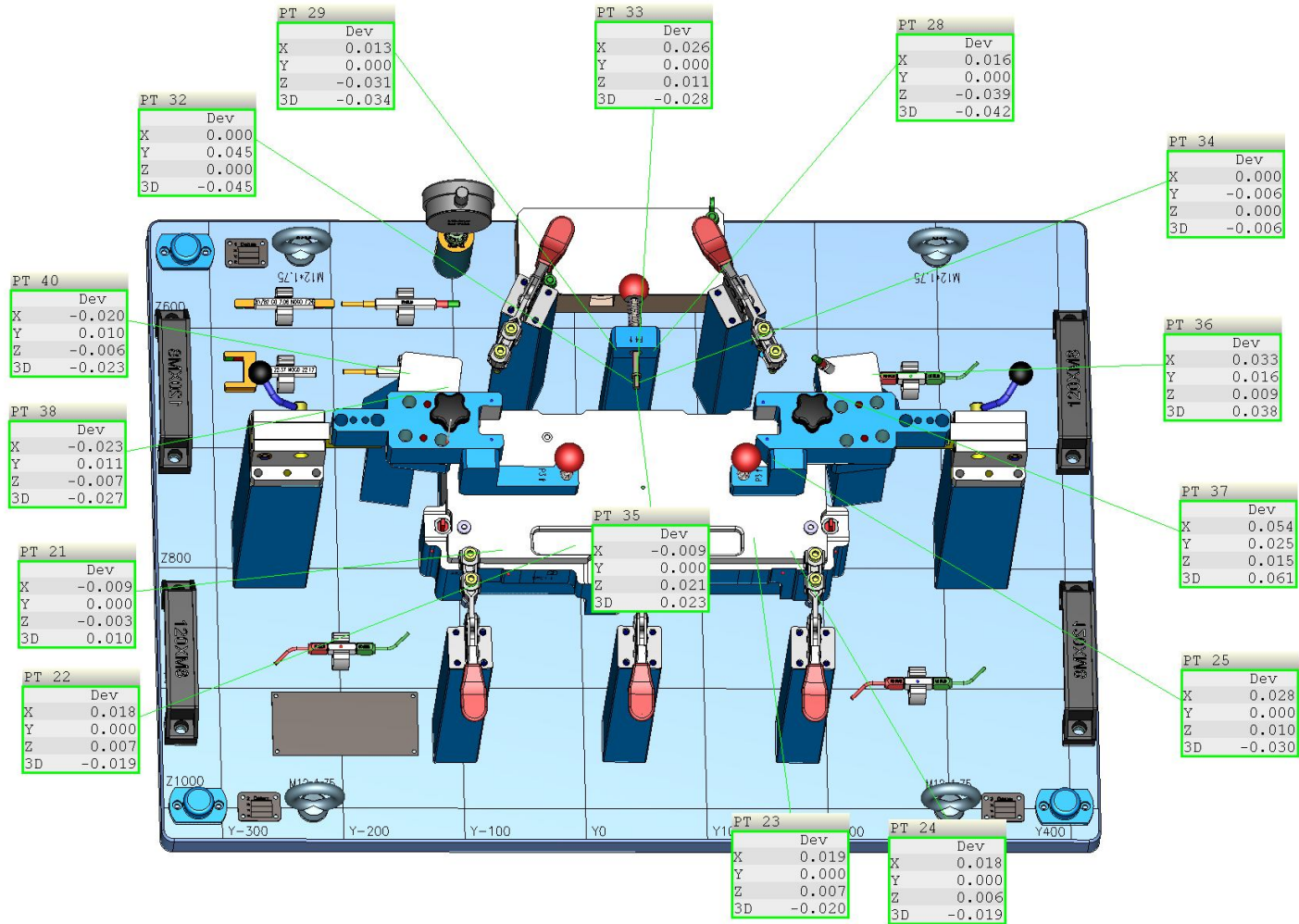
Incremental Part Number
1

Audit-No.:

Time
9:34:28 pm

Operator
Master

Revision Date



Programme
All Characteristics

Plan Name
21033

Date
2025-03-07

Temperature workpiece

Drawing No.
21033

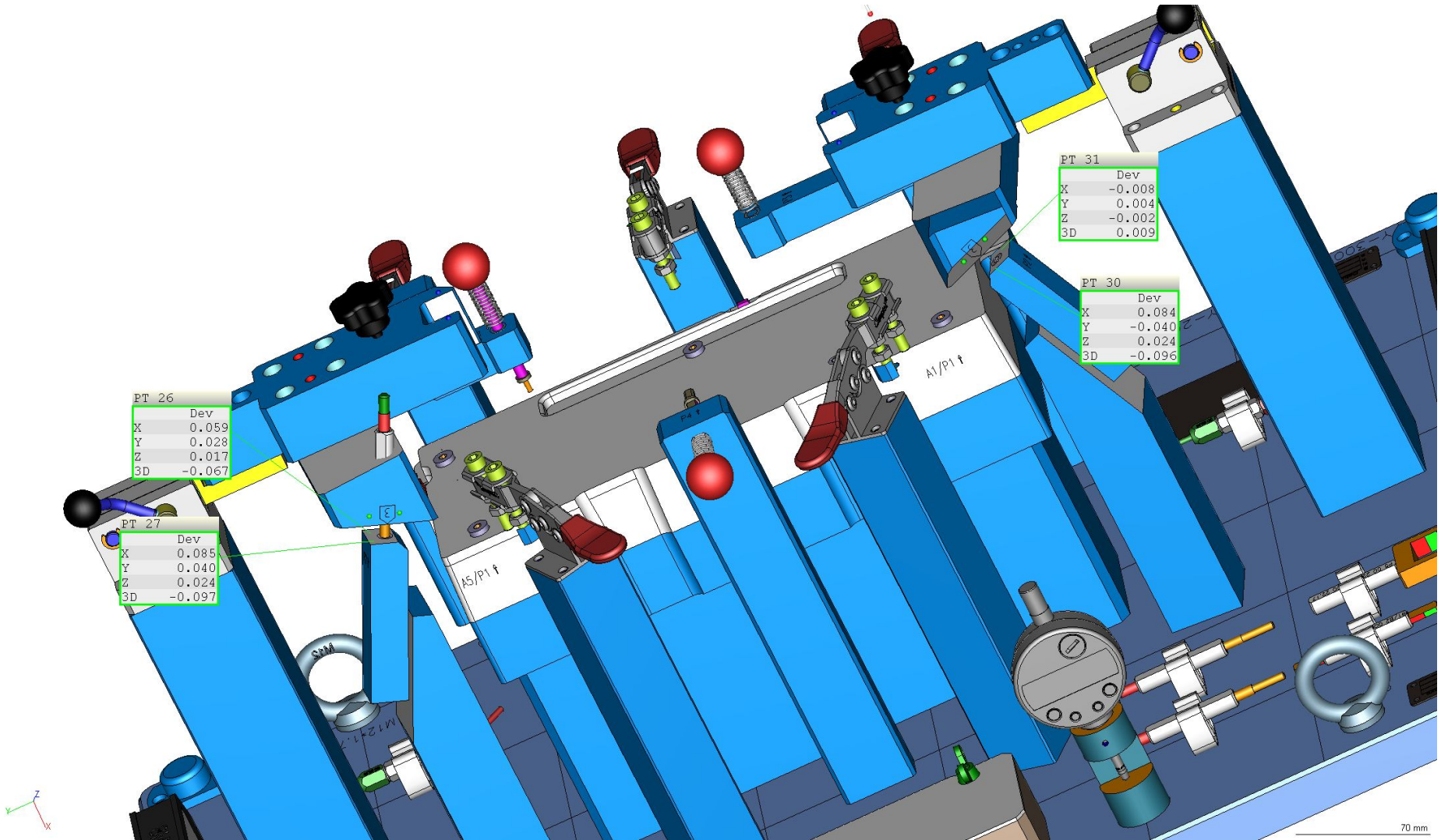
Incremental Part Number
1

Audit-No.:

Time
9:34:28 pm

Operator
Master

Revision Date



70 mm



Plan Name
21033

DATE
2025-03-07

OT
LD25-07E-164

Time
9:34:56 pm

Part Name
Fixture

Drawing No.
21033

Customer
Centracore Company

Metrologist
Jose Manuel Mendoza

Length unit
mm

No. de pieza
1

Name	ID	Actual	Nominal	pos Tol	neg Tol	Diff	<-- -->
------	----	--------	---------	---------	---------	------	---------

Alineación

X Value_Circle1	X	964.713	964.715	0.050	-0.050	-0.001	
Y Value_Circle1	Y	-319.986	-319.994	0.050	-0.050	0.008	-
Z Value_Circle1	Z	536.915	536.908	0.050	-0.050	0.007	-
X Value_Circle2	X	799.451	799.449	0.050	-0.050	0.001	
Y Value_Circle2	Y	-319.998	-320.004	0.050	-0.050	0.006	-
Z Value_Circle2	Z	998.122	998.123	0.050	-0.050	-0.001	
X Value_Circle3	X	799.482	799.480	0.050	-0.050	0.003	-
Y Value_Circle3	Y	394.948	394.962	0.050	-0.050	-0.014	--
Z Value_Circle3	Z	998.156	998.161	0.050	-0.050	-0.005	-

Mediciones

Space Point Distance_A 1	PtDist	-0.041	0.000	0.050	-0.050	-0.041	----
X Value_A 1	X	678.609	678.591	0.050	-0.050	0.019	--
Y Value_A 1	Y	-125.166	-125.166	0.050	-0.050	0.000	
Z Value_A 1	Z	771.270	771.306	0.050	-0.050	-0.036	---
Space Point Distance_A 2	PtDist	-0.016	0.000	0.050	-0.050	-0.016	--
X Value_A 2	X	681.145	681.148	0.050	-0.050	-0.003	-
Y Value_A 2	Y	-125.998	-125.998	0.050	-0.050	0.000	
Z Value_A 2	Z	764.982	764.967	0.050	-0.050	0.015	--
Space Point Distance_A 3	PtDist	-0.020	0.000	0.050	-0.050	-0.020	--
X Value_A 3	X	667.749	667.747	0.050	-0.050	0.002	-
Y Value_A 3	Y	1.180	1.161	0.050	-0.050	0.019	--
Z Value_A 3	Z	802.438	802.437	0.050	-0.050	0.001	
Space Point Distance_A 4	PtDist	-0.021	0.000	0.050	-0.050	-0.021	--
X Value_A 4	X	667.899	667.896	0.050	-0.050	0.003	-
Y Value_A 4	Y	8.033	8.053	0.050	-0.050	-0.021	--
Z Value_A 4	Z	802.085	802.084	0.050	-0.050	0.001	
Space Point Distance_A 5	PtDist	0.026	0.000	0.050	-0.050	0.026	---
X Value_A 5	X	676.978	676.990	0.050	-0.050	-0.012	-
Y Value_A 5	Y	194.270	194.270	0.050	-0.050	0.000	
Z Value_A 5	Z	770.505	770.482	0.050	-0.050	0.023	--
Space Point Distance_A 6	PtDist	-0.050	0.000	0.050	-0.050	-0.050	----

Plan Name 21033

Operator Master

DATE 2025-03-07 Time 9:34:56 pm



Name	id	actual	nominal	pos tol	neg tol	diff	<-- -->
X Value_A 6	X	680.127	680.137	0.050	-0.050	-0.011	-
Y Value_A 6	Y	194.460	194.460	0.050	-0.050	0.000	
Z Value_A 6	Z	764.797	764.748	0.050	-0.050	0.049	----
Space Point Distance_A 7	PtDist	-0.048	0.000	0.050	-0.050	-0.048	----
X Value_A 7	X	702.047	702.002	0.050	-0.050	0.045	----
Y Value_A 7	Y	170.614	170.614	0.050	-0.050	0.000	
Z Value_A 7	Z	681.349	681.333	0.050	-0.050	0.016	--
Space Point Distance_A 8	PtDist	-0.044	0.000	0.050	-0.050	-0.044	----
X Value_A 8	X	701.501	701.460	0.050	-0.050	0.041	----
Y Value_A 8	Y	163.935	163.935	0.050	-0.050	0.000	
Z Value_A 8	Z	682.861	682.846	0.050	-0.050	0.015	--
Space Point Distance_A 9	PtDist	-0.040	0.000	0.050	-0.050	-0.040	----
X Value_A 9	X	699.923	699.886	0.050	-0.050	0.038	----
Y Value_A 9	Y	168.869	168.869	0.050	-0.050	0.000	
Z Value_A 9	Z	687.256	687.242	0.050	-0.050	0.013	--
Space Point Distance_A 10	PtDist	-0.022	0.000	0.050	-0.050	-0.022	--
X Value_A 10	X	670.613	670.592	0.050	-0.050	0.021	--
Y Value_A 10	Y	180.979	180.979	0.050	-0.050	0.000	
Z Value_A 10	Z	769.048	769.041	0.050	-0.050	0.007	-
Space Point Distance_A 11	PtDist	-0.023	0.000	0.050	-0.050	-0.023	--
X Value_A 11	X	670.608	670.586	0.050	-0.050	0.022	--
Y Value_A 11	Y	173.898	173.898	0.050	-0.050	0.000	
Z Value_A 11	Z	769.067	769.059	0.050	-0.050	0.008	-
Space Point Distance_A 12	PtDist	-0.017	0.000	0.050	-0.050	-0.017	--
X Value_A 12	X	668.838	668.823	0.050	-0.050	0.016	--
Y Value_A 12	Y	176.828	176.828	0.050	-0.050	0.000	
Z Value_A 12	Z	773.989	773.983	0.050	-0.050	0.006	-
Space Point Distance_A 13	PtDist	0.011	0.000	0.050	-0.050	0.011	-
X Value_A 13	X	672.333	672.343	0.050	-0.050	-0.010	-
Y Value_A 13	Y	37.235	37.235	0.050	-0.050	0.000	
Z Value_A 13	Z	764.148	764.152	0.050	-0.050	-0.004	-
Space Point Distance_A 14	PtDist	-0.002	0.000	0.050	-0.050	-0.002	-
X Value_A 14	X	672.069	672.067	0.050	-0.050	0.002	-
Y Value_A 14	Y	31.002	31.002	0.050	-0.050	0.000	
Z Value_A 14	Z	764.924	764.923	0.050	-0.050	0.001	
Space Point Distance_A 15	PtDist	0.001	0.000	0.050	-0.050	0.001	
X Value_A 15	X	670.234	670.234	0.050	-0.050	0.000	
Y Value_A 15	Y	33.453	33.453	0.050	-0.050	0.000	
Z Value_A 15	Z	770.041	770.041	0.050	-0.050	0.000	
Space Point Distance_A 16	PtDist	0.027	0.000	0.050	-0.050	0.027	---
X Value_A 16	X	670.459	670.484	0.050	-0.050	-0.025	--
Y Value_A 16	Y	-105.110	-105.110	0.050	-0.050	0.000	

Plan Name 21033

Operator Master

DATE 2025-03-07 Time 9:34:56 pm



Name	id	actual	nominal	pos tol	neg tol	diff	<-- -->
Z Value_A 16	Z	769.335	769.344	0.050	-0.050	-0.009	-
Space Point Distance_A 17	PtDist	0.018	0.000	0.050	-0.050	0.018	--
X Value_A 17	X	670.809	670.826	0.050	-0.050	-0.017	--
Y Value_A 17	Y	-111.760	-111.760	0.050	-0.050	0.000	
Z Value_A 17	Z	768.383	768.389	0.050	-0.050	-0.006	-
Space Point Distance_A 18	PtDist	0.007	0.000	0.050	-0.050	0.007	-
X Value_A 18	X	668.747	668.754	0.050	-0.050	-0.006	-
Y Value_A 18	Y	-109.648	-109.648	0.050	-0.050	0.000	
Z Value_A 18	Z	774.173	774.175	0.050	-0.050	-0.002	-
Space Point Distance_A 19	PtDist	0.017	0.000	0.050	-0.050	0.017	--
X Value_A 19	X	701.637	701.653	0.050	-0.050	-0.016	--
Y Value_A 19	Y	-95.357	-95.357	0.050	-0.050	0.000	
Z Value_A 19	Z	682.301	682.307	0.050	-0.050	-0.006	-
Space Point Distance_A 20	PtDist	0.003	0.000	0.050	-0.050	0.003	-
X Value_A 20	X	701.750	701.754	0.050	-0.050	-0.003	-
Y Value_A 20	Y	-101.968	-101.968	0.050	-0.050	0.000	
Z Value_A 20	Z	682.025	682.026	0.050	-0.050	-0.001	
Space Point Distance_A 21	PtDist	0.012	0.000	0.050	-0.050	0.012	-
X Value_A 21	X	699.727	699.738	0.050	-0.050	-0.011	-
Y Value_A 21	Y	-98.835	-98.835	0.050	-0.050	0.000	
Z Value_A 21	Z	687.649	687.653	0.050	-0.050	-0.004	-
Space Point Distance_A 22	PtDist	0.004	0.000	0.050	-0.050	0.004	-
X Value_A 22	X	709.604	709.600	0.050	-0.050	0.004	-
Y Value_A 22	Y	70.241	70.241	0.050	-0.050	0.000	
Z Value_A 22	Z	800.411	800.410	0.050	-0.050	0.001	
Space Point Distance_A 23	PtDist	0.003	0.000	0.050	-0.050	0.003	-
X Value_A 23	X	713.159	713.156	0.050	-0.050	0.003	-
Y Value_A 23	Y	75.713	75.713	0.050	-0.050	0.000	
Z Value_A 23	Z	790.481	790.480	0.050	-0.050	0.001	
Space Point Distance_A 24	PtDist	0.005	0.000	0.050	-0.050	0.005	-
X Value_A 24	X	710.496	710.490	0.050	-0.050	0.005	-
Y Value_A 24	Y	83.786	83.786	0.050	-0.050	0.000	
Z Value_A 24	Z	797.926	797.924	0.050	-0.050	0.002	-
Space Point Distance_A 25	PtDist	-0.012	0.000	0.050	-0.050	-0.012	-
X Value_A 25	X	709.142	709.153	0.050	-0.050	-0.011	-
Y Value_A 25	Y	-48.735	-48.735	0.050	-0.050	0.000	
Z Value_A 25	Z	801.654	801.658	0.050	-0.050	-0.004	-
Space Point Distance_A 26	PtDist	-0.013	0.000	0.050	-0.050	-0.013	--
X Value_A 26	X	709.686	709.698	0.050	-0.050	-0.012	-
Y Value_A 26	Y	-36.836	-36.836	0.050	-0.050	0.000	
Z Value_A 26	Z	800.132	800.137	0.050	-0.050	-0.004	-
Space Point Distance_A 27	PtDist	-0.014	0.000	0.050	-0.050	-0.014	--

Plan Name 21033

Operator Master

DATE 2025-03-07 Time 9:34:56 pm



Name	id	actual	nominal	pos tol	neg tol	diff	<-- -->
X Value_A 27	X	713.270	713.283	0.050	-0.050	-0.013	--
Y Value_A 27	Y	-41.803	-41.803	0.050	-0.050	0.000	
Z Value_A 27	Z	790.121	790.125	0.050	-0.050	-0.005	-
Space Point Distance_PT 1	PtDist	-0.051	0.000	0.100	-0.100	-0.051	---
X Value_PT 1	X	708.618	708.616	0.100	-0.100	0.003	-
Y Value_PT 1	Y	-121.862	-121.914	0.100	-0.100	0.051	---
Z Value_PT 1	Z	683.714	683.713	0.100	-0.100	0.001	
Space Point Distance_PT 2	PtDist	-0.011	0.000	0.100	-0.100	-0.011	-
X Value_PT 2	X	689.238	689.227	0.100	-0.100	0.010	-
Y Value_PT 2	Y	-130.340	-130.340	0.100	-0.100	0.000	
Z Value_PT 2	Z	755.923	755.919	0.100	-0.100	0.004	-
Space Point Distance_PT 3	PtDist	-0.010	0.000	0.100	-0.100	-0.010	-
X Value_PT 3	X	678.824	678.814	0.100	-0.100	0.009	-
Y Value_PT 3	Y	-129.495	-129.495	0.100	-0.100	0.000	
Z Value_PT 3	Z	785.000	784.997	0.100	-0.100	0.003	-
Space Point Distance_PT 4	PtDist	-0.040	0.000	0.100	-0.100	-0.040	--
X Value_PT 4	X	670.083	670.081	0.100	-0.100	0.002	-
Y Value_PT 4	Y	-121.794	-121.834	0.100	-0.100	0.040	--
Z Value_PT 4	Z	786.825	786.825	0.100	-0.100	0.001	
Space Point Distance_PT 5	PtDist	-0.051	0.000	0.100	-0.100	-0.051	---
X Value_PT 5	X	667.801	667.781	0.100	-0.100	0.020	-
Y Value_PT 5	Y	-106.596	-106.596	0.100	-0.100	0.000	
Z Value_PT 5	Z	798.493	798.540	0.100	-0.100	-0.047	--
Space Point Distance_PT 6	PtDist	-0.009	0.000	0.100	-0.100	-0.009	-
X Value_PT 6	X	672.233	672.224	0.100	-0.100	0.009	-
Y Value_PT 6	Y	-105.469	-105.469	0.100	-0.100	0.000	
Z Value_PT 6	Z	803.402	803.399	0.100	-0.100	0.003	-
Space Point Distance_PT 7	PtDist	-0.026	0.000	0.100	-0.100	-0.026	--
X Value_PT 7	X	667.912	667.887	0.100	-0.100	0.024	-
Y Value_PT 7	Y	2.942	2.942	0.100	-0.100	0.000	
Z Value_PT 7	Z	814.332	814.323	0.100	-0.100	0.009	-
Space Point Distance_PT 8	PtDist	-0.046	0.000	0.100	-0.100	-0.046	--
X Value_PT 8	X	667.993	667.975	0.100	-0.100	0.018	-
Y Value_PT 8	Y	25.747	25.747	0.100	-0.100	0.000	
Z Value_PT 8	Z	798.578	798.621	0.100	-0.100	-0.043	--
Space Point Distance_PT 9	PtDist	-0.027	0.000	0.100	-0.100	-0.027	--
X Value_PT 9	X	668.334	668.309	0.100	-0.100	0.025	-
Y Value_PT 9	Y	169.722	169.722	0.100	-0.100	0.000	
Z Value_PT 9	Z	784.326	784.317	0.100	-0.100	0.009	-
Space Point Distance_PT 10	PtDist	-0.034	0.000	0.100	-0.100	-0.034	--
X Value_PT 10	X	668.844	668.831	0.100	-0.100	0.013	-
Y Value_PT 10	Y	176.336	176.336	0.100	-0.100	0.000	

Plan Name 21033

Operator Master

DATE 2025-03-07 Time 9:34:56 pm



Name	id	actual	nominal	pos tol	neg tol	diff	<-- -->
Z Value_PT 10	Z	798.948	798.979	0.100	-0.100	-0.031	--
Space Point Distance_PT 11	PtDist	-0.045	0.000	0.100	-0.100	-0.045	--
X Value_PT 11	X	678.986	678.944	0.100	-0.100	0.042	--
Y Value_PT 11	Y	197.174	197.174	0.100	-0.100	0.000	
Z Value_PT 11	Z	784.651	784.635	0.100	-0.100	0.015	-
Space Point Distance_PT 12	PtDist	0.019	0.000	0.100	-0.100	0.019	-
X Value_PT 12	X	669.822	669.823	0.100	-0.100	-0.001	
Y Value_PT 12	Y	191.022	191.003	0.100	-0.100	0.019	-
Z Value_PT 12	Z	785.165	785.166	0.100	-0.100	0.000	
Space Point Distance_PT 13	PtDist	-0.070	0.000	0.100	-0.100	-0.070	---
X Value_PT 13	X	686.095	686.029	0.100	-0.100	0.066	---
Y Value_PT 13	Y	205.730	205.730	0.100	-0.100	0.000	
Z Value_PT 13	Z	763.687	763.664	0.100	-0.100	0.023	-
Space Point Distance_PT 14	PtDist	0.028	0.000	0.100	-0.100	0.028	--
X Value_PT 14	X	701.070	701.072	0.100	-0.100	-0.001	
Y Value_PT 14	Y	191.079	191.051	0.100	-0.100	0.028	--
Z Value_PT 14	Z	700.595	700.596	0.100	-0.100	0.000	
Space Point Distance_PT 15	PtDist	0.014	0.000	0.100	-0.100	0.014	-
X Value_PT 15	X	711.208	711.204	0.100	-0.100	0.004	-
Y Value_PT 15	Y	178.749	178.749	0.100	-0.100	0.000	
Z Value_PT 15	Z	674.493	674.506	0.100	-0.100	-0.013	-
Space Point Distance_PT 16	PtDist	0.023	0.000	0.100	-0.100	0.023	-
X Value_PT 16	X	718.721	718.715	0.100	-0.100	0.007	-
Y Value_PT 16	Y	96.067	96.067	0.100	-0.100	0.000	
Z Value_PT 16	Z	680.390	680.412	0.100	-0.100	-0.022	-
Space Point Distance_PT 17	PtDist	0.023	0.000	0.100	-0.100	0.023	-
X Value_PT 17	X	716.146	716.139	0.100	-0.100	0.007	-
Y Value_PT 17	Y	64.620	64.620	0.100	-0.100	0.000	
Z Value_PT 17	Z	675.965	675.987	0.100	-0.100	-0.022	-
Space Point Distance_PT 18	PtDist	0.027	0.000	0.100	-0.100	0.027	--
X Value_PT 18	X	716.709	716.702	0.100	-0.100	0.008	-
Y Value_PT 18	Y	-26.473	-26.473	0.100	-0.100	0.000	
Z Value_PT 18	Z	679.782	679.808	0.100	-0.100	-0.025	-
Space Point Distance_PT 19	PtDist	0.041	0.000	0.100	-0.100	0.041	--
X Value_PT 19	X	711.587	711.576	0.100	-0.100	0.012	-
Y Value_PT 19	Y	-107.337	-107.337	0.100	-0.100	0.000	
Z Value_PT 19	Z	674.579	674.618	0.100	-0.100	-0.039	--
Space Point Distance_PT 20	PtDist	-0.007	0.000	0.100	-0.100	-0.007	-
X Value_PT 20	X	704.905	704.898	0.100	-0.100	0.007	-
Y Value_PT 20	Y	-114.262	-114.262	0.100	-0.100	0.000	
Z Value_PT 20	Z	682.147	682.144	0.100	-0.100	0.002	-
Space Point Distance_PT 21	PtDist	0.010	0.000	0.100	-0.100	0.010	-

Plan Name 21033

Operator Master

DATE 2025-03-07 Time 9:34:56 pm



Name	id	actual	nominal	pos tol	neg tol	diff	<-- -->
X Value_PT 21	X	666.381	666.390	0.100	-0.100	-0.009	-
Y Value_PT 21	Y	-76.394	-76.394	0.100	-0.100	0.000	
Z Value_PT 21	Z	789.670	789.673	0.100	-0.100	-0.003	-
Space Point Distance_PT 22	PtDist	-0.019	0.000	0.100	-0.100	-0.019	-
X Value_PT 22	X	674.703	674.685	0.100	-0.100	0.018	-
Y Value_PT 22	Y	-16.045	-16.045	0.100	-0.100	0.000	
Z Value_PT 22	Z	785.204	785.198	0.100	-0.100	0.007	-
Space Point Distance_PT 23	PtDist	-0.020	0.000	0.100	-0.100	-0.020	-
X Value_PT 23	X	670.210	670.191	0.100	-0.100	0.019	-
Y Value_PT 23	Y	131.061	131.061	0.100	-0.100	0.000	
Z Value_PT 23	Z	779.067	779.061	0.100	-0.100	0.007	-
Space Point Distance_PT 24	PtDist	-0.019	0.000	0.100	-0.100	-0.019	-
X Value_PT 24	X	666.292	666.274	0.100	-0.100	0.018	-
Y Value_PT 24	Y	161.319	161.319	0.100	-0.100	0.000	
Z Value_PT 24	Z	790.004	789.998	0.100	-0.100	0.006	-
Space Point Distance_PT 25	PtDist	-0.030	0.000	0.100	-0.100	-0.030	--
X Value_PT 25	X	693.686	693.658	0.100	-0.100	0.028	--
Y Value_PT 25	Y	148.071	148.071	0.100	-0.100	0.000	
Z Value_PT 25	Z	713.541	713.531	0.100	-0.100	0.010	-
Space Point Distance_PT 26	PtDist	-0.067	0.000	0.100	-0.100	-0.067	---
X Value_PT 26	X	678.539	678.480	0.100	-0.100	0.059	---
Y Value_PT 26	Y	216.381	216.354	0.100	-0.100	0.028	--
Z Value_PT 26	Z	655.085	655.068	0.100	-0.100	0.017	-
Space Point Distance_PT 27	PtDist	-0.097	0.000	0.100	-0.100	-0.097	----
X Value_PT 27	X	681.414	681.329	0.100	-0.100	0.085	----
Y Value_PT 27	Y	215.666	215.626	0.100	-0.100	0.040	--
Z Value_PT 27	Z	646.305	646.281	0.100	-0.100	0.024	-
Space Point Distance_PT 28	PtDist	-0.042	0.000	0.100	-0.100	-0.042	--
X Value_PT 28	X	689.294	689.278	0.100	-0.100	0.016	-
Y Value_PT 28	Y	49.239	49.239	0.100	-0.100	0.000	
Z Value_PT 28	Z	624.940	624.979	0.100	-0.100	-0.039	--
Space Point Distance_PT 29	PtDist	-0.034	0.000	0.100	-0.100	-0.034	--
X Value_PT 29	X	687.755	687.742	0.100	-0.100	0.013	-
Y Value_PT 29	Y	18.980	18.980	0.100	-0.100	0.000	
Z Value_PT 29	Z	624.305	624.336	0.100	-0.100	-0.031	--
Space Point Distance_PT 30	PtDist	-0.096	0.000	0.100	-0.100	-0.096	----
X Value_PT 30	X	685.009	684.925	0.100	-0.100	0.084	----
Y Value_PT 30	Y	-139.694	-139.654	0.100	-0.100	-0.040	--
Z Value_PT 30	Z	644.924	644.900	0.100	-0.100	0.024	-
Space Point Distance_PT 31	PtDist	0.009	0.000	0.100	-0.100	0.009	-
X Value_PT 31	X	678.768	678.776	0.100	-0.100	-0.008	-
Y Value_PT 31	Y	-144.926	-144.930	0.100	-0.100	0.004	-

Plan Name 21033

Operator Master

DATE 2025-03-07 Time 9:34:56 pm



Name	id	actual	nominal	pos tol	neg tol	diff	<-- -->
Z Value_PT 31	Z	657.533	657.536	0.100	-0.100	-0.002	-
Space Point Distance_PT 32	PtDist	-0.045	0.000	0.100	-0.100	-0.045	--
X Value_PT 32	X	681.355	681.355	0.100	-0.100	0.000	
Y Value_PT 32	Y	32.063	32.018	0.100	-0.100	0.045	--
Z Value_PT 32	Z	651.273	651.273	0.100	-0.100	0.000	
Space Point Distance_PT 33	PtDist	-0.028	0.000	0.100	-0.100	-0.028	--
X Value_PT 33	X	679.834	679.808	0.100	-0.100	0.026	--
Y Value_PT 33	Y	34.843	34.843	0.100	-0.100	0.000	
Z Value_PT 33	Z	650.439	650.428	0.100	-0.100	0.011	-
Space Point Distance_PT 34	PtDist	-0.006	0.000	0.100	-0.100	-0.006	-
X Value_PT 34	X	681.876	681.876	0.100	-0.100	0.000	
Y Value_PT 34	Y	37.187	37.193	0.100	-0.100	-0.006	-
Z Value_PT 34	Z	650.611	650.611	0.100	-0.100	0.000	
Space Point Distance_PT 35	PtDist	0.023	0.000	0.100	-0.100	0.023	-
X Value_PT 35	X	680.564	680.573	0.100	-0.100	-0.009	-
Y Value_PT 35	Y	34.235	34.235	0.100	-0.100	0.000	
Z Value_PT 35	Z	656.046	656.025	0.100	-0.100	0.021	-
Space Point Distance_PT 36	PtDist	0.038	0.000	0.100	-0.100	0.038	--
X Value_PT 36	X	663.920	663.887	0.100	-0.100	0.033	--
Y Value_PT 36	Y	228.071	228.056	0.100	-0.100	0.016	-
Z Value_PT 36	Z	644.715	644.705	0.100	-0.100	0.009	-
Space Point Distance_PT 37	PtDist	0.061	0.000	0.100	-0.100	0.061	---
X Value_PT 37	X	678.362	678.309	0.100	-0.100	0.054	---
Y Value_PT 37	Y	189.474	189.449	0.100	-0.100	0.025	-
Z Value_PT 37	Z	658.040	658.024	0.100	-0.100	0.015	-
Space Point Distance_PT 40	PtDist	-0.023	0.000	0.100	-0.100	-0.023	-
X Value_PT 40	X	666.721	666.741	0.100	-0.100	-0.020	-
Y Value_PT 40	Y	-152.879	-152.889	0.100	-0.100	0.010	-
Z Value_PT 40	Z	644.563	644.569	0.100	-0.100	-0.006	-

Gages Go No-Go

Diameter_Gage G.1	D	4.801	4.800	0.020	0.000	0.001	----
Diameter_Gage G.2	D	5.193	5.200	0.000	-0.020	-0.007	--
Diameter_Gage F.1	D	4.397	4.400	0.030	0.000	-0.003	-0.003
Diameter_Gage F.2	D	3.996	4.000	-0.004	-0.012	-0.004	----
Diameter_Gage E.1	D	5.802	5.800	0.020	0.000	0.002	----
Diameter_Gage E.2	D	6.193	6.200	0.000	-0.020	-0.007	--
Diameter_Gage D.1	D	5.396	5.400	0.030	0.000	-0.004	-0.004
Diameter_Gage D.2	D	3.993	4.000	-0.004	-0.012	-0.007	
Diameter_Gage C.1	D	7.083	7.080	0.010	0.000	0.003	--
Diameter_Gage C.2	D	7.280	7.280	0.000	-0.010	0.000	----
Diameter_Gage B.1	D	7.256	7.260	0.000	-0.010	-0.004	

Plan Name 21033

Operator Master

DATE 2025-03-07 Time 9:34:56 pm



Name	id	actual	nominal	pos tol	neg tol	diff	<-- -->
Diameter_Gage B.2	D	7.065	7.060	0.010	0.000	0.005	
X Value_Gage A.1	X	22.171	22.170	0.010	0.000	0.001	----
X Value_Gage A.2	X	22.370	22.370	0.000	-0.010	0.000	----
Diameter_Gage H.1	D	2.801	2.800	0.005	0.000	0.001	
Diameter_Gage H.2	D	3.195	3.195	0.000	-0.005	0.000	----
Diameter_Gage I.1	D	3.005	3.000	0.005	0.000	0.005	----
Diameter_Gage I.2	D	3.296	3.300	0.000	-0.005	-0.004	----
Diameter_Feeler 1.1	D	2.854	2.850			0.004	
Diameter_Feeler 1.2	D	3.150	3.150			0.000	
Space Point Distance_PT 38	PtDist	-0.027	0.000	0.100	-0.100	-0.027	--
X Value_PT 38	X	679.018	679.041	0.100	-0.100	-0.023	-
Y Value_PT 38	Y	-120.484	-120.495	0.100	-0.100	0.011	-
Z Value_PT 38	Z	655.044	655.051	0.100	-0.100	-0.007	-