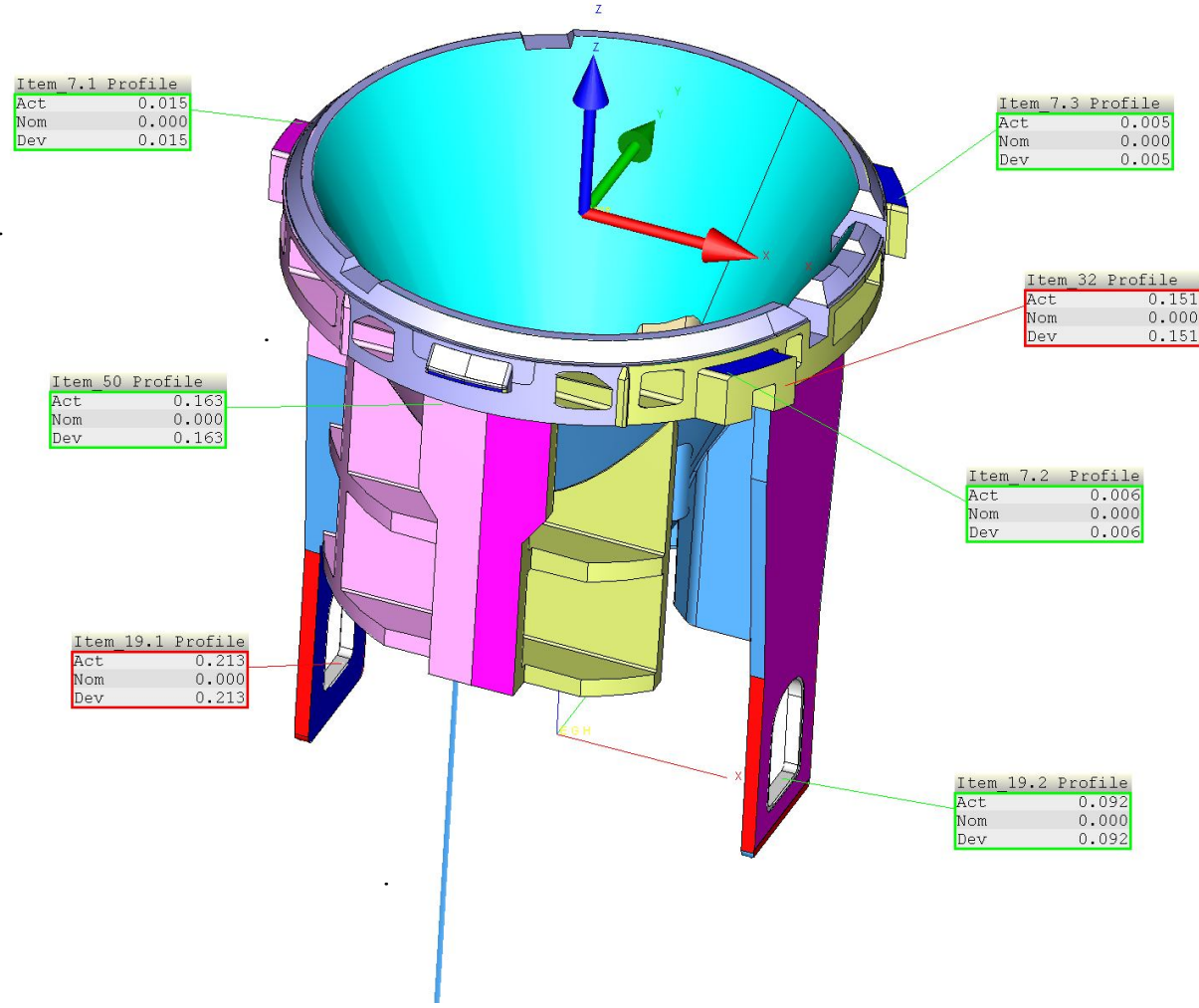
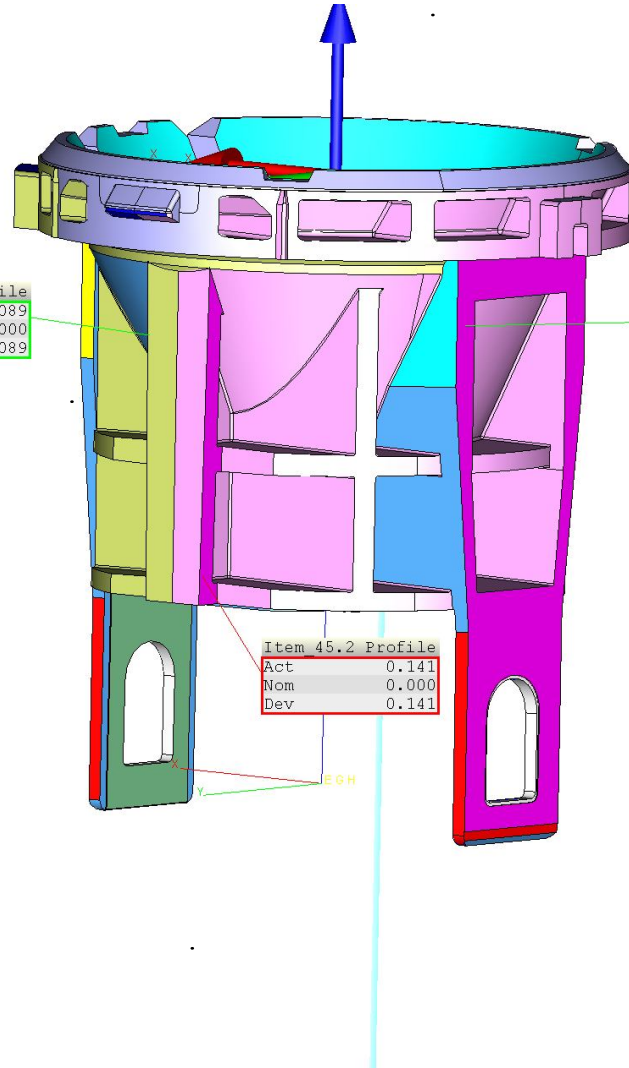


Programme All Characteristics	Plan Name 3611840-1E	Date 2025-02-27	Temperature workpiece	Drawing No. 3611840-1 E
Incremental Part Number cav 1-4_1	Audit-No.:	Time 10:03:45 am	Operator Master	Revision Date



8 mm

Programme All Characteristics	Plan Name 3611840-1E	Date 2025-02-27	Temperature workpiece	Drawing No. 3611840-1 E
Incremental Part Number cav 1-4_1	Audit-No.:	Time 10:03:45 am	Operator Master	Revision Date



Item 45.1 Profile	
Act	0.089
Nom	0.000
Dev	0.089

Item 23 Profile	
Act	0.142
Nom	0.000
Dev	0.142

Item 45.2 Profile	
Act	0.141
Nom	0.000
Dev	0.141

EGH



8 mm



Plan Name  
3611840-1E

DATE  
2025-02-27

OT  
LD25-07E-129

Time  
10:03:55 am

Part Name  
ACTUADOR SSSW

Drawing No.  
3611840-1 E

Customer  
NIDEC

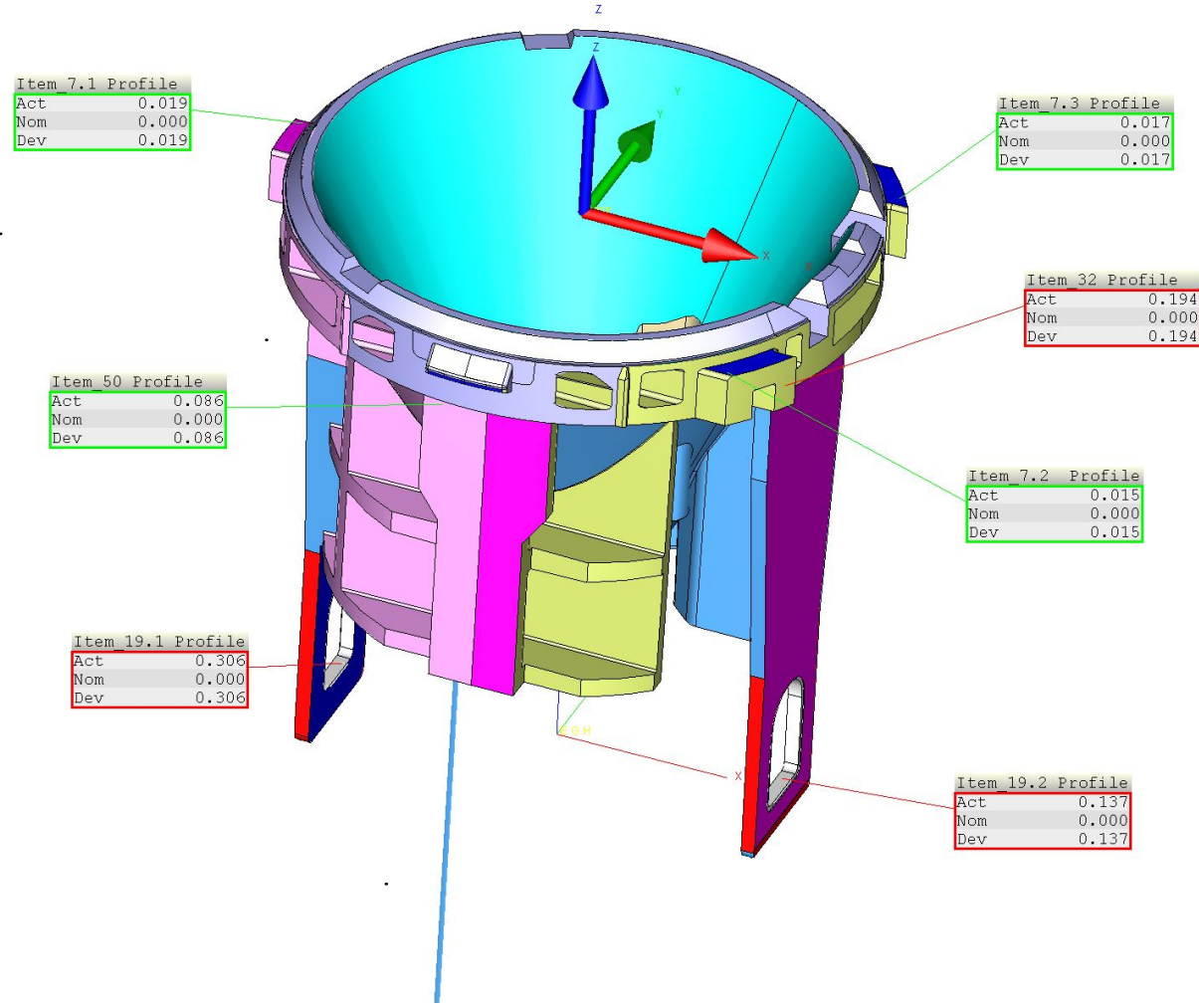
Metrologist  
Emmanuel Vizcaya

Length unit  
mm

No. de pieza  
cav 1-4\_1

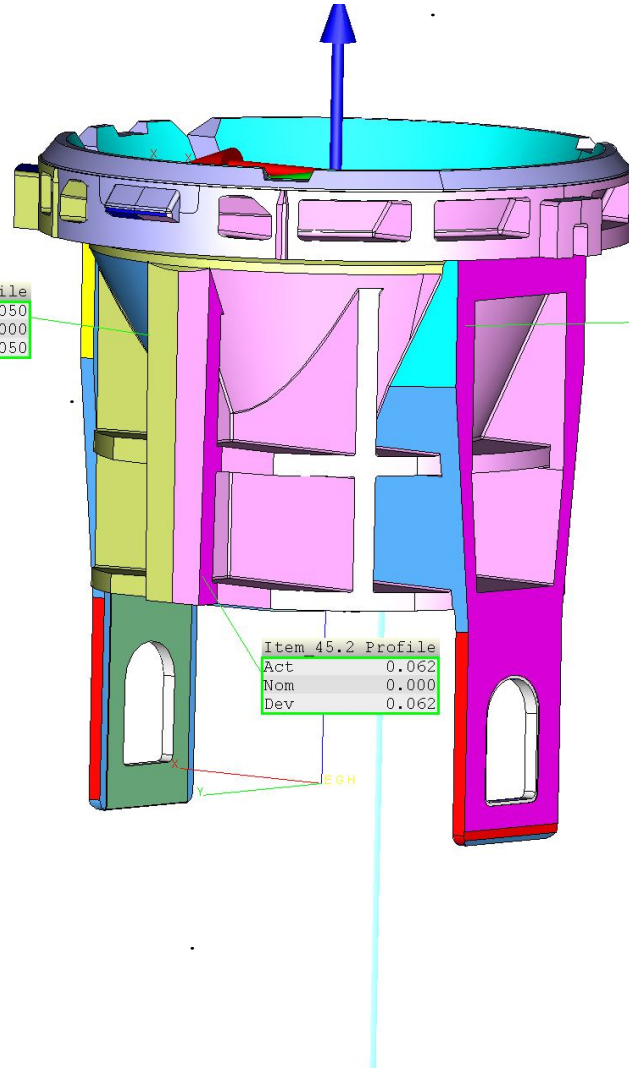
Name	ID	Actual	Nominal	pos Tol	neg Tol	Diff	<-- -->
Item_19.1 Profile	Prof	0.213	0.000	0.100		0.213	0.113
Item_19.2 Profile	Prof	0.092	0.000	0.100		0.092	----
Item_7.1 Profile	Prof	0.015	0.000	0.100		0.015	-
Item_7.2 Profile	Prof	0.006	0.000	0.100		0.006	-
Item_7.3 Profile	Prof	0.005	0.000	0.100		0.005	-
Item_32 Profile	Prof	0.151	0.000	0.150		0.151	0.001
Item_23 Profile	Prof	0.142	0.000	0.150		0.142	----
Item_45.1 Profile	Prof	0.089	0.000	0.100		0.089	----
Item_45.2 Profile	Prof	0.141	0.000	0.100		0.141	0.041
Item_50 Profile	Prof	0.163	0.000	0.300		0.163	---

Programme All Characteristics	Plan Name 3611840-1E	Date 2025-02-27	Temperature workpiece	Drawing No. 3611840-1 E
Incremental Part Number cav 1-4_2	Audit-No.:	Time 10:07:29 am	Operator Master	Revision Date



8 mm

Programme All Characteristics	Plan Name 3611840-1E	Date 2025-02-27	Temperature workpiece	Drawing No. 3611840-1 E
Incremental Part Number cav 1-4_2	Audit-No.:	Time 10:07:29 am	Operator Master	Revision Date



Item 45.1 Profile	
Act	0.050
Nom	0.000
Dev	0.050

Item 23 Profile	
Act	0.091
Nom	0.000
Dev	0.091

Item 45.2 Profile	
Act	0.062
Nom	0.000
Dev	0.062



8 mm



Plan Name  
3611840-1E

DATE  
2025-02-27

OT  
LD25-07E-129

Time  
10:13:25 am

Part Name  
ACTUADOR SSSW

Drawing No.  
3611840-1 E

Customer  
NIDEC

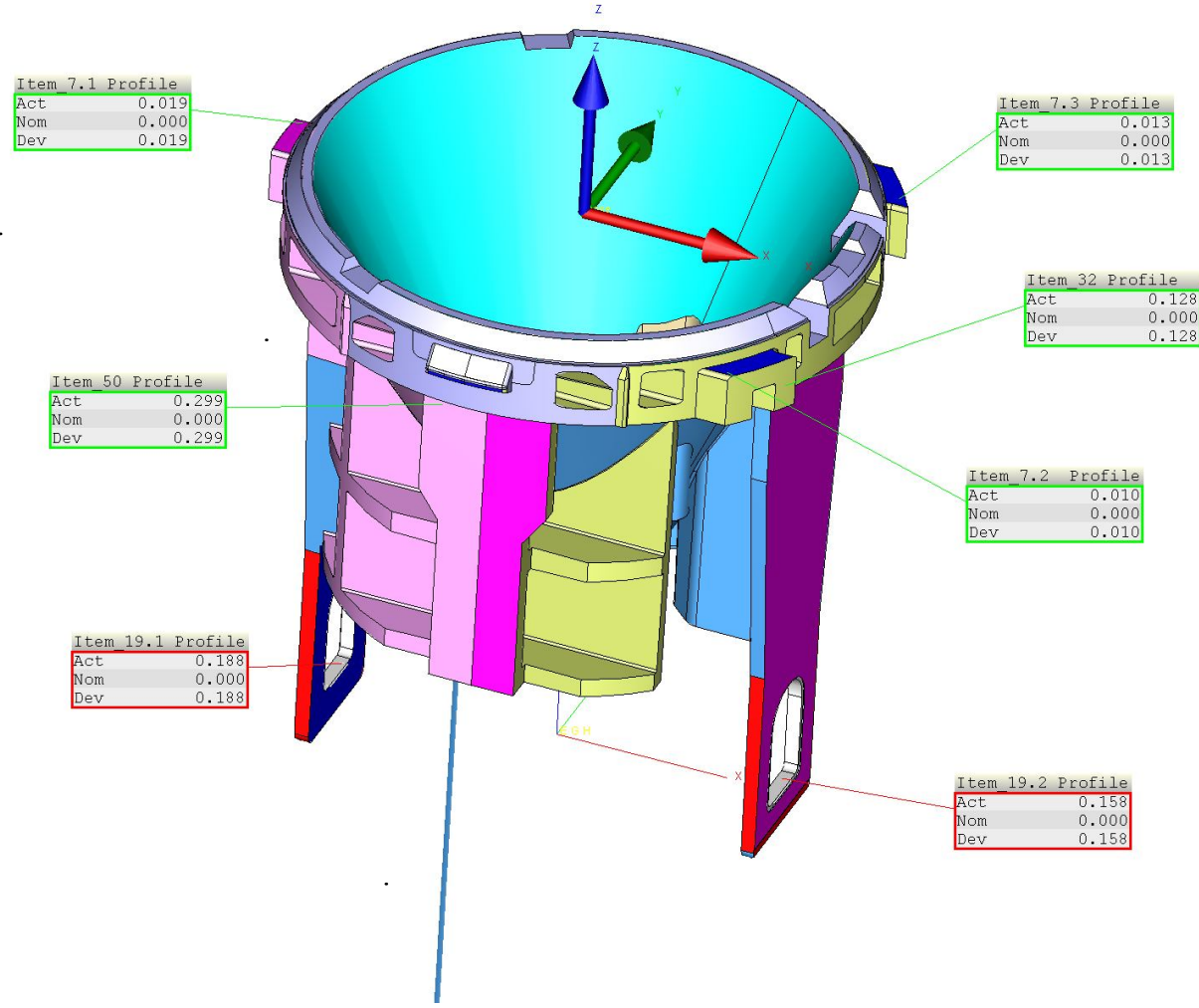
Metrologist  
Emmanuel Vizcaya

Length unit  
mm

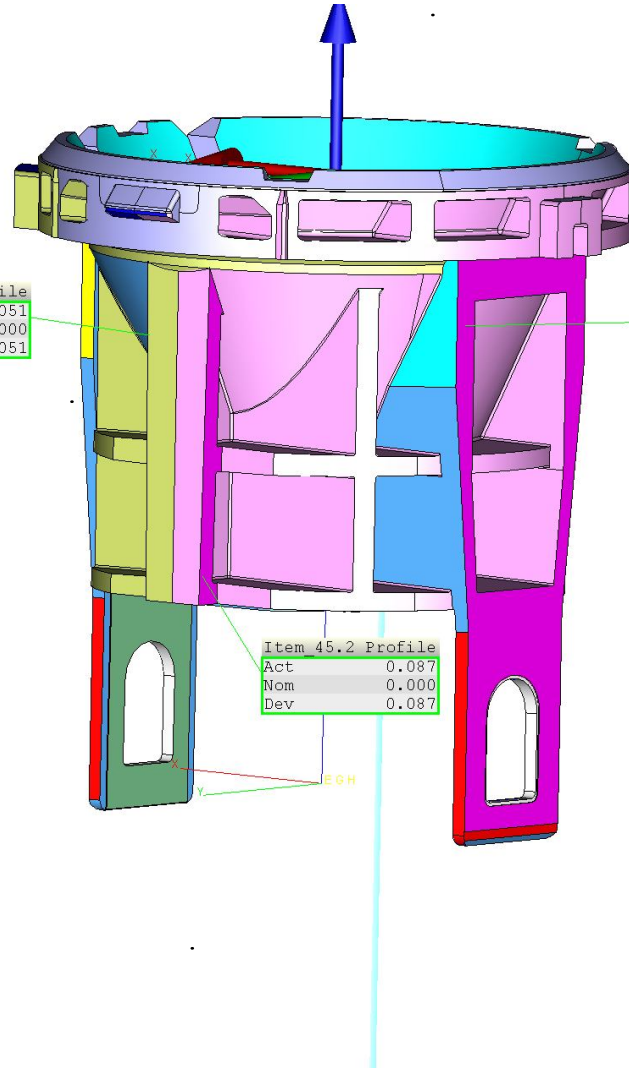
No. de pieza  
cav 1-4\_2

Name	ID	Actual	Nominal	pos Tol	neg Tol	Diff	<-- -->
Item_19.1 Profile	Prof	0.306	0.000	0.100		0.306	0.206
Item_19.2 Profile	Prof	0.137	0.000	0.100		0.137	0.037
Item_7.1 Profile	Prof	0.019	0.000	0.100		0.019	-
Item_7.2 Profile	Prof	0.015	0.000	0.100		0.015	-
Item_7.3 Profile	Prof	0.017	0.000	0.100		0.017	-
Item_32 Profile	Prof	0.194	0.000	0.150		0.194	0.044
Item_23 Profile	Prof	0.091	0.000	0.150		0.091	---
Item_45.1 Profile	Prof	0.050	0.000	0.100		0.050	--
Item_45.2 Profile	Prof	0.062	0.000	0.100		0.062	---
Item_50 Profile	Prof	0.086	0.000	0.300		0.086	--

Programme All Characteristics	Plan Name 3611840-1E	Date 2025-02-27	Temperature workpiece	Drawing No. 3611840-1 E
Incremental Part Number cav 2-4_1	Audit-No.:	Time 10:20:03 am	Operator Master	Revision Date



Programme All Characteristics	Plan Name 3611840-1E	Date 2025-02-27	Temperature workpiece	Drawing No. 3611840-1 E
Incremental Part Number cav 2-4_1	Audit-No.:	Time 10:20:03 am	Operator Master	Revision Date



Item 45.1 Profile	
Act	0.051
Nom	0.000
Dev	0.051

Item 23 Profile	
Act	0.138
Nom	0.000
Dev	0.138

Item 45.2 Profile	
Act	0.087
Nom	0.000
Dev	0.087



8 mm





Plan Name  
3611840-1E

DATE  
2025-02-27

OT  
LD25-07E-129

Time  
10:26:14 am

Part Name  
ACTUADOR SSSW

Drawing No.  
3611840-1 E

Customer  
NIDEC

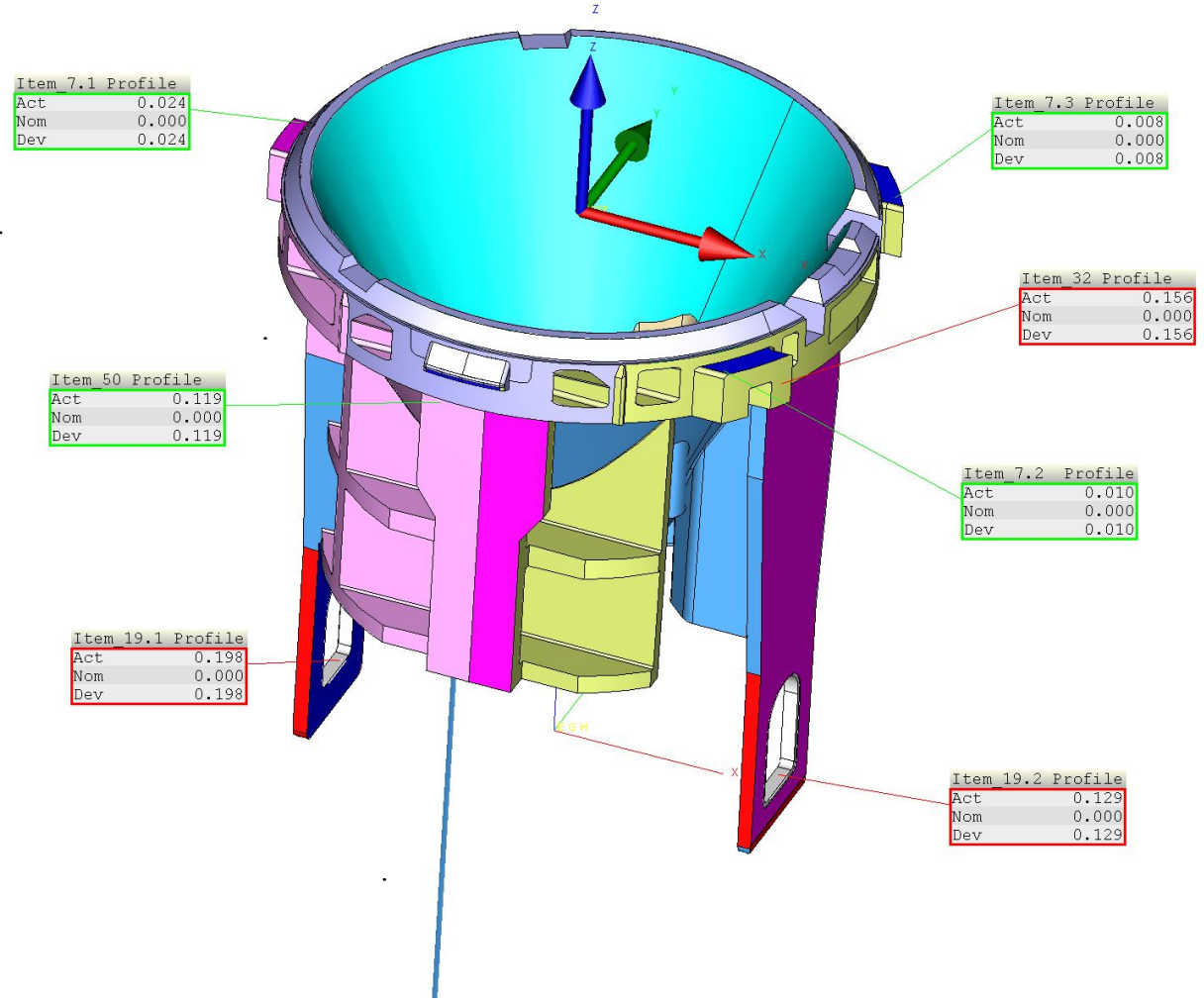
Metrologist  
Emmanuel Vizcaya

Length unit  
mm

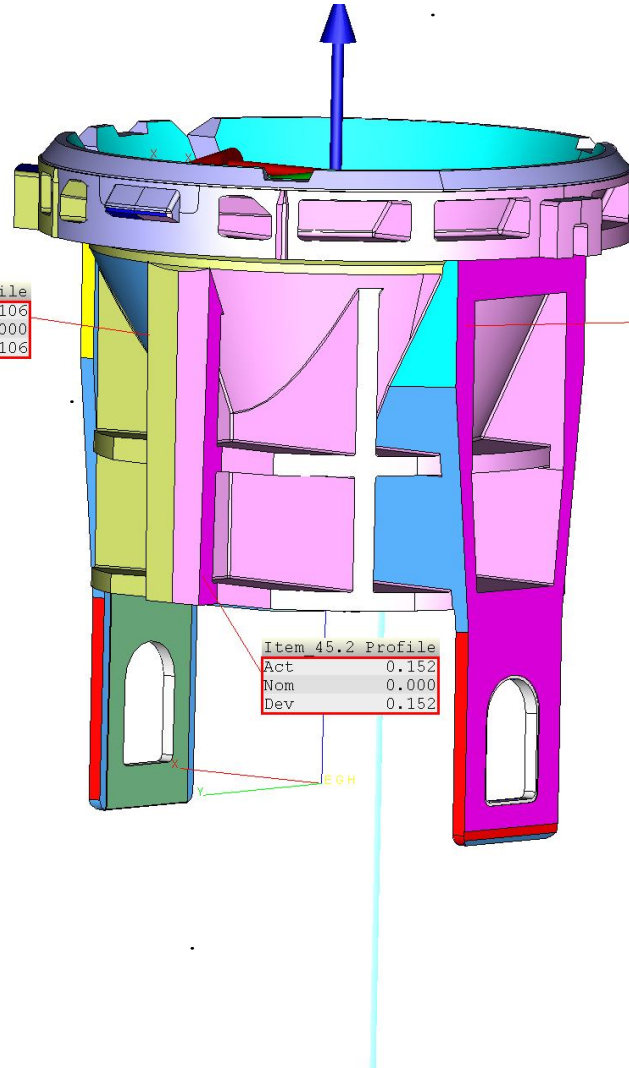
No. de pieza  
cav 2-4\_1

Name	ID	Actual	Nominal	pos Tol	neg Tol	Diff	<-- -->
Item_19.1 Profile	Prof	0.188	0.000	0.100		0.188	0.088
Item_19.2 Profile	Prof	0.158	0.000	0.100		0.158	0.058
Item_7.1 Profile	Prof	0.019	0.000	0.100		0.019	-
Item_7.2 Profile	Prof	0.010	0.000	0.100		0.010	-
Item_7.3 Profile	Prof	0.013	0.000	0.100		0.013	-
Item_32 Profile	Prof	0.128	0.000	0.150		0.128	----
Item_23 Profile	Prof	0.138	0.000	0.150		0.138	----
Item_45.1 Profile	Prof	0.051	0.000	0.100		0.051	---
Item_45.2 Profile	Prof	0.087	0.000	0.100		0.087	----
Item_50 Profile	Prof	0.299	0.000	0.300		0.299	----

Programme All Characteristics	Plan Name 3611840-1E	Date 2025-02-27	Temperature workpiece	Drawing No. 3611840-1 E
Incremental Part Number cav 2-4_2	Audit-No.:	Time 10:35:06 am	Operator Master	Revision Date



Programme All Characteristics	Plan Name 3611840-1E	Date 2025-02-27	Temperature workpiece	Drawing No. 3611840-1 E
Incremental Part Number cav 2-4_2	Audit-No.:	Time 10:35:06 am	Operator Master	Revision Date



Item 45.1 Profile	
Act	0.106
Nom	0.000
Dev	0.106

Item 23 Profile	
Act	0.157
Nom	0.000
Dev	0.157

Item 45.2 Profile	
Act	0.152
Nom	0.000
Dev	0.152

EGH



8 mm



Plan Name  
3611840-1E

DATE  
2025-02-27

OT  
LD25-07E-129

Time  
10:41:35 am

Part Name  
ACTUADOR SSSW

Drawing No.  
3611840-1 E

Customer  
NIDEC

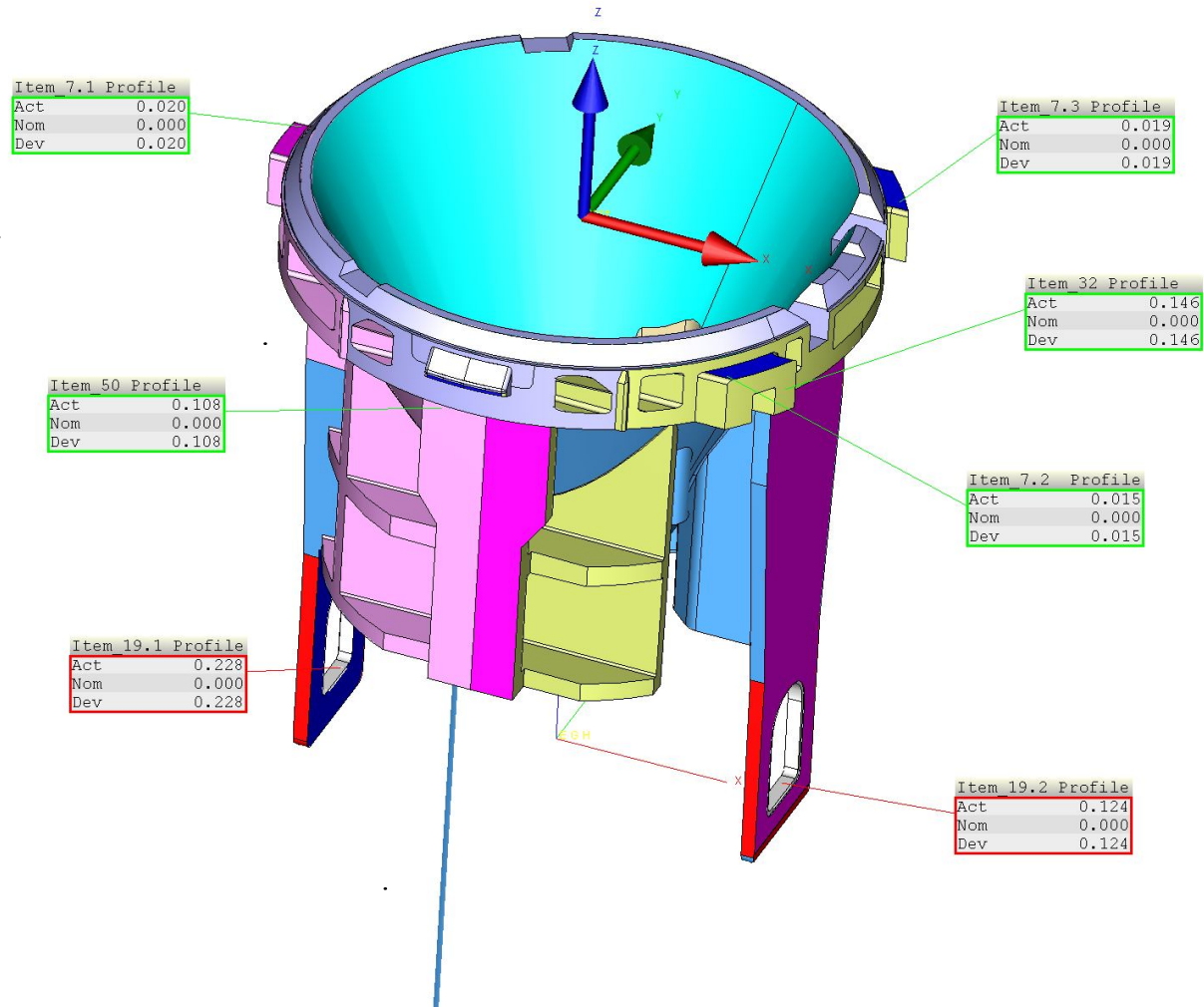
Metrologist  
Emmanuel Vizcaya

Length unit  
mm

No. de pieza  
cav 2-4\_2

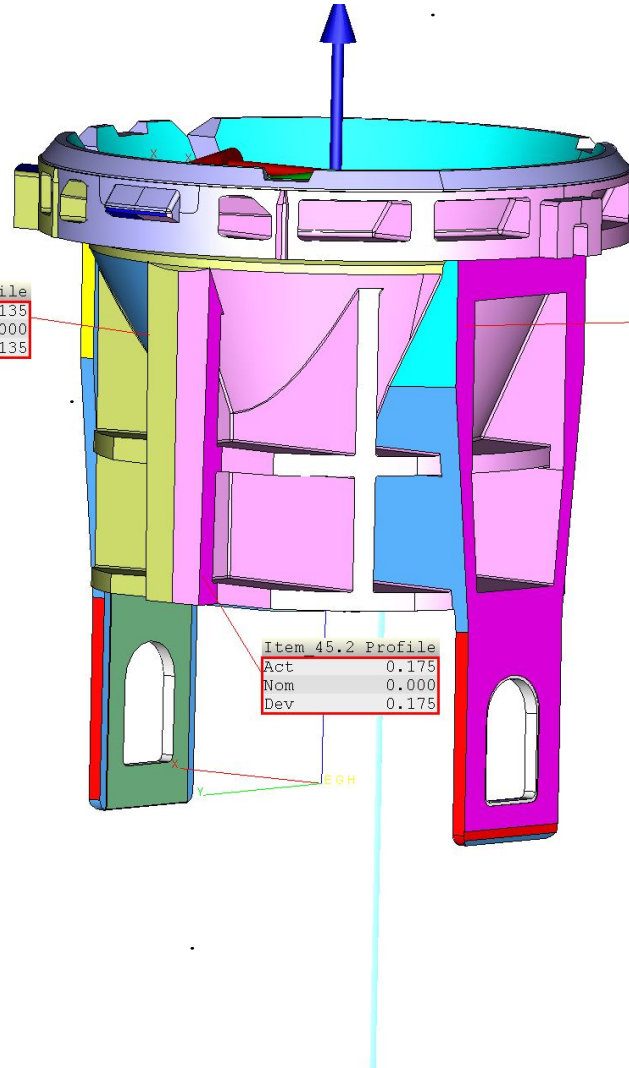
Name	ID	Actual	Nominal	pos Tol	neg Tol	Diff	<-- -->
Item_19.1 Profile	Prof	0.198	0.000	0.100		0.198	0.098
Item_19.2 Profile	Prof	0.129	0.000	0.100		0.129	0.029
Item_7.1 Profile	Prof	0.024	0.000	0.100		0.024	-
Item_7.2 Profile	Prof	0.010	0.000	0.100		0.010	-
Item_7.3 Profile	Prof	0.008	0.000	0.100		0.008	-
Item_32 Profile	Prof	0.156	0.000	0.150		0.156	0.006
Item_23 Profile	Prof	0.157	0.000	0.150		0.157	0.007
Item_45.1 Profile	Prof	0.106	0.000	0.100		0.106	0.006
Item_45.2 Profile	Prof	0.152	0.000	0.100		0.152	0.052
Item_50 Profile	Prof	0.119	0.000	0.300		0.119	-

Programme All Characteristics	Plan Name 3611840-1E	Date 2025-02-27	Temperature workpiece	Drawing No. 3611840-1 E
Incremental Part Number cav 3-4_1	Audit-No.:	Time 10:45:56 am	Operator Master	Revision Date



8 mm

Programme All Characteristics	Plan Name 3611840-1E	Date 2025-02-27	Temperature workpiece	Drawing No. 3611840-1 E
Incremental Part Number cav 3-4_1	Audit-No.:	Time 10:45:56 am	Operator Master	Revision Date



Item 45.1 Profile	
Act	0.135
Nom	0.000
Dev	0.135

Item 23 Profile	
Act	0.163
Nom	0.000
Dev	0.163

Item 45.2 Profile	
Act	0.175
Nom	0.000
Dev	0.175

EGH



8 mm



Plan Name  
3611840-1E

DATE  
2025-02-27

OT  
LD25-07E-129

Time  
10:52:11 am

Part Name  
ACTUADOR SSSW

Drawing No.  
3611840-1 E

Customer  
NIDEC

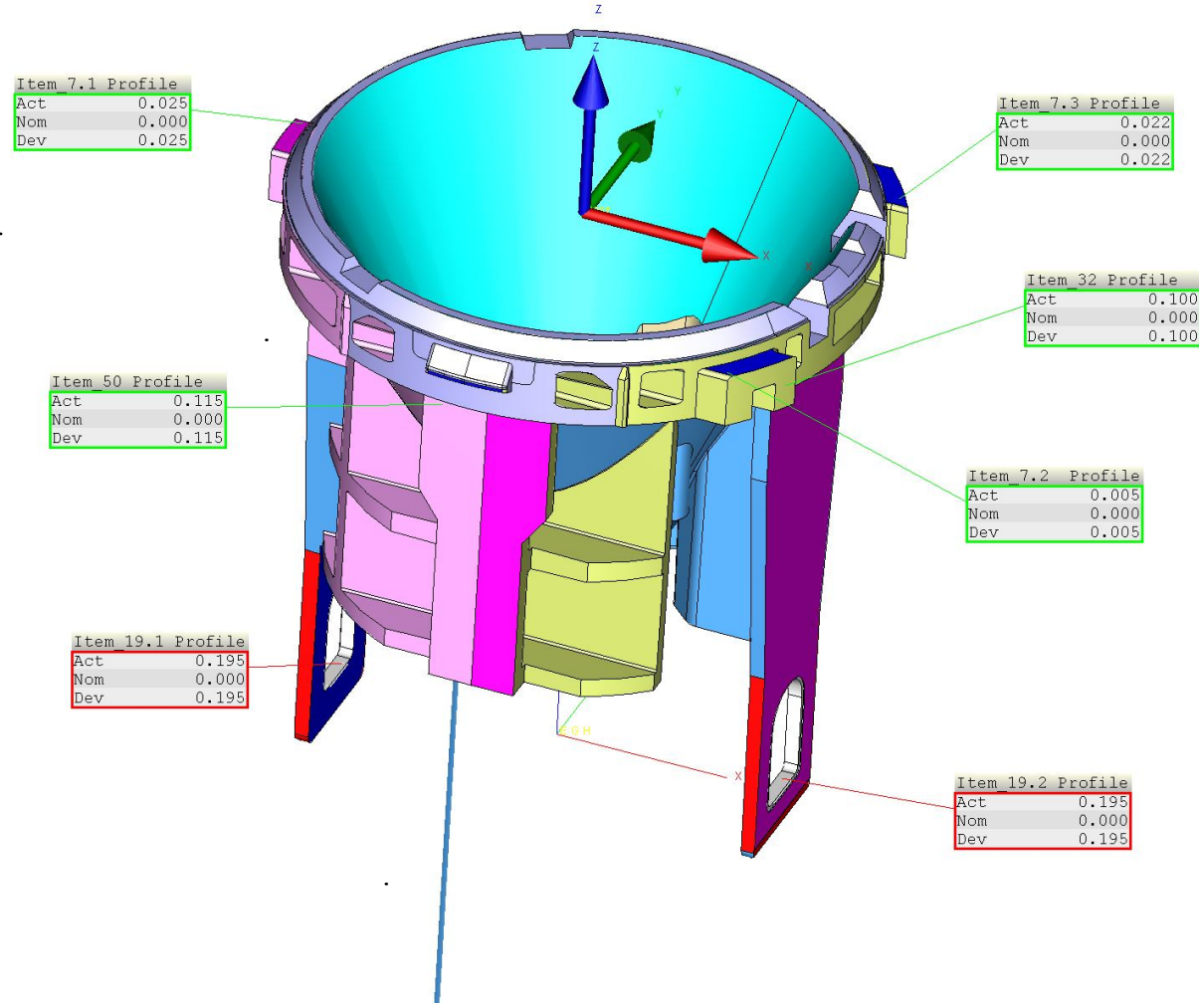
Metrologist  
Emmanuel Vizcaya

Length unit  
mm

No. de pieza  
cav 3-4\_1

Name	ID	Actual	Nominal	pos Tol	neg Tol	Diff	<-- -->
Item_19.1 Profile	Prof	0.228	0.000	0.100		0.228	0.128
Item_19.2 Profile	Prof	0.124	0.000	0.100		0.124	0.024
Item_7.1 Profile	Prof	0.020	0.000	0.100		0.020	-
Item_7.2 Profile	Prof	0.015	0.000	0.100		0.015	-
Item_7.3 Profile	Prof	0.019	0.000	0.100		0.019	-
Item_32 Profile	Prof	0.146	0.000	0.150		0.146	----
Item_23 Profile	Prof	0.163	0.000	0.150		0.163	0.013
Item_45.1 Profile	Prof	0.135	0.000	0.100		0.135	0.035
Item_45.2 Profile	Prof	0.175	0.000	0.100		0.175	0.075
Item_50 Profile	Prof	0.108	0.000	0.300		0.108	--

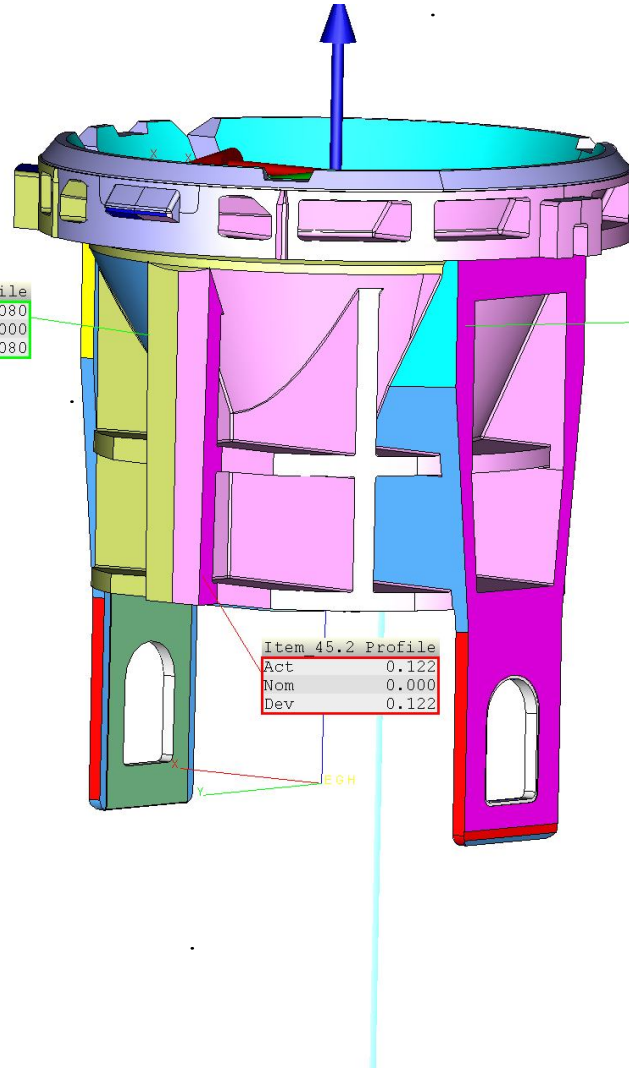
Programme All Characteristics	Plan Name 3611840-1E	Date 2025-02-27	Temperature workpiece	Drawing No. 3611840-1 E
Incremental Part Number cav 3-4_2	Audit-No.:	Time 10:55:13 am	Operator Master	Revision Date



8 mm



Programme All Characteristics	Plan Name 3611840-1E	Date 2025-02-27	Temperature workpiece	Drawing No. 3611840-1 E
Incremental Part Number cav 3-4_2	Audit-No.:	Time 10:55:13 am	Operator Master	Revision Date



Item 45.1 Profile	
Act	0.080
Nom	0.000
Dev	0.080

Item 23 Profile	
Act	0.139
Nom	0.000
Dev	0.139

Item 45.2 Profile	
Act	0.122
Nom	0.000
Dev	0.122

EGH



8 mm



Plan Name  
3611840-1E

DATE  
2025-02-27

OT  
LD25-07E-129

Time  
11:01:12 am

Part Name  
ACTUADOR SSSW

Drawing No.  
3611840-1 E

Customer  
NIDEC

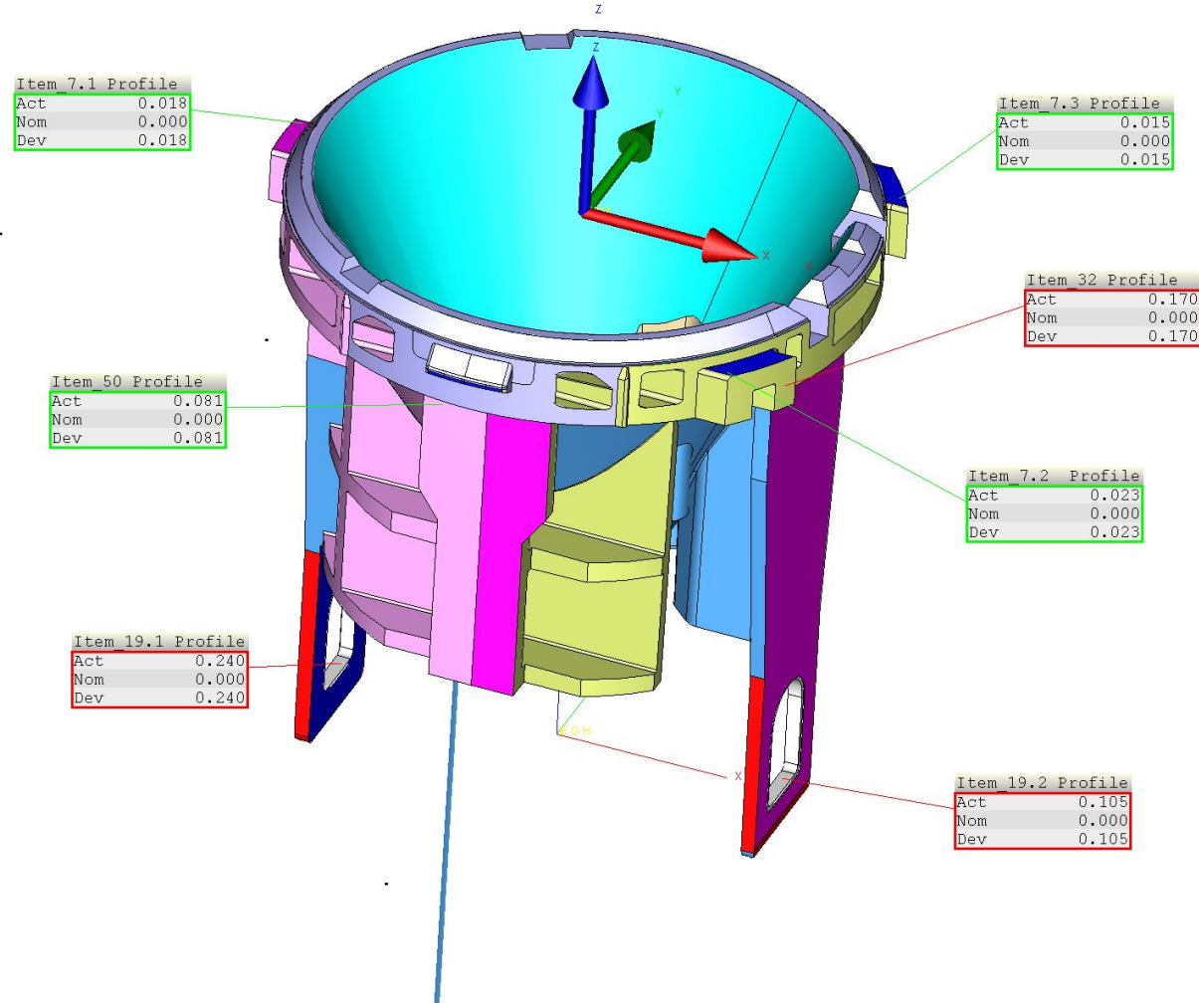
Metrologist  
Emmanuel Vizcaya

Length unit  
mm

No. de pieza  
cav 3-4\_2

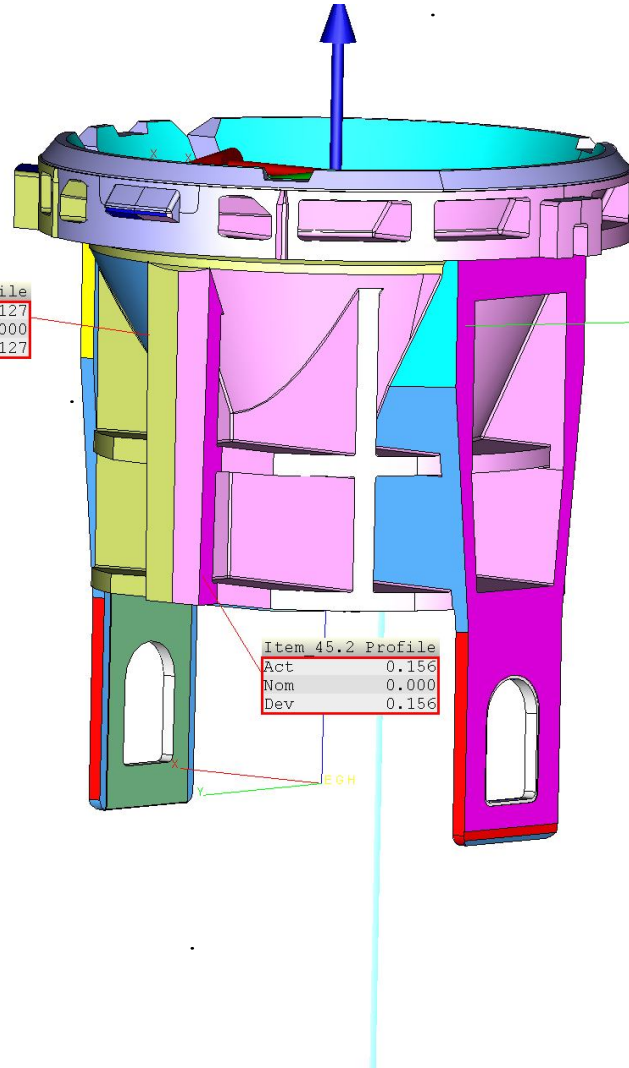
Name	ID	Actual	Nominal	pos Tol	neg Tol	Diff	<-- -->
Item_19.1 Profile	Prof	0.195	0.000	0.100		0.195	0.095
Item_19.2 Profile	Prof	0.195	0.000	0.100		0.195	0.095
Item_7.1 Profile	Prof	0.025	0.000	0.100		0.025	-
Item_7.2 Profile	Prof	0.005	0.000	0.100		0.005	-
Item_7.3 Profile	Prof	0.022	0.000	0.100		0.022	-
Item_32 Profile	Prof	0.100	0.000	0.150		0.100	---
Item_23 Profile	Prof	0.139	0.000	0.150		0.139	----
Item_45.1 Profile	Prof	0.080	0.000	0.100		0.080	----
Item_45.2 Profile	Prof	0.122	0.000	0.100		0.122	0.022
Item_50 Profile	Prof	0.115	0.000	0.300		0.115	--

Programme All Characteristics	Plan Name 3611840-1E	Date 2025-02-27	Temperature workpiece	Drawing No. 3611840-1 E
Incremental Part Number cav 4-4_1	Audit-No.:	Time 11:09:57 am	Operator Master	Revision Date



8 mm

Programme All Characteristics	Plan Name 3611840-1E	Date 2025-02-27	Temperature workpiece	Drawing No. 3611840-1 E
Incremental Part Number cav 4-4_1	Audit-No.:	Time 11:09:57 am	Operator Master	Revision Date



Item 45.1 Profile	
Act	0.127
Nom	0.000
Dev	0.127

Item 23 Profile	
Act	0.147
Nom	0.000
Dev	0.147

Item 45.2 Profile	
Act	0.156
Nom	0.000
Dev	0.156

EGH



8 mm



Plan Name  
3611840-1E

DATE  
2025-02-27

OT  
LD25-07E-129

Time  
11:15:53 am

Part Name  
ACTUADOR SSSW

Drawing No.  
3611840-1 E

Customer  
NIDEC

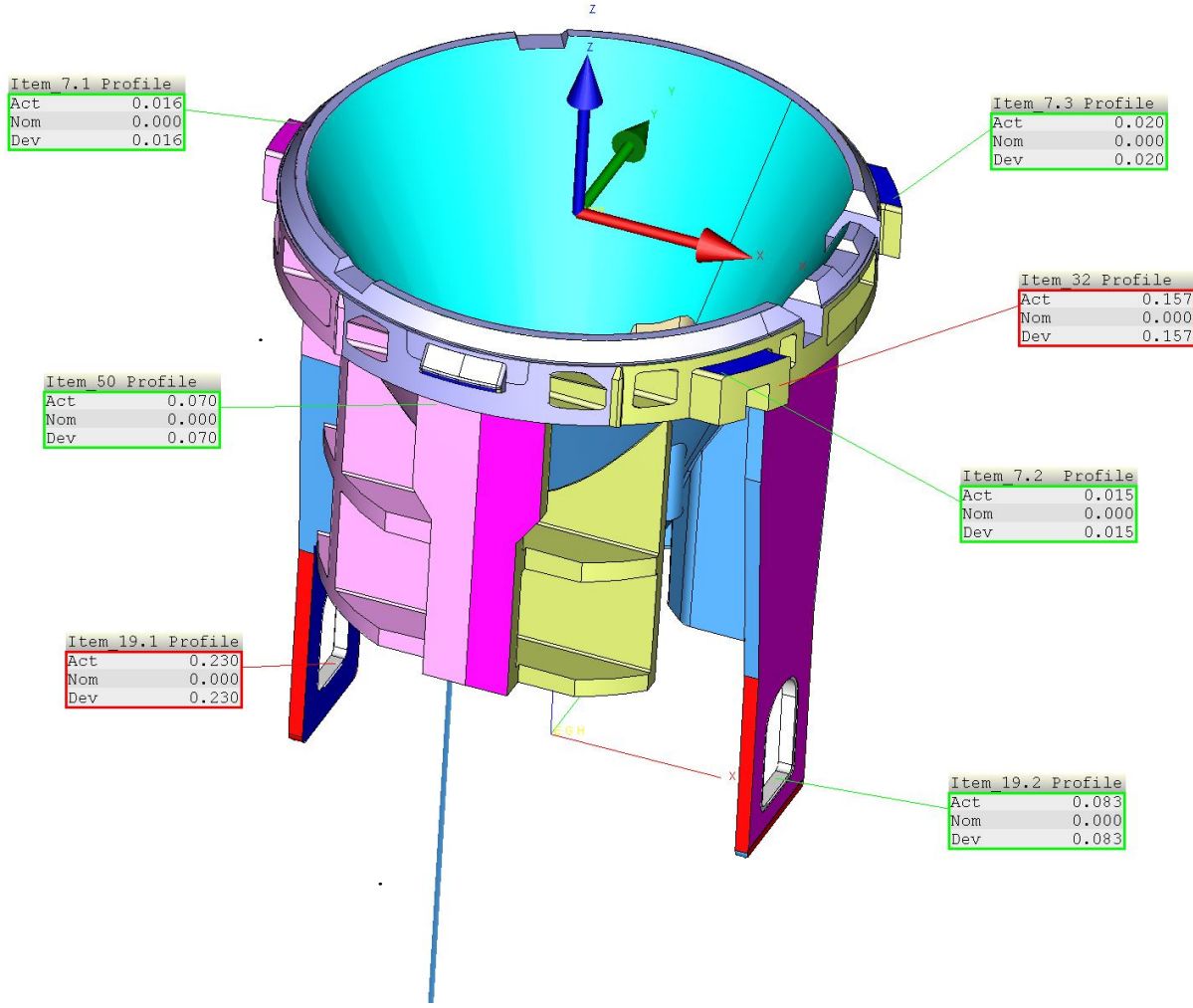
Metrologist  
Emmanuel Vizcaya

Length unit  
mm

No. de pieza  
cav 4-4\_1

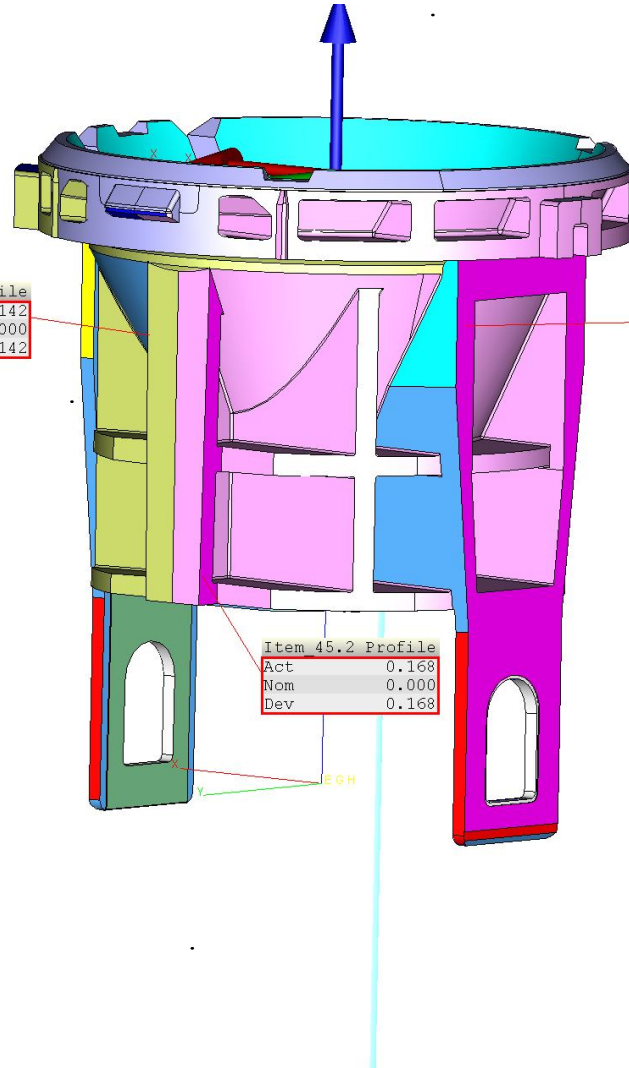
Name	ID	Actual	Nominal	pos Tol	neg Tol	Diff	<-- -->
Item_19.1 Profile	Prof	0.240	0.000	0.100		0.240	0.140
Item_19.2 Profile	Prof	0.105	0.000	0.100		0.105	0.005
Item_7.1 Profile	Prof	0.018	0.000	0.100		0.018	-
Item_7.2 Profile	Prof	0.023	0.000	0.100		0.023	-
Item_7.3 Profile	Prof	0.015	0.000	0.100		0.015	-
Item_32 Profile	Prof	0.170	0.000	0.150		0.170	0.020
Item_23 Profile	Prof	0.147	0.000	0.150		0.147	---
Item_45.1 Profile	Prof	0.127	0.000	0.100		0.127	0.027
Item_45.2 Profile	Prof	0.156	0.000	0.100		0.156	0.056
Item_50 Profile	Prof	0.081	0.000	0.300		0.081	--

Programme All Characteristics	Plan Name 3611840-1E	Date 2025-02-27	Temperature workpiece	Drawing No. 3611840-1 E
Incremental Part Number cav 4-4_2	Audit-No.:	Time 11:26:22 am	Operator Master	Revision Date



8 mm

Programme All Characteristics	Plan Name 3611840-1E	Date 2025-02-27	Temperature workpiece	Drawing No. 3611840-1 E
Incremental Part Number cav 4-4_2	Audit-No.:	Time 11:26:22 am	Operator Master	Revision Date



Item 45.1 Profile	
Act	0.142
Nom	0.000
Dev	0.142

Item 23 Profile	
Act	0.162
Nom	0.000
Dev	0.162

Item 45.2 Profile	
Act	0.168
Nom	0.000
Dev	0.168



8 mm



Plan Name  
3611840-1E

DATE  
2025-02-27

OT  
LD25-07E-129

Time  
11:32:17 am

Part Name  
ACTUADOR SSSW

Drawing No.  
3611840-1 E

Customer  
NIDEC

Metrologist  
Emmanuel Vizcaya

Length unit  
mm

No. de pieza  
cav 4-4\_2

Name	ID	Actual	Nominal	pos Tol	neg Tol	Diff	<-- -->
Item_19.1 Profile	Prof	0.230	0.000	0.100		0.230	0.130
Item_19.2 Profile	Prof	0.083	0.000	0.100		0.083	----
Item_7.1 Profile	Prof	0.016	0.000	0.100		0.016	-
Item_7.2 Profile	Prof	0.015	0.000	0.100		0.015	-
Item_7.3 Profile	Prof	0.020	0.000	0.100		0.020	-
Item_32 Profile	Prof	0.157	0.000	0.150		0.157	0.007
Item_23 Profile	Prof	0.162	0.000	0.150		0.162	0.012
Item_45.1 Profile	Prof	0.142	0.000	0.100		0.142	0.042
Item_45.2 Profile	Prof	0.168	0.000	0.100		0.168	0.068
Item_50 Profile	Prof	0.070	0.000	0.300		0.070	-