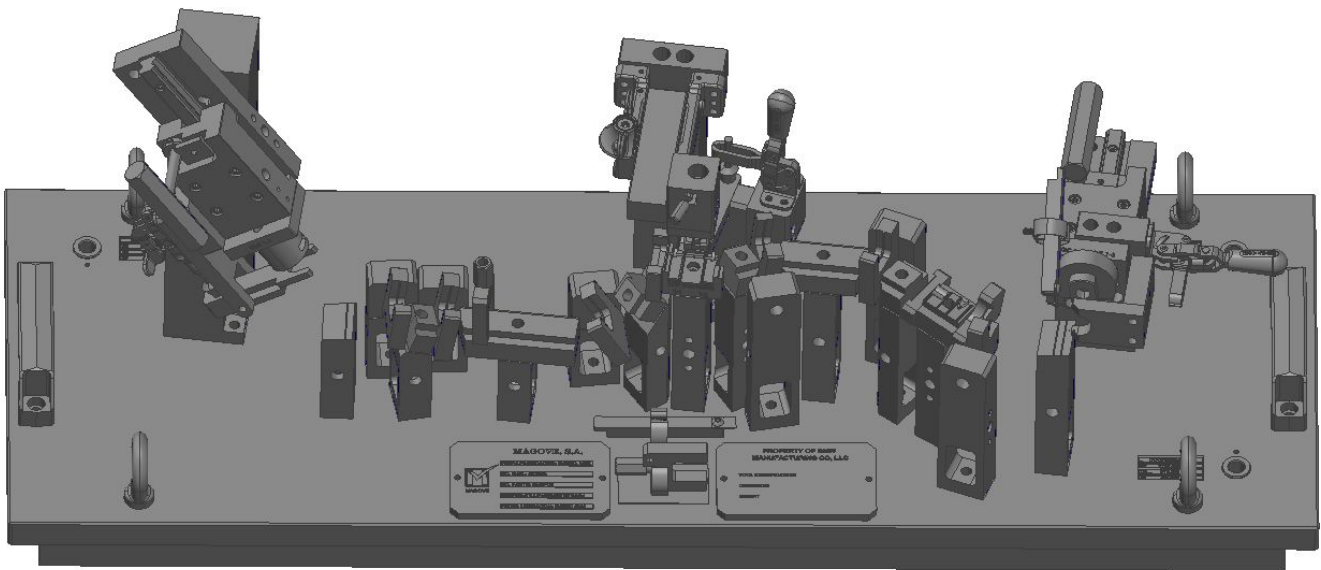


# MEASUREMENT REPORT

as objects 1



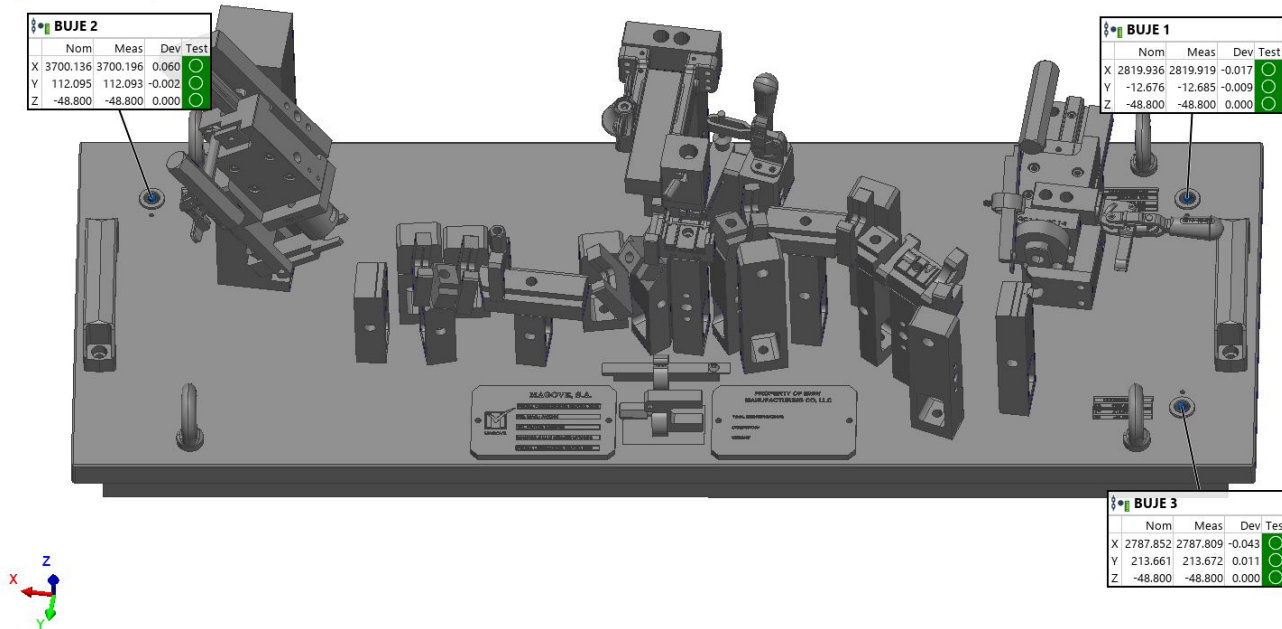
Customer: MAGOVE  
 Operator: Felipe Martinez  
 E-mail: felipe.martinez@mess.com.mx  
 Workspace: PROGRAMA DE MEDICION AVX  
 Project: AVX086\_5 A69 FD8 - piece 1

Part name: AVX086  
 Part number: 5 A69 FD8  
 Drawing : S/R  
 Device: MESS-BRAA-005



world

best-fit meas objects 1



## Feature Table

Length Units    Millimeters

### • BUJE 1

Control	Nom	Meas	Tol	Dev	Test
X	2819.936	2819.919	±0.100	-0.017	Pass
Y	-12.676	-12.685	±0.100	-0.009	Pass
Z	-48.800	-48.800	±0.100	0.000	Pass

### • BUJE 2

Control	Nom	Meas	Tol	Dev	Test
X	3700.136	3700.196	±0.100	0.060	Pass
Y	112.095	112.093	±0.100	-0.002	Pass
Z	-48.800	-48.800	±0.100	0.000	Pass

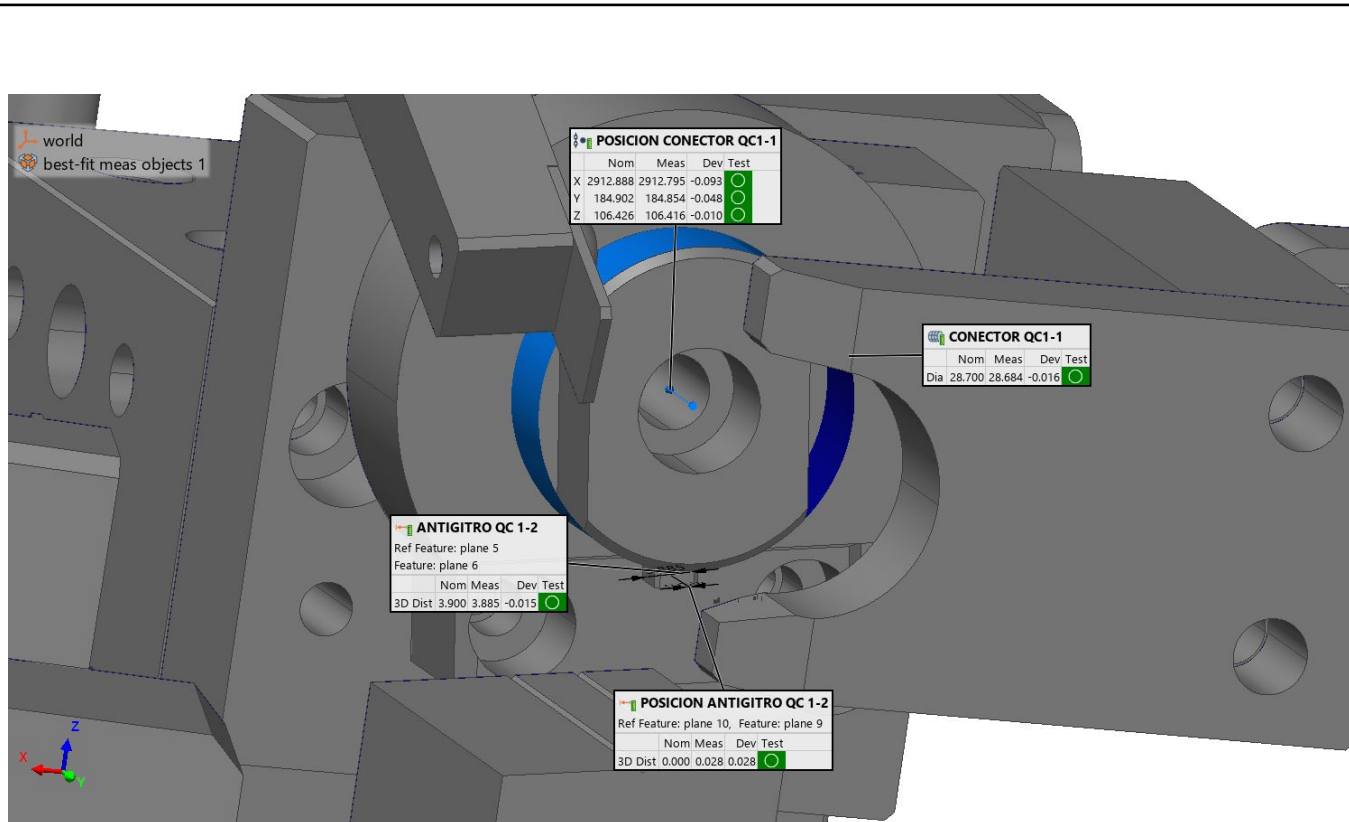
### • BUJE 3

Control	Nom	Meas	Tol	Dev	Test
X	2787.852	2787.809	±0.100	-0.043	Pass
Y	213.661	213.672	±0.100	0.011	Pass
Z	-48.800	-48.800	±0.100	0.000	Pass

Customer:    MAGOVE  
Operator:    Felipe Martinez  
E-mail:      felipe.martinez@mess.com.mx

Part name:    AVX086  
Part number:  5 A69 FD8  
Piece:        piece 1





## Feature Table

Length Units Millimeters

### CONECTOR QC1-1

Control	Nom	Meas	Tol	Dev	Test
Diameter	28.700	28.684	0.000/-0.050	-0.016	Pass

### • POSICION CONECTOR QC1-1

Control	Nom	Meas	Tol	Dev	Test
X	2912.888	2912.795	±0.100	-0.093	Pass
Y	184.902	184.854	±0.100	-0.048	Pass
Z	106.426	106.416	±0.100	-0.010	Pass

### ANTIGITRO QC 1-2

Feature: plane 6, Ref Feature: plane 5

Control	Nom	Meas	Tol	Dev	Test
3D Distance	3.900	3.885	0.000/-0.050	-0.015	Pass

### POSICION ANTIGITRO QC 1-2

Feature: plane 9, Ref Feature: plane 10

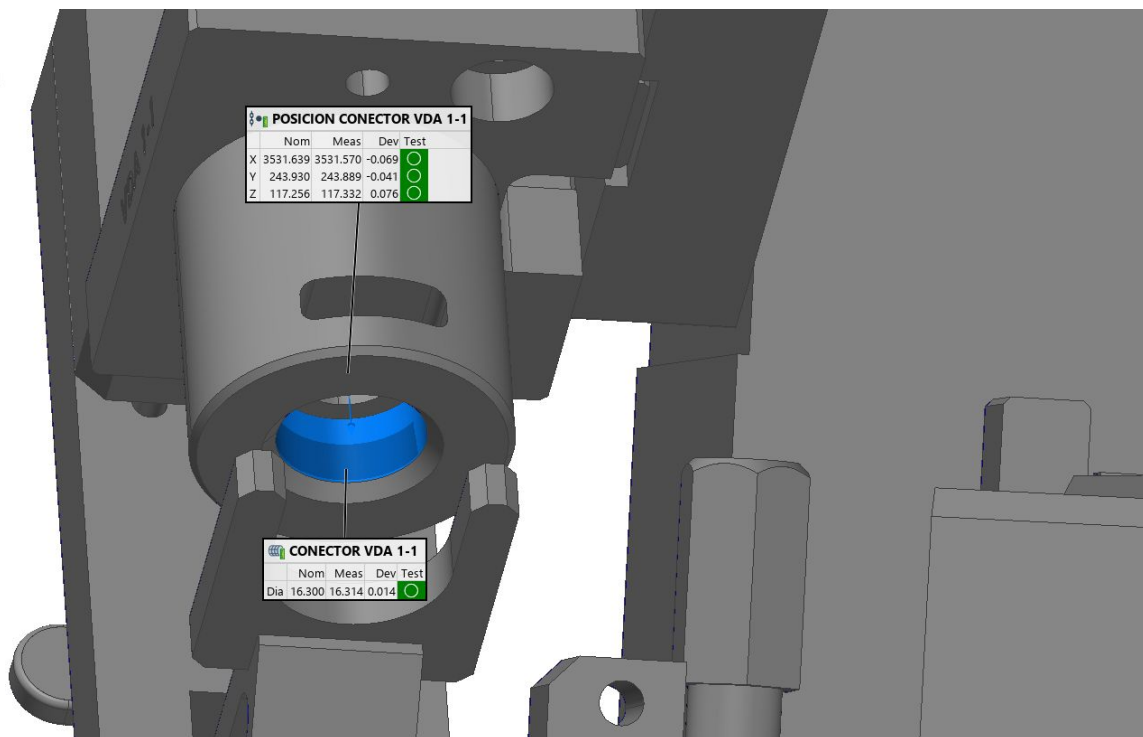
Control	Nom	Meas	Tol	Dev	Test
3D Distance	0.000	0.028	±0.100	0.028	Pass

Customer: MAGOVE  
Operator: Felipe Martinez  
E-mail: felipe.martinez@mess.com.mx

Part name: AVX086  
Part number: 5 A69 FD8  
Piece: piece 1



world  
best-fit meas objects 1



## Feature Table

Length Units Millimeters

### CONECTOR VDA 1-1

Control	Nom	Meas	Tol	Dev	Test
Diameter	16.300	16.314	+0.050/0.000	0.014	Pass

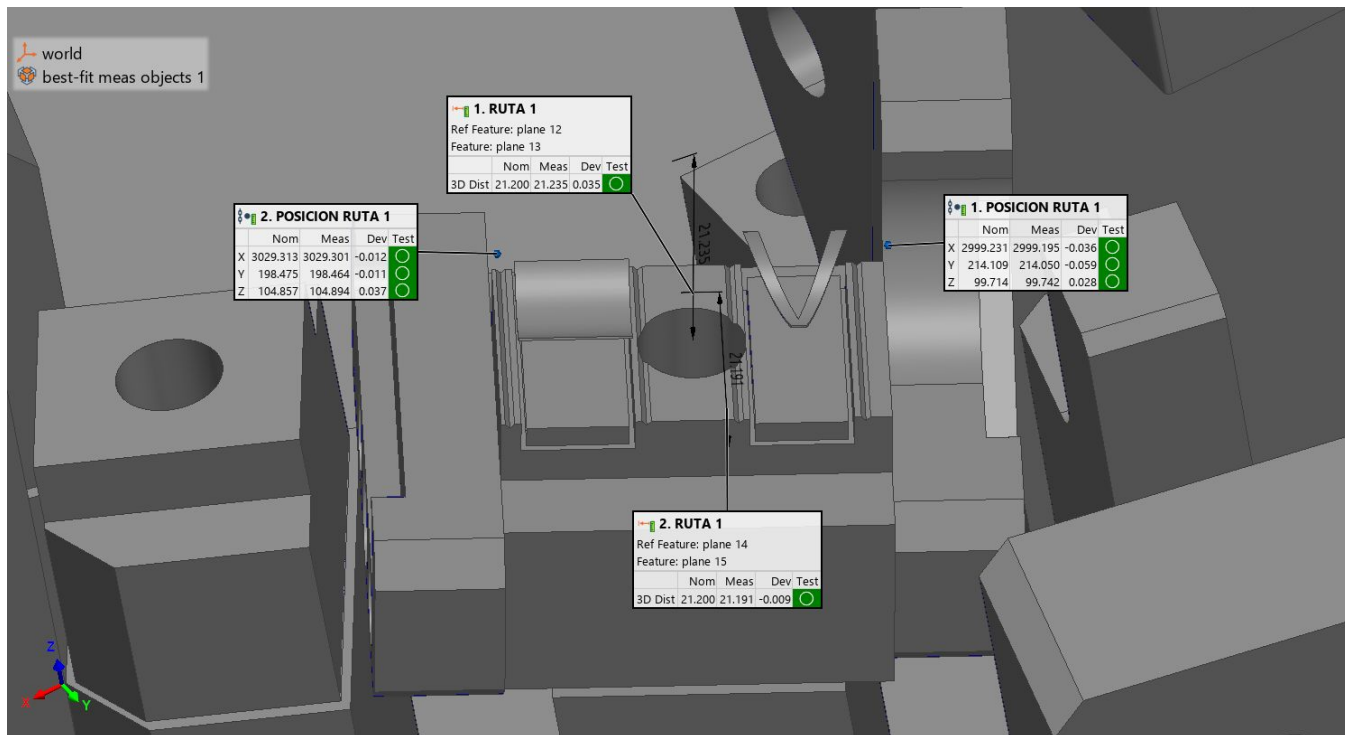
### • POSICION CONECTOR VDA 1-1

Control	Nom	Meas	Tol	Dev	Test
X	3531.639	3531.570	±0.100	-0.069	Pass
Y	243.930	243.889	±0.100	-0.041	Pass
Z	117.256	117.332	±0.100	0.076	Pass

Customer: MAGOVE  
Operator: Felipe Martinez  
E-mail: felipe.martinez@mess.com.mx

Part name: AVX086  
Part number: 5 A69 FD8  
Piece: piece 1





## Feature Table

Length Units Millimeters

### 1. RUTA 1 Feature: plane 13, Ref Feature: plane 12

Control	Nom	Meas	Tol	Dev	Test
3D Distance	21.200	21.235	±0.100	0.035	Pass

### 2. RUTA 1 Feature: plane 15, Ref Feature: plane 14

Control	Nom	Meas	Tol	Dev	Test
3D Distance	21.200	21.191	±0.100	-0.009	Pass

#### 1. POSICION RUTA 1

Control	Nom	Meas	Tol	Dev	Test
X	2999.231	2999.195	±0.150	-0.036	Pass
Y	214.109	214.050	±0.150	-0.059	Pass
Z	99.714	99.742	±0.150	0.028	Pass

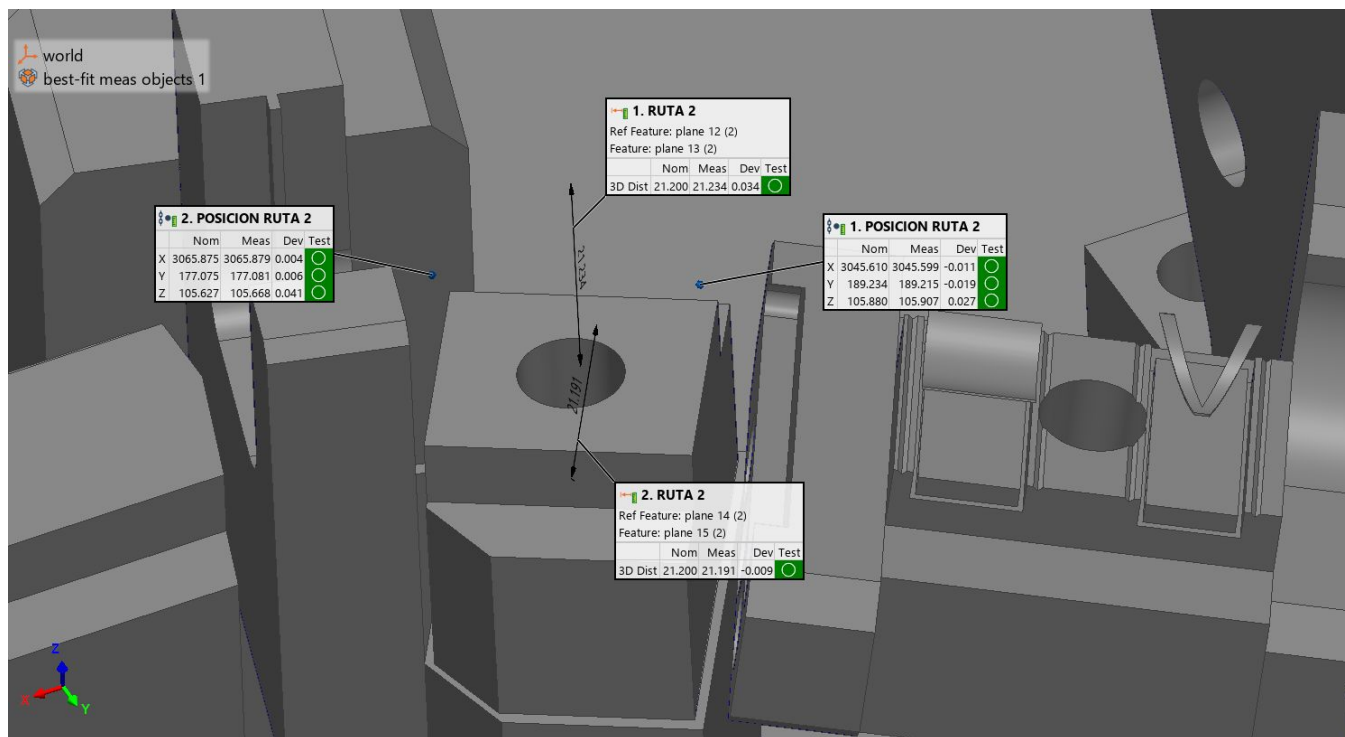
#### 2. POSICION RUTA 1

Control	Nom	Meas	Tol	Dev	Test
X	3029.313	3029.301	±0.150	-0.012	Pass
Y	198.475	198.464	±0.150	-0.011	Pass
Z	104.857	104.894	±0.150	0.037	Pass

Customer: MAGOVE  
Operator: Felipe Martinez  
E-mail: felipe.martinez@mess.com.mx

Part name: AVX086  
Part number: 5 A69 FD8  
Piece: piece 1





## Feature Table

Length Units Millimeters

### 1. RUTA 2 Feature: plane 13 (2), Ref Feature: plane 12 (2)

Control	Nom	Meas	Tol	Dev	Test
3D Distance	21.200	21.234	±0.100	0.034	Pass

### 2. RUTA 2 Feature: plane 15 (2), Ref Feature: plane 14 (2)

Control	Nom	Meas	Tol	Dev	Test
3D Distance	21.200	21.191	±0.100	-0.009	Pass

#### 1. POSICION RUTA 2

Control	Nom	Meas	Tol	Dev	Test
X	3045.610	3045.599	±0.150	-0.011	Pass
Y	189.234	189.215	±0.150	-0.019	Pass
Z	105.880	105.907	±0.150	0.027	Pass

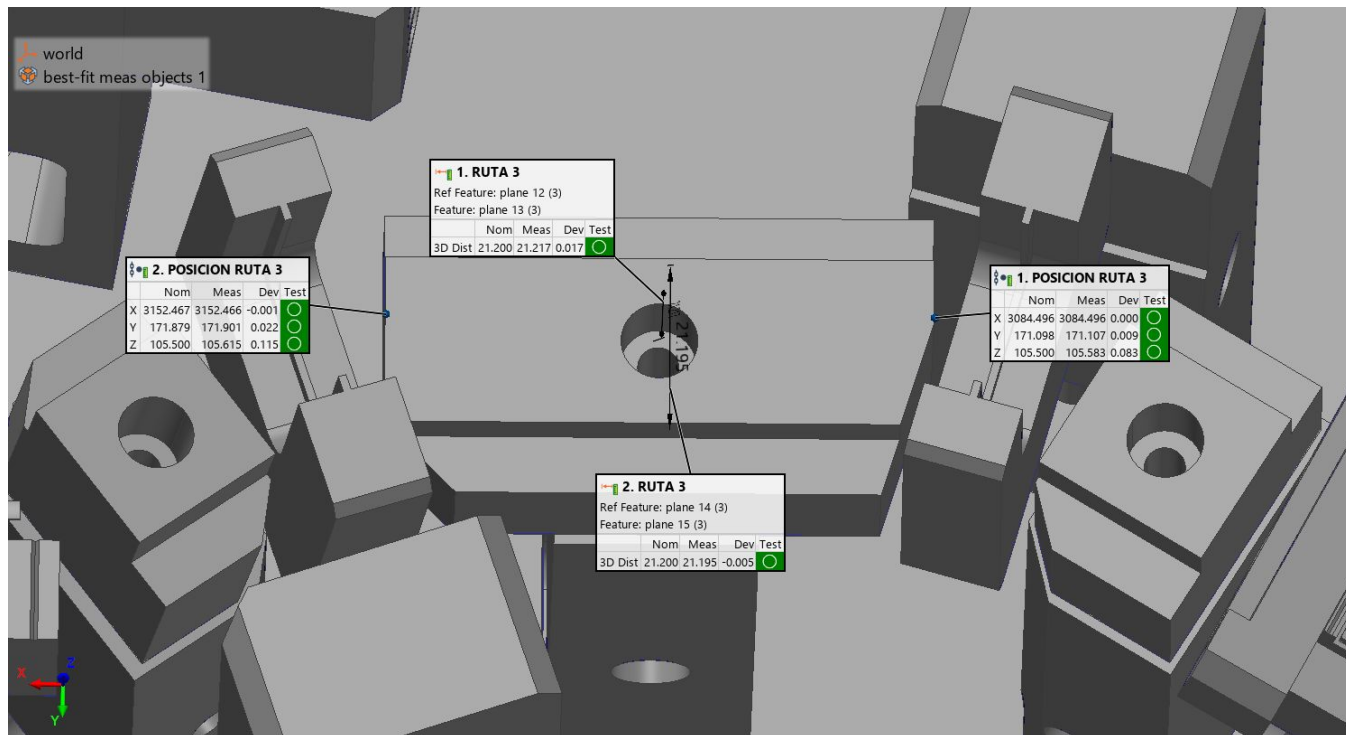
#### 2. POSICION RUTA 2

Control	Nom	Meas	Tol	Dev	Test
X	3065.875	3065.879	±0.150	0.004	Pass
Y	177.075	177.081	±0.150	0.006	Pass
Z	105.627	105.668	±0.150	0.041	Pass

Customer: MAGOVE  
Operator: Felipe Martinez  
E-mail: felipe.martinez@mess.com.mx

Part name: AVX086  
Part number: 5 A69 FD8  
Piece: piece 1





## Feature Table

Length Units Millimeters

### 1. RUTA 3 Feature: plane 13 (3), Ref Feature: plane 12 (3)

Control	Nom	Meas	Tol	Dev	Test
3D Distance	21.200	21.217	±0.100	0.017	Pass

### 2. RUTA 3 Feature: plane 15 (3), Ref Feature: plane 14 (3)

Control	Nom	Meas	Tol	Dev	Test
3D Distance	21.200	21.195	±0.100	-0.005	Pass

#### 1. POSICION RUTA 3

Control	Nom	Meas	Tol	Dev	Test
X	3084.496	3084.496	±0.150	0.000	Pass
Y	171.098	171.107	±0.150	0.009	Pass
Z	105.500	105.583	±0.150	0.083	Pass

#### 2. POSICION RUTA 3

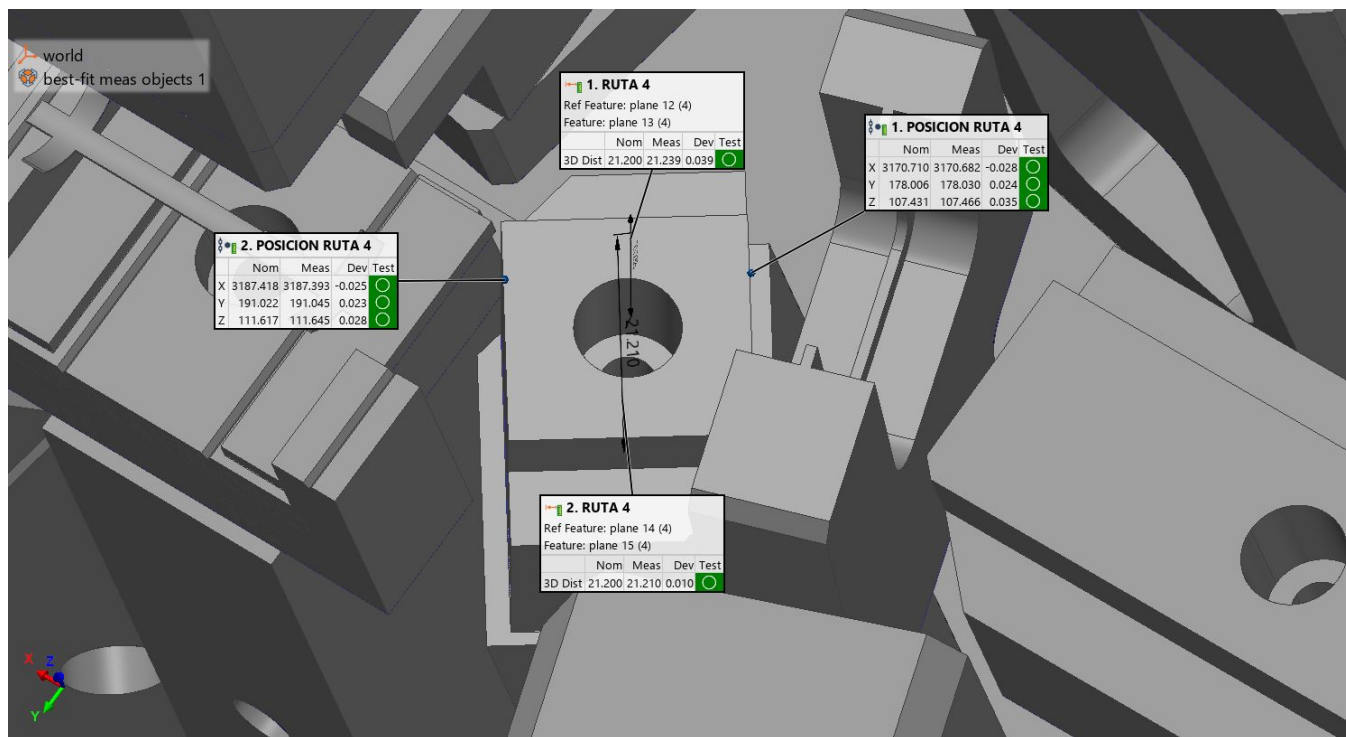
Control	Nom	Meas	Tol	Dev	Test
X	3152.467	3152.466	±0.150	-0.001	Pass
Y	171.879	171.901	±0.150	0.022	Pass
Z	105.500	105.615	±0.150	0.115	Pass

Customer: MAGOVE  
Operator: Felipe Martinez  
E-mail: felipe.martinez@mess.com.mx

Part name: AVX086  
Part number: 5 A69 FD8  
Piece: piece 1







## Feature Table

Length Units Millimeters

### 1. RUTA 4 Feature: plane 13 (4), Ref Feature: plane 12 (4)

Control	Nom	Meas	Tol	Dev	Test
3D Distance	21.200	21.239	±0.100	0.039	Pass

### 2. RUTA 4 Feature: plane 15 (4), Ref Feature: plane 14 (4)

Control	Nom	Meas	Tol	Dev	Test
3D Distance	21.200	21.210	±0.100	0.010	Pass

#### • 1. POSICION RUTA 4

Control	Nom	Meas	Tol	Dev	Test
X	3170.710	3170.682	±0.150	-0.028	Pass
Y	178.006	178.030	±0.150	0.024	Pass
Z	107.431	107.466	±0.150	0.035	Pass

#### • 2. POSICION RUTA 4

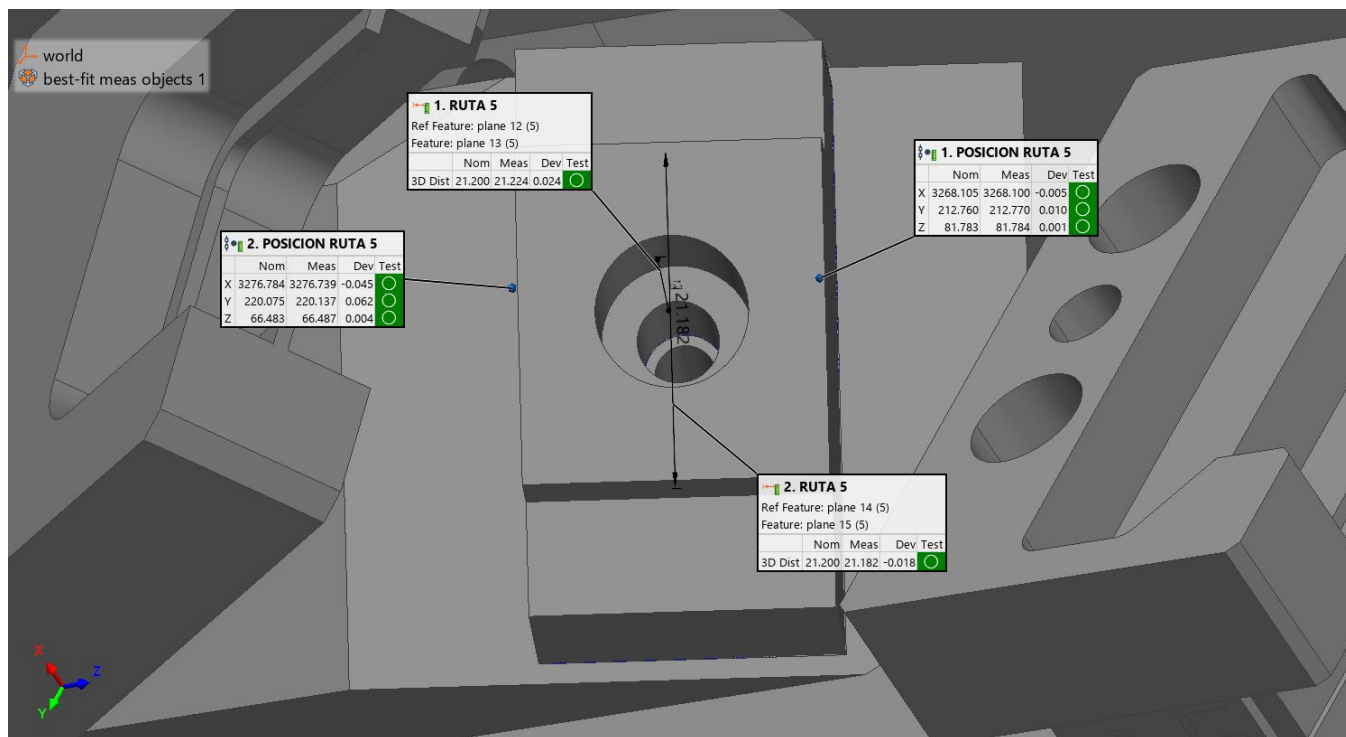
Control	Nom	Meas	Tol	Dev	Test
X	3187.418	3187.393	±0.150	-0.025	Pass
Y	191.022	191.045	±0.150	0.023	Pass
Z	111.617	111.645	±0.150	0.028	Pass

Customer: MAGOVE  
Operator: Felipe Martinez  
E-mail: felipe.martinez@mess.com.mx

Part name: AVX086  
Part number: 5 A69 FD8  
Piece: piece 1







## Feature Table

Length Units Millimeters

### 1. RUTA 5 Feature: plane 13 (5), Ref Feature: plane 12 (5)

Control	Nom	Meas	Tol	Dev	Test
3D Distance	21.200	21.224	±0.100	0.024	Pass

### 2. RUTA 5 Feature: plane 15 (5), Ref Feature: plane 14 (5)

Control	Nom	Meas	Tol	Dev	Test
3D Distance	21.200	21.182	±0.100	-0.018	Pass

#### 1. POSICION RUTA 5

Control	Nom	Meas	Tol	Dev	Test
X	3268.105	3268.100	±0.150	-0.005	Pass
Y	212.760	212.770	±0.150	0.010	Pass
Z	81.783	81.784	±0.150	0.001	Pass

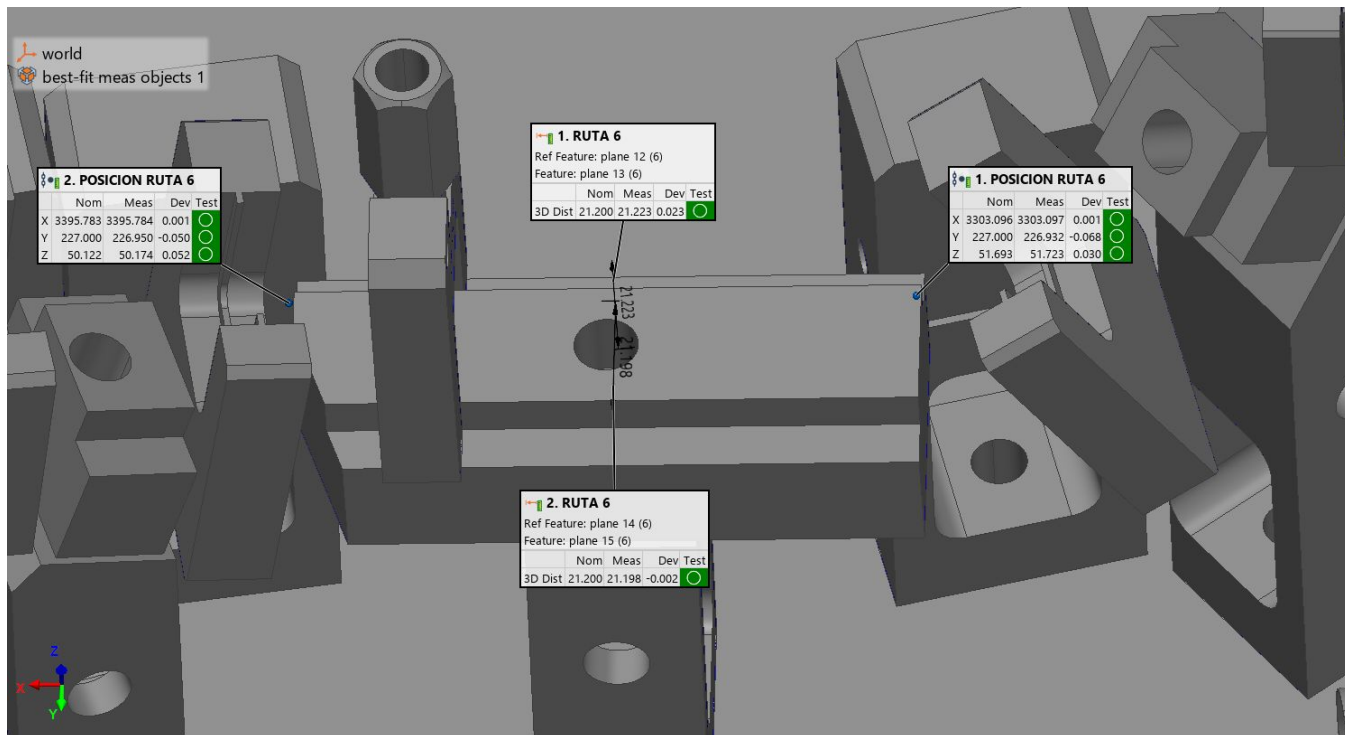
#### 2. POSICION RUTA 5

Control	Nom	Meas	Tol	Dev	Test
X	3276.784	3276.739	±0.150	-0.045	Pass
Y	220.075	220.137	±0.150	0.062	Pass
Z	66.483	66.487	±0.150	0.004	Pass

Customer: MAGOVE  
Operator: Felipe Martinez  
E-mail: felipe.martinez@mess.com.mx

Part name: AVX086  
Part number: 5 A69 FD8  
Piece: piece 1





## Feature Table

Length Units Millimeters

### 1. RUTA 6 Feature: plane 13 (6), Ref Feature: plane 12 (6)

Control	Nom	Meas	Tol	Dev	Test
3D Distance	21.200	21.223	±0.100	0.023	Pass

### 2. RUTA 6 Feature: plane 15 (6), Ref Feature: plane 14 (6)

Control	Nom	Meas	Tol	Dev	Test
3D Distance	21.200	21.198	±0.100	-0.002	Pass

#### 1. POSICION RUTA 6

Control	Nom	Meas	Tol	Dev	Test
X	3303.096	3303.097	±0.150	0.001	Pass
Y	227.000	226.932	±0.150	-0.068	Pass
Z	51.693	51.723	±0.150	0.030	Pass

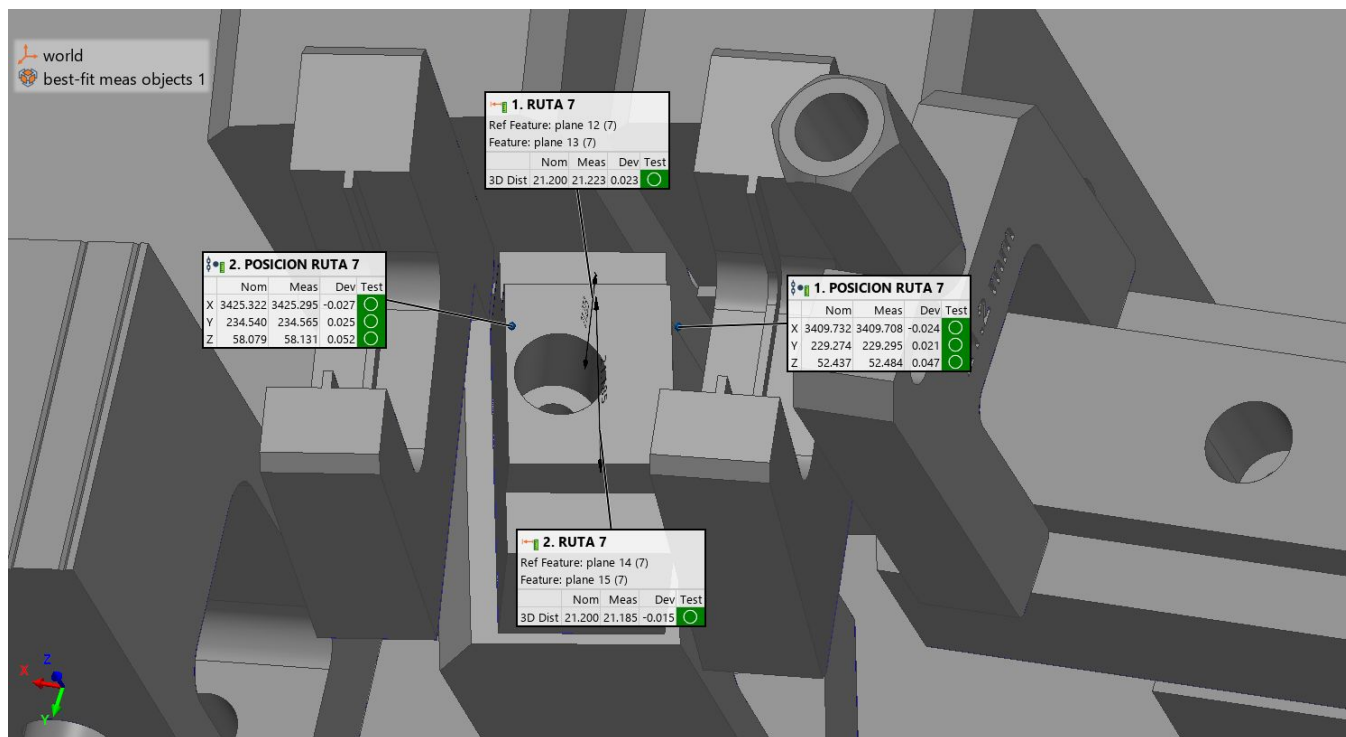
#### 2. POSICION RUTA 6

Control	Nom	Meas	Tol	Dev	Test
X	3395.783	3395.784	±0.150	0.001	Pass
Y	227.000	226.950	±0.150	-0.050	Pass
Z	50.122	50.174	±0.150	0.052	Pass

Customer: MAGOVE  
Operator: Felipe Martinez  
E-mail: felipe.martinez@mess.com.mx

Part name: AVX086  
Part number: 5 A69 FD8  
Piece: piece 1





## Feature Table

Length Units Millimeters

### 1. RUTA 7 Feature: plane 13 (7), Ref Feature: plane 12 (7)

Control	Nom	Meas	Tol	Dev	Test
3D Distance	21.200	21.223	±0.100	0.023	Pass

### 2. RUTA 7 Feature: plane 15 (7), Ref Feature: plane 14 (7)

Control	Nom	Meas	Tol	Dev	Test
3D Distance	21.200	21.185	±0.100	-0.015	Pass

#### 1. POSICION RUTA 7

Control	Nom	Meas	Tol	Dev	Test
X	3409.732	3409.708	±0.150	-0.024	Pass
Y	229.274	229.295	±0.150	0.021	Pass
Z	52.437	52.484	±0.150	0.047	Pass

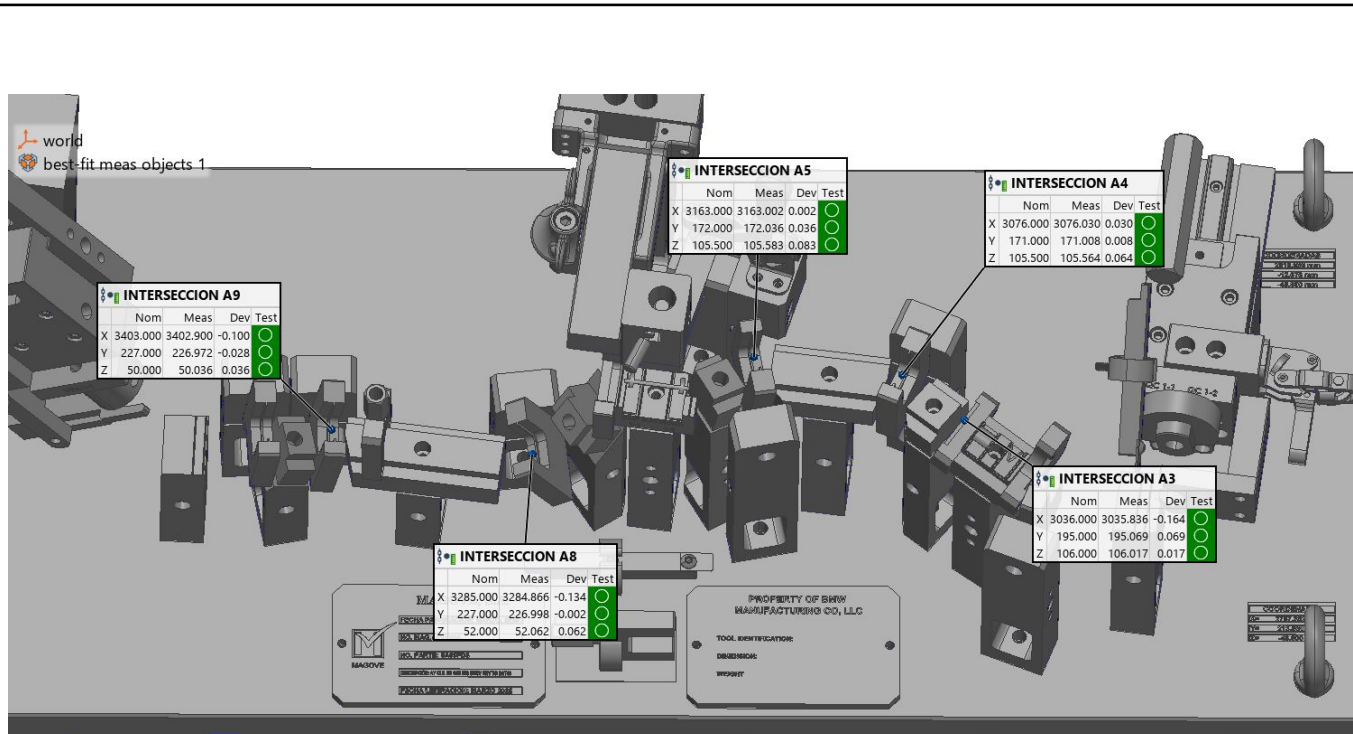
#### 2. POSICION RUTA 7

Control	Nom	Meas	Tol	Dev	Test
X	3425.322	3425.295	±0.150	-0.027	Pass
Y	234.540	234.565	±0.150	0.025	Pass
Z	58.079	58.131	±0.150	0.052	Pass

Customer: MAGOVE  
Operator: Felipe Martinez  
E-mail: felipe.martinez@mess.com.mx

Part name: AVX086  
Part number: 5 A69 FD8  
Piece: piece 1





## Feature Table

Length Units    Millimeters

### • INTERSECCION A3

Control	Nom	Meas	Tol	Dev	Test
X	3036.000	3035.836	±0.500	-0.164	Pass
Y	195.000	195.069	±0.500	0.069	Pass
Z	106.000	106.017	±0.500	0.017	Pass

### • INTERSECCION A4

Control	Nom	Meas	Tol	Dev	Test
X	3076.000	3076.030	±0.500	0.030	Pass
Y	171.000	171.008	±0.500	0.008	Pass
Z	105.500	105.564	±0.500	0.064	Pass

### • INTERSECCION A5

Control	Nom	Meas	Tol	Dev	Test
X	3163.000	3163.002	±0.500	0.002	Pass
Y	172.000	172.036	±0.500	0.036	Pass
Z	105.500	105.583	±0.500	0.083	Pass

### INTERSECCION A8

Customer:    MAGOVE  
Operator:    Felipe Martinez  
E-mail:      feline.martinez7@mess.com.mx  
INTERSECCION A9

Part name:    AVX086  
Part number:  5 A69 FD8  
Piece:        niece 1

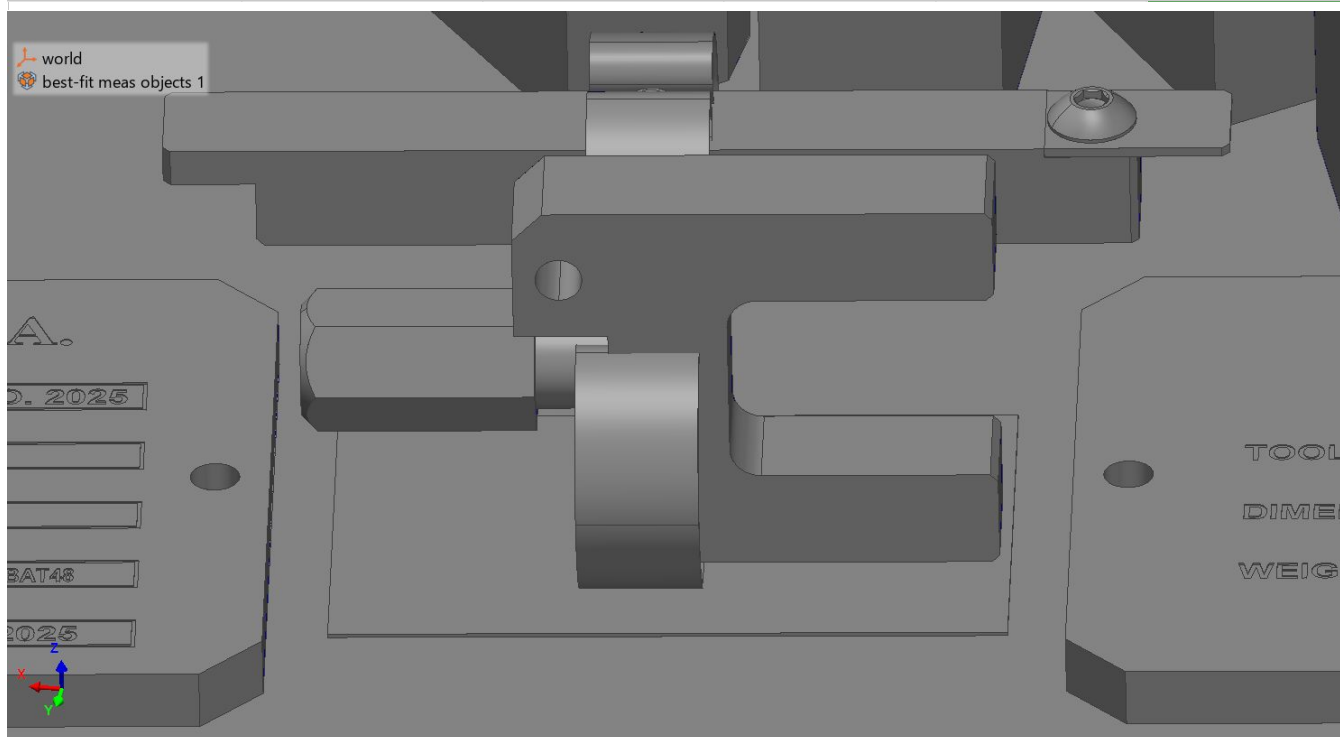


• INTERSECCION A8

Control	Nom	Meas	Tol	Dev	Test
X	3285.000	3284.866	±0.500	-0.134	Pass
Y	227.000	226.998	±0.500	-0.002	Pass
Z	52.000	52.062	±0.500	0.062	Pass

• INTERSECCION A9

Control	Nom	Meas	Tol	Dev	Test
X	3403.000	3402.900	±0.500	-0.100	Pass
Y	227.000	226.972	±0.500	-0.028	Pass
Z	50.000	50.036	±0.500	0.036	Pass



Feature Table

Length Units Millimeters

1. FELLER DE MANGUERA

Feature: plane 46, Ref Feature: plane 45

Control	Nom	Meas	Tol	Dev	Test
3D Distance	27.550	27.553	±0.100	0.003	Pass

2. FELLER DE MANGUERA

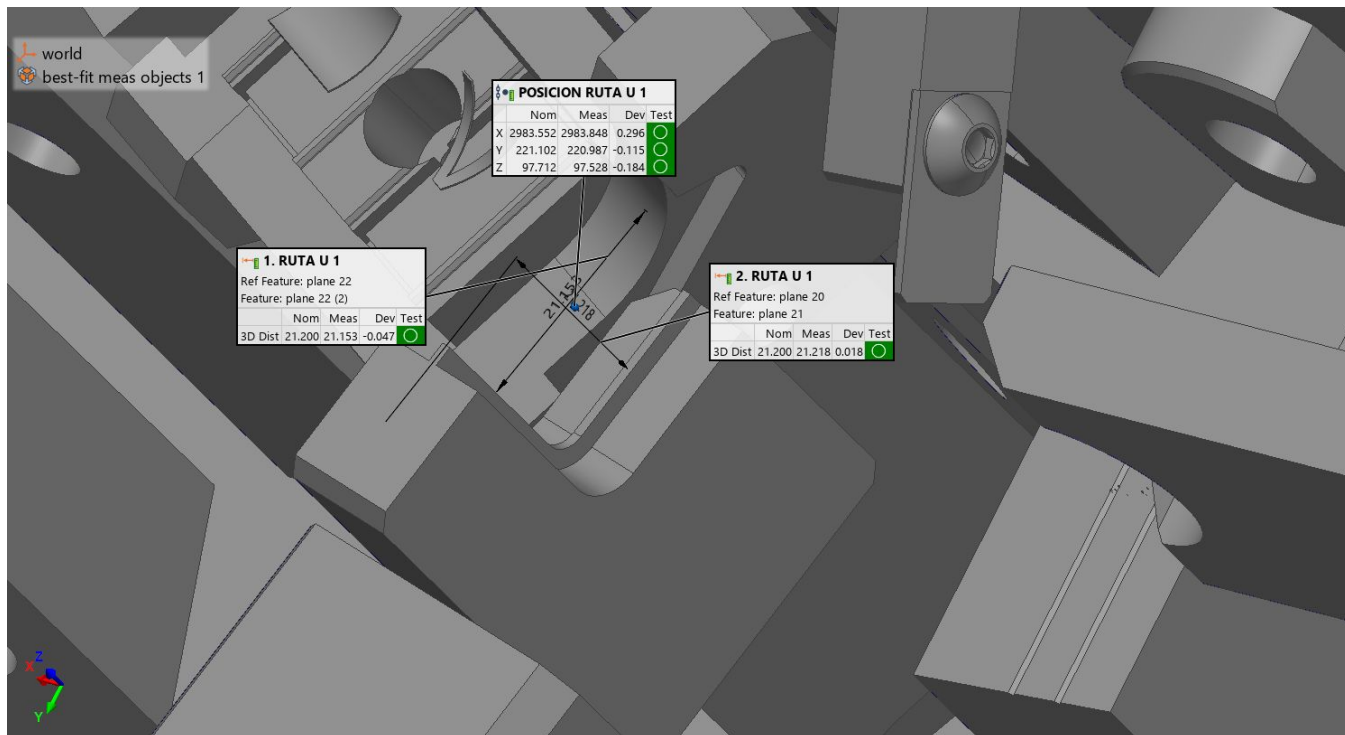
Feature: plane 48, Ref Feature: plane 47

Control	Nom	Meas	Tol	Dev	Test
3D Distance	21.200	21.212	±0.100	0.012	Pass

Customer: MAGOVE  
Operator: Felipe Martinez  
E-mail: felipe.martinez@mess.com.mx

Part name: AVX086  
Part number: 5 A69 FD8  
Piece: piece 1





## Feature Table

Length Units Millimeters

### 1. RUTA U 1 Feature: plane 22 (2), Ref Feature: plane 22

Control	Nom	Meas	Tol	Dev	Test
3D Distance	21.200	21.153	±0.100	-0.047	Pass

### 2. RUTA U 1 Feature: plane 21, Ref Feature: plane 20

Control	Nom	Meas	Tol	Dev	Test
3D Distance	21.200	21.218	±0.100	0.018	Pass

### • POSICION RUTA U 1

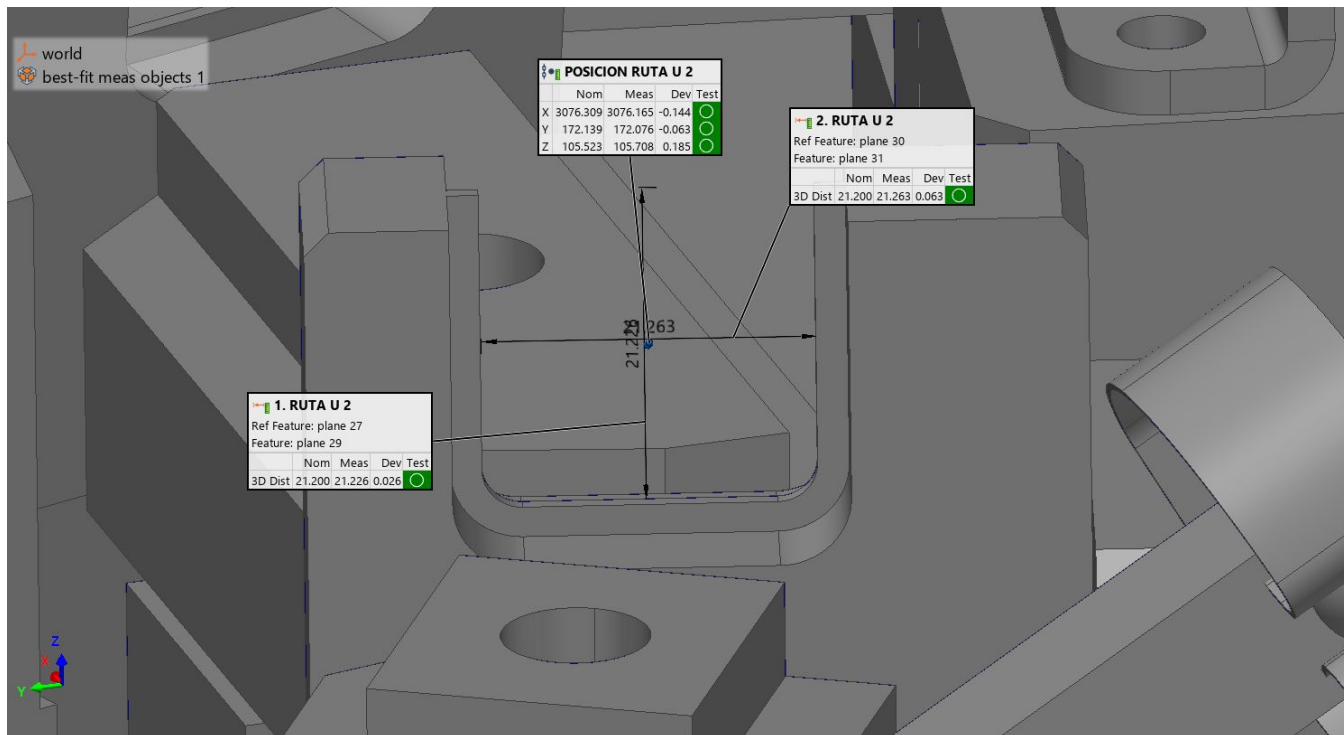
Control	Nom	Meas	Tol	Dev	Test
X	2983.552	2983.848	±0.500	0.296	Pass
Y	221.102	220.987	±0.500	-0.115	Pass
Z	97.712	97.528	±0.500	-0.184	Pass

Customer: MAGOVE  
Operator: Felipe Martinez  
E-mail: felipe.martinez@mess.com.mx

Part name: AVX086  
Part number: 5 A69 FD8  
Piece: piece 1







## Feature Table

Length Units Millimeters

### 1. RUTA U 2 Feature: plane 29, Ref Feature: plane 27

Control	Nom	Meas	Tol	Dev	Test
3D Distance	21.200	21.226	±0.100	0.026	Pass

### 2. RUTA U 2 Feature: plane 31, Ref Feature: plane 30

Control	Nom	Meas	Tol	Dev	Test
3D Distance	21.200	21.263	±0.100	0.063	Pass

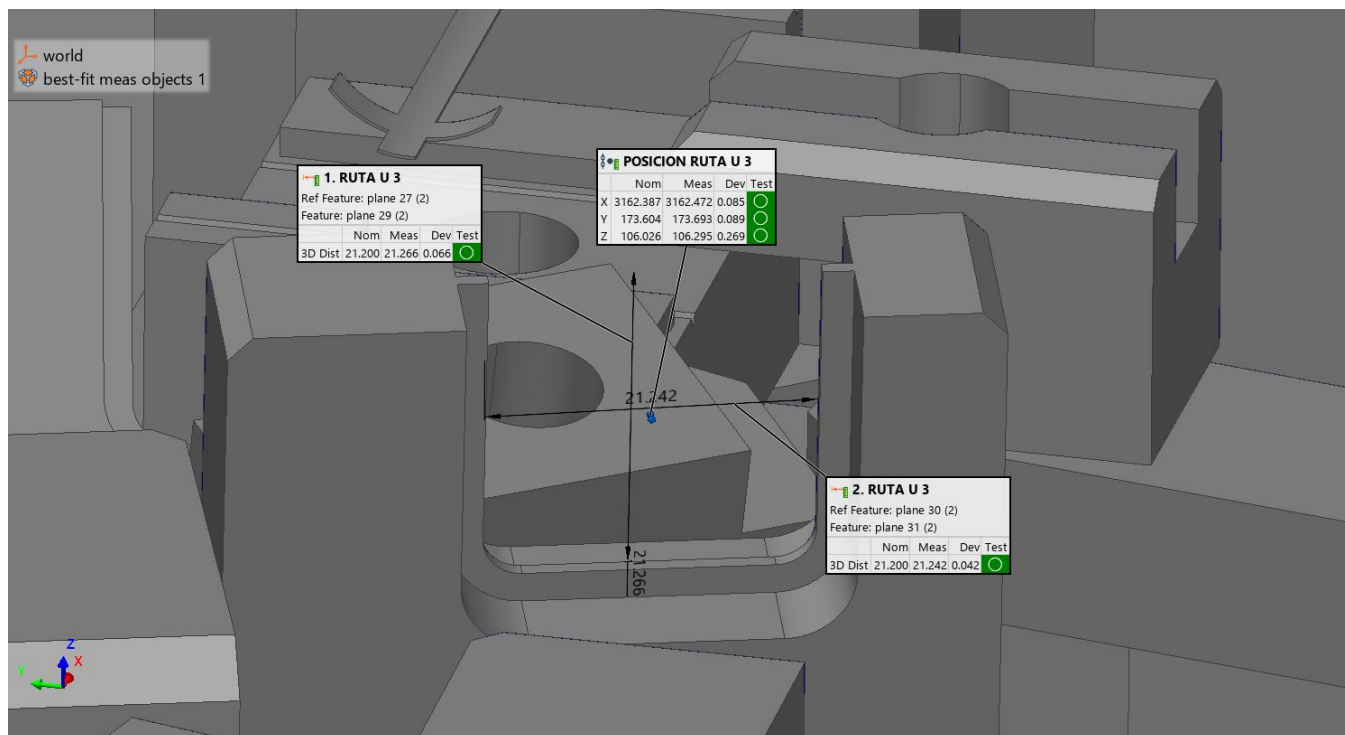
### • POSICION RUTA U 2

Control	Nom	Meas	Tol	Dev	Test
X	3076.309	3076.165	±0.500	-0.144	Pass
Y	172.139	172.076	±0.500	-0.063	Pass
Z	105.523	105.708	±0.500	0.185	Pass

Customer: MAGOVE  
Operator: Felipe Martinez  
E-mail: felipe.martinez@mess.com.mx

Part name: AVX086  
Part number: 5 A69 FD8  
Piece: piece 1





## Feature Table

Length Units    Millimeters

### 1. RUTA U 3 Feature: plane 29 (2), Ref Feature: plane 27 (2)

Control	Nom	Meas	Tol	Dev	Test
3D Distance	21.200	21.266	±0.100	0.066	Pass

### 2. RUTA U 3 Feature: plane 31 (2), Ref Feature: plane 30 (2)

Control	Nom	Meas	Tol	Dev	Test
3D Distance	21.200	21.242	±0.100	0.042	Pass

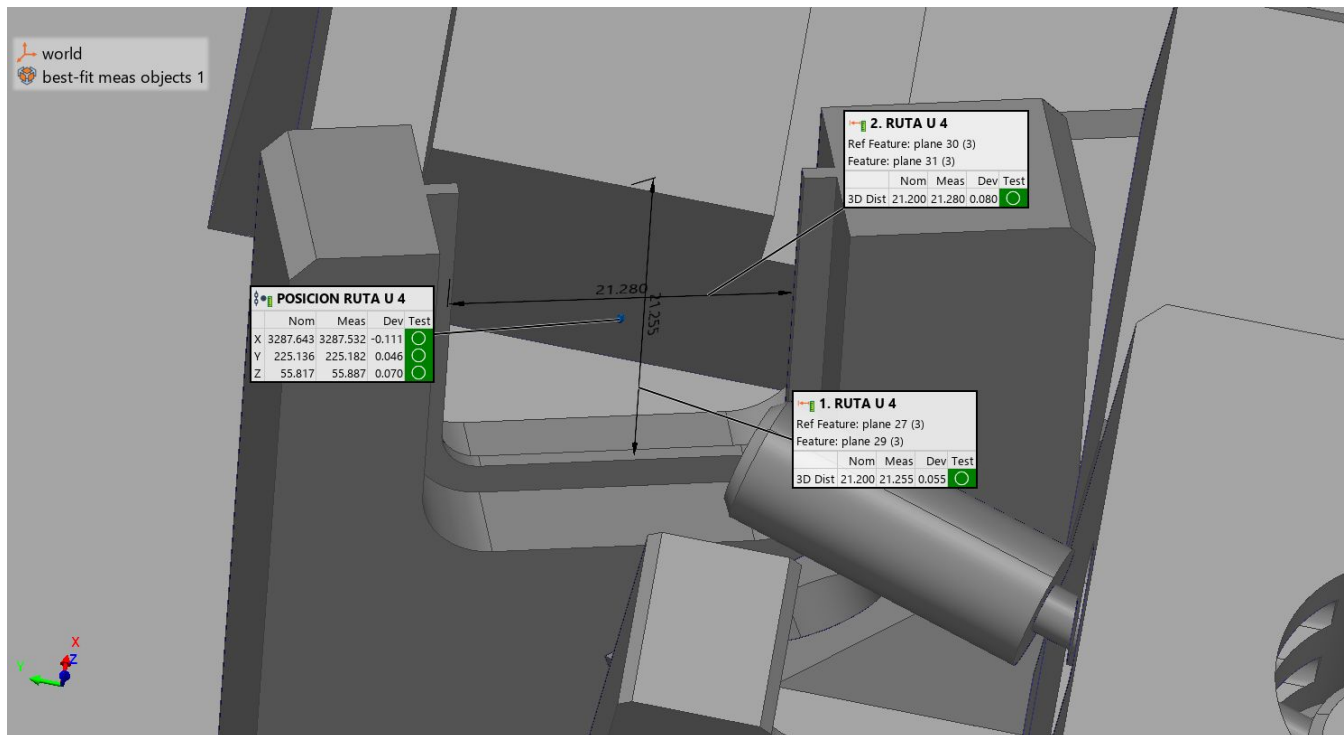
### • POSICION RUTA U 3

Control	Nom	Meas	Tol	Dev	Test
X	3162.387	3162.472	±0.500	0.085	Pass
Y	173.604	173.693	±0.500	0.089	Pass
Z	106.026	106.295	±0.500	0.269	Pass

Customer:    MAGOVE  
Operator:    Felipe Martinez  
E-mail:      felipe.martinez@mess.com.mx

Part name:    AVX086  
Part number:  5 A69 FD8  
Piece:        piece 1





## Feature Table

Length Units Millimeters

### 1. RUTA U 4 Feature: plane 29 (3), Ref Feature: plane 27 (3)

Control	Nom	Meas	Tol	Dev	Test
3D Distance	21.200	21.255	±0.100	0.055	Pass

### 2. RUTA U 4 Feature: plane 31 (3), Ref Feature: plane 30 (3)

Control	Nom	Meas	Tol	Dev	Test
3D Distance	21.200	21.280	±0.100	0.080	Pass

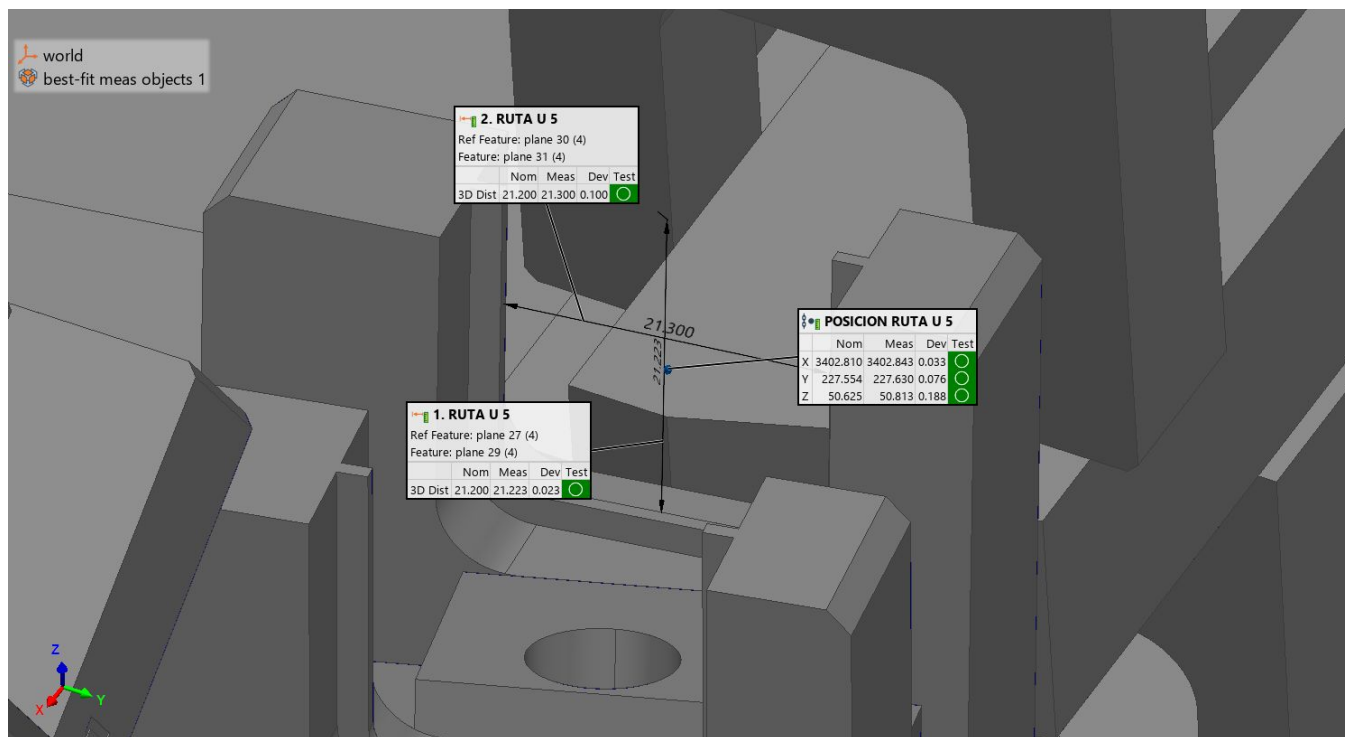
### • POSICION RUTA U 4

Control	Nom	Meas	Tol	Dev	Test
X	3287.643	3287.532	±0.500	-0.111	Pass
Y	225.136	225.182	±0.500	0.046	Pass
Z	55.817	55.887	±0.500	0.070	Pass

Customer: MAGOVE  
Operator: Felipe Martinez  
E-mail: felipe.martinez@mess.com.mx

Part name: AVX086  
Part number: 5 A69 FD8  
Piece: piece 1





## Feature Table

Length Units    Millimeters

↔ 1. RUTA U 5 <span style="float: right;">Feature: plane 29 (4), Ref Feature: plane 27 (4)</span>					
Control	Nom	Meas	Tol	Dev	Test
3D Distance	21.200	21.223	±0.100	0.023	Pass
↔ 2. RUTA U 5 <span style="float: right;">Feature: plane 31 (4), Ref Feature: plane 30 (4)</span>					
Control	Nom	Meas	Tol	Dev	Test
3D Distance	21.200	21.300	±0.100	0.100	Pass
● POSICION RUTA U 5					
Control	Nom	Meas	Tol	Dev	Test
X	3402.810	3402.843	±0.500	0.033	Pass
Y	227.554	227.630	±0.500	0.076	Pass
Z	50.625	50.813	±0.500	0.188	Pass

Customer:    MAGOVE  
Operator:    Felipe Martinez  
E-mail:      felipe.martinez@mess.com.mx

Part name:    AVX086  
Part number:  5 A69 FD8  
Piece:        piece 1





## Feature Table

Length Units    Millimeters

1. RUTA U 6 Feature: plane 29 (5), Ref Feature: plane 27 (5)

Control	Nom	Meas	Tol	Dev	Test
3D Distance	21.200	21.249	±0.100	0.049	Pass

2. RUTA U 6 Feature: plane 31 (5), Ref Feature: plane 30 (5)

Control	Nom	Meas	Tol	Dev	Test
3D Distance	21.200	21.235	±0.100	0.035	Pass

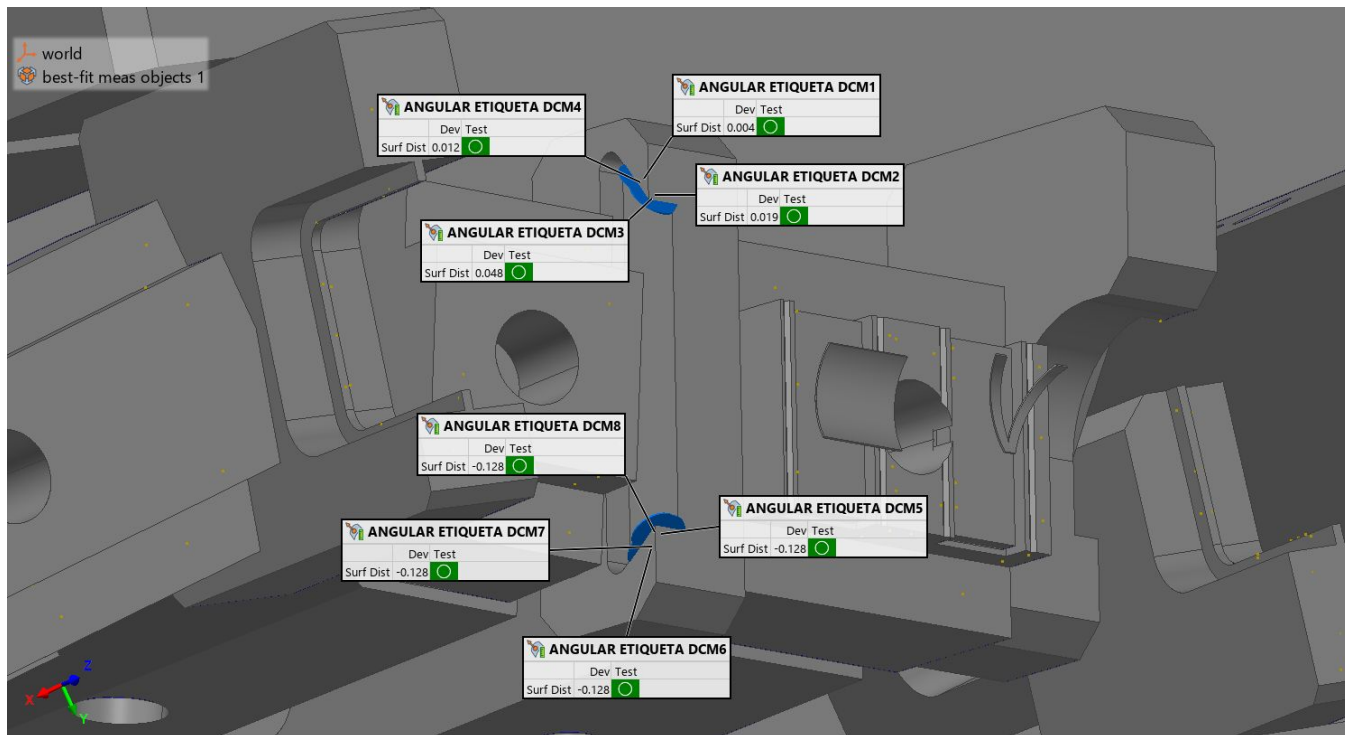
### • POSICION RUTA U 6

Control	Nom	Meas	Tol	Dev	Test
X	3440.479	3440.308	±0.500	-0.171	Pass
Y	239.196	239.313	±0.500	0.117	Pass
Z	62.741	62.922	±0.500	0.181	Pass

Customer: MAGOVE  
Operator: Felipe Martinez  
E-mail: felipe.martinez@mess.com.mx

Part name: AVX086  
Part number: 5 A69 FD8  
Piece: piece 1





## Comparison Point Table

Units Millimeters

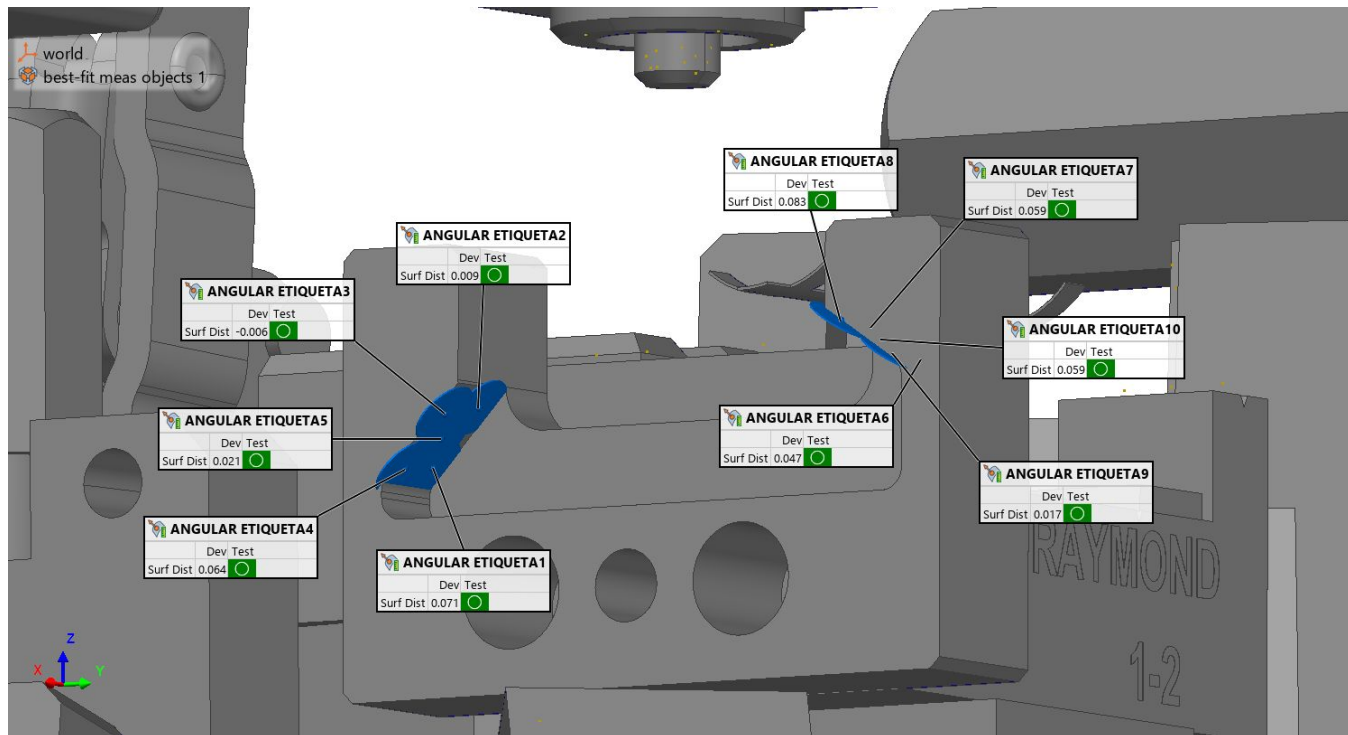
Name	Control	Nom	Meas	Tol	Dev	Test
ANGULAR ETIQUETA DCM1	Surface Distance		0.004	±0.200	0.004	Pass
ANGULAR ETIQUETA DCM2	Surface Distance		0.019	±0.200	0.019	Pass
ANGULAR ETIQUETA DCM3	Surface Distance		0.048	±0.200	0.048	Pass
ANGULAR ETIQUETA DCM4	Surface Distance		0.012	±0.200	0.012	Pass
ANGULAR ETIQUETA DCM5	Surface Distance		-0.128	±0.200	-0.128	Pass
ANGULAR ETIQUETA DCM6	Surface Distance		-0.128	±0.200	-0.128	Pass
ANGULAR ETIQUETA DCM7	Surface Distance		-0.128	±0.200	-0.128	Pass
ANGULAR ETIQUETA DCM8	Surface Distance		-0.128	±0.200	-0.128	Pass

Customer: MAGOVE  
Operator: Felipe Martinez  
E-mail: felipe.martinez@mess.com.mx

Part name: AVX086  
Part number: 5 A69 FD8  
Piece: piece 1







### Comparison Point Table

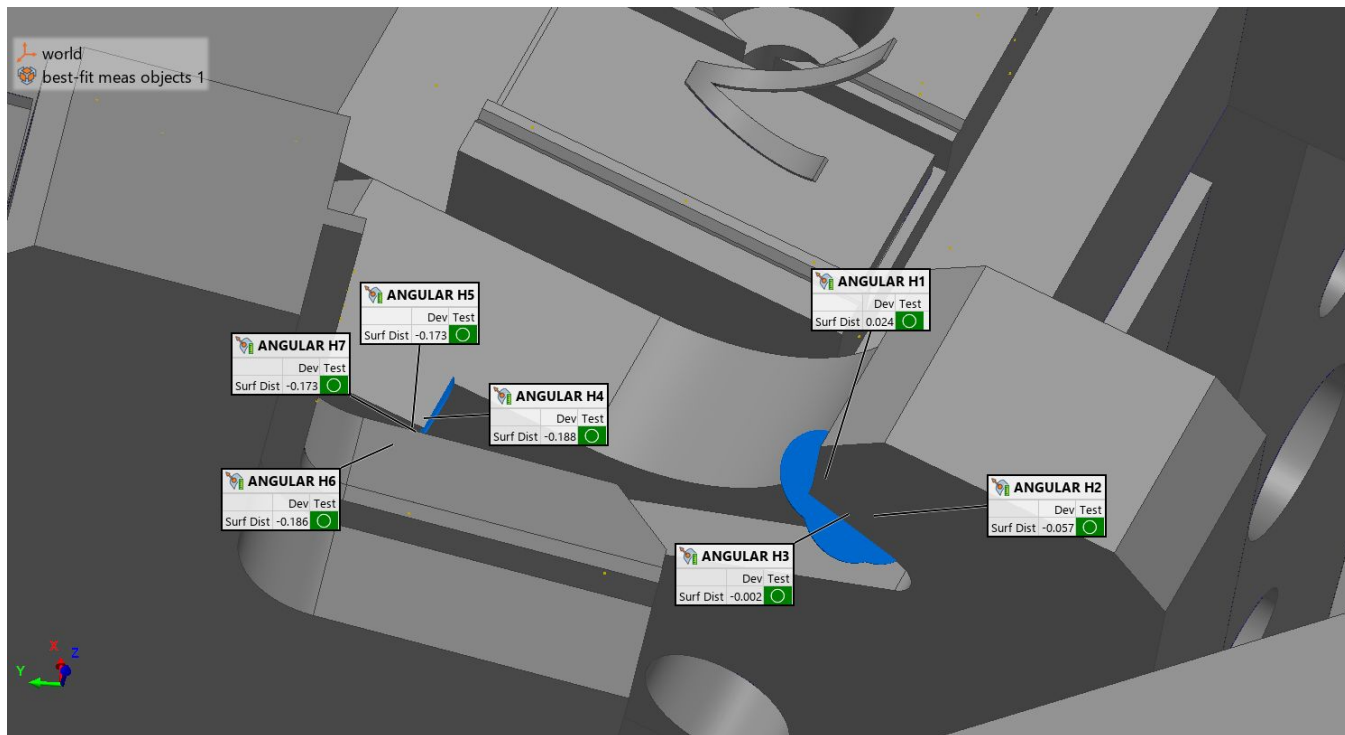
Units Millimeters

Name	Control	Nom	Meas	Tol	Dev	Test
ANGULAR ETIQUETA1	Surface Distance		0.071	±0.200	0.071	Pass
ANGULAR ETIQUETA2	Surface Distance		0.009	±0.200	0.009	Pass
ANGULAR ETIQUETA3	Surface Distance		-0.006	±0.200	-0.006	Pass
ANGULAR ETIQUETA4	Surface Distance		0.064	±0.200	0.064	Pass
ANGULAR ETIQUETA5	Surface Distance		0.021	±0.200	0.021	Pass
ANGULAR ETIQUETA6	Surface Distance		0.047	±0.200	0.047	Pass
ANGULAR ETIQUETA7	Surface Distance		0.059	±0.200	0.059	Pass
ANGULAR ETIQUETA8	Surface Distance		0.083	±0.200	0.083	Pass
ANGULAR ETIQUETA9	Surface Distance		0.017	±0.200	0.017	Pass
ANGULAR ETIQUETA10	Surface Distance		0.059	±0.200	0.059	Pass

Customer: MAGOVE  
 Operator: Felipe Martinez  
 E-mail: felipe.martinez@mess.com.mx

Part name: AVX086  
 Part number: 5 A69 FD8  
 Piece: piece 1





## Comparison Point Table

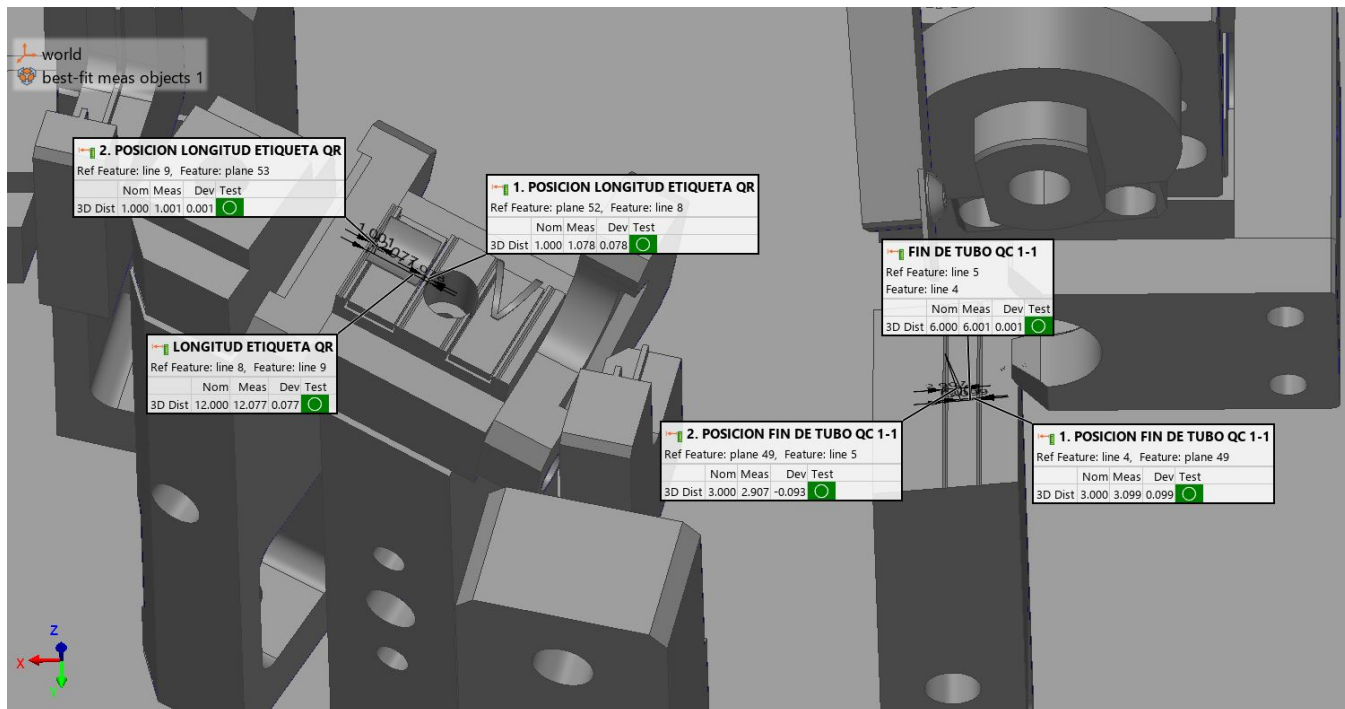
Units Millimeters

Name	Control	Nom	Meas	Tol	Dev	Test
ANGULAR H1	Surface Distance		0.024	±0.200	0.024	Pass
ANGULAR H2	Surface Distance		-0.057	±0.200	-0.057	Pass
ANGULAR H3	Surface Distance		-0.002	±0.200	-0.002	Pass
ANGULAR H4	Surface Distance		-0.188	±0.200	-0.188	Pass
ANGULAR H5	Surface Distance		-0.173	±0.200	-0.173	Pass
ANGULAR H6	Surface Distance		-0.186	±0.200	-0.186	Pass
ANGULAR H7	Surface Distance		-0.173	±0.200	-0.173	Pass

Customer: MAGOVE  
Operator: Felipe Martinez  
E-mail: felipe.martinez@mess.com.mx

Part name: AVX086  
Part number: 5 A69 FD8  
Piece: piece 1





## Feature Table

Length Units Millimeters

↔ FIN DE TUBO QC 1-1 Feature: line 4, Ref Feature: line 5

Control	Nom	Meas	Tol	Dev	Test
3D Distance	6.000	6.001	±0.100	0.001	Pass

↔ 1. POSICION FIN DE TUBO QC 1-1 Feature: plane 49, Ref Feature: line 4

Control	Nom	Meas	Tol	Dev	Test
3D Distance	3.000	3.099	±0.200	0.099	Pass

↔ 2. POSICION FIN DE TUBO QC 1-1 Feature: line 5, Ref Feature: plane 49

Control	Nom	Meas	Tol	Dev	Test
3D Distance	3.000	2.907	±0.200	-0.093	Pass

↔ LONGITUD ETIQUETA QR Feature: line 9, Ref Feature: line 8

Control	Nom	Meas	Tol	Dev	Test
3D Distance	12.000	12.077	±0.100	0.077	Pass

↔ 1. POSICION LONGITUD ETIQUETA QR Feature: line 8, Ref Feature: plane 52

Control	Nom	Meas	Tol	Dev	Test
3D Distance	1.000	1.078	±0.200	0.078	Pass

2. POSICION LONGITUD ETIQUETA QR Feature: plane 53, Ref Feature: line 9

Customer: MAGOVE  
Operator: Felipe Martinez  
E-mail: felipe.martinez@mess.com.mx

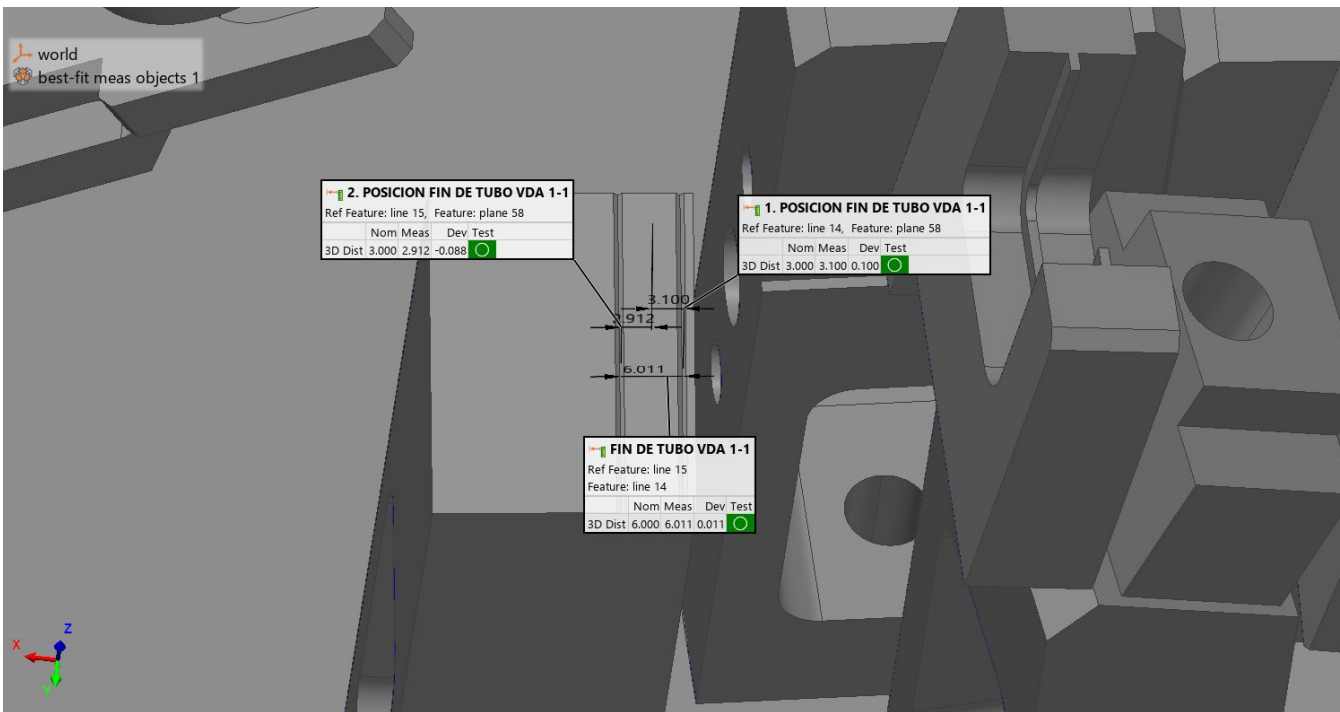
Part name: AVXU80  
Part number: 5 A69 FD8  
Piece: piece 1



2. POSICION LONGITUD ETIQUETA QR

Feature: plane 53, Ref Feature: line

Control	Nom	Meas	Tol	Dev	Test
3D Distance	1.000	1.001	±0.200	0.001	Pass



Feature Table

Length Units Millimeters

1. POSICION FIN DE TUBO VDA 1-1

Feature: plane 58, Ref Feature: line 14

Control	Nom	Meas	Tol	Dev	Test
3D Distance	3.000	3.100	±0.200	0.100	Pass

2. POSICION FIN DE TUBO VDA 1-1

Feature: plane 58, Ref Feature: line 15

Control	Nom	Meas	Tol	Dev	Test
3D Distance	3.000	2.912	±0.200	-0.088	Pass

FIN DE TUBO VDA 1-1

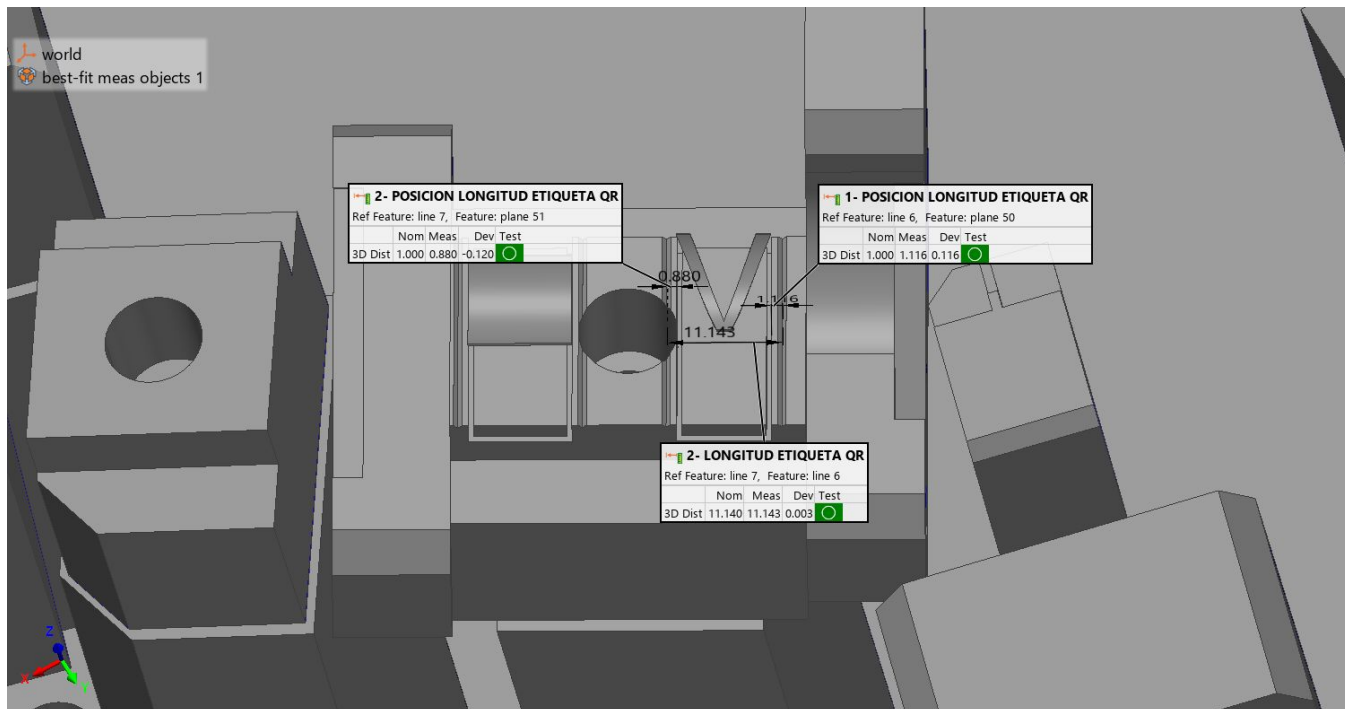
Feature: line 14, Ref Feature: line 15

Control	Nom	Meas	Tol	Dev	Test
3D Distance	6.000	6.011	±0.100	0.011	Pass

Customer: MAGOVE  
Operator: Felipe Martinez  
E-mail: felipe.martinez@mess.com.mx

Part name: AVX086  
Part number: 5 A69 FD8  
Piece: piece 1





## Feature Table

Length Units    Millimeters

### 1- POSICION LONGITUD ETIQUETA QR Feature: plane 50, Ref Feature: line 6

Control	Nom	Meas	Tol	Dev	Test
3D Distance	1.000	1.116	±0.200	0.116	Pass

### 2- POSICION LONGITUD ETIQUETA QR Feature: plane 51, Ref Feature: line 7

Control	Nom	Meas	Tol	Dev	Test
3D Distance	1.000	0.880	±0.200	-0.120	Pass

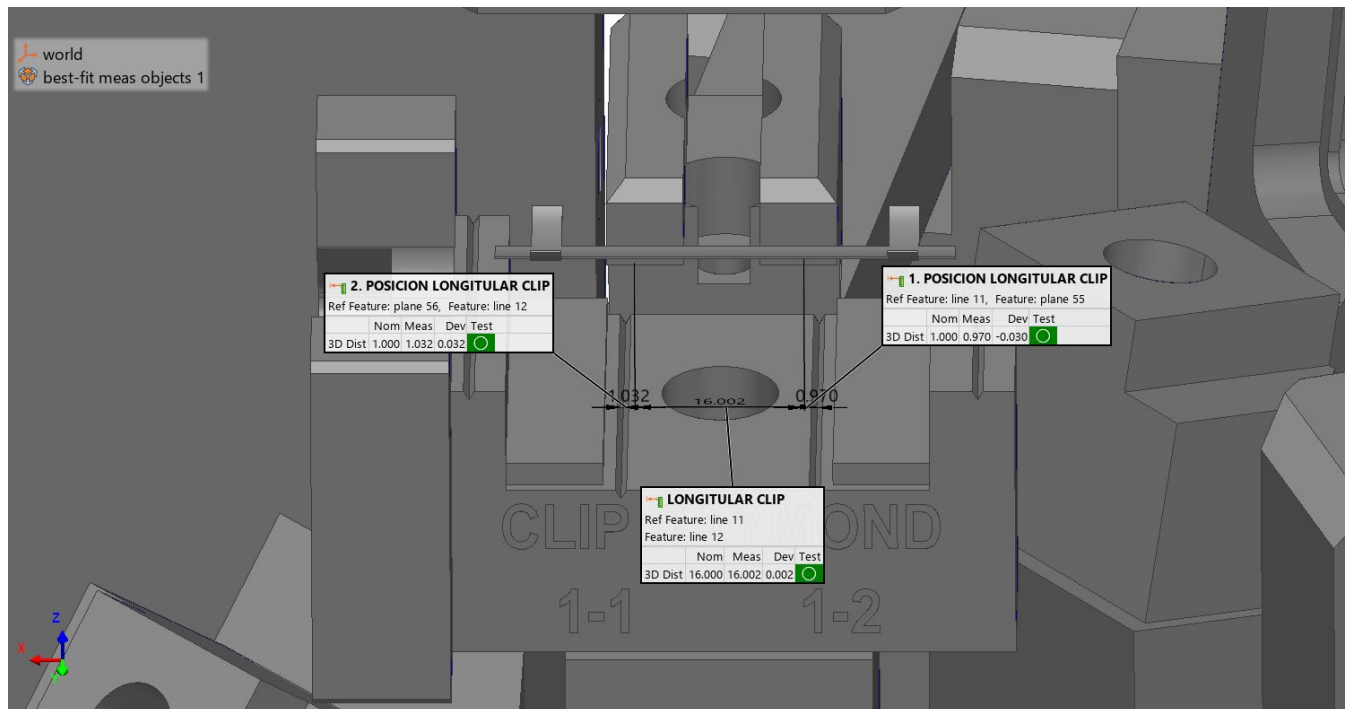
### 2- LONGITUD ETIQUETA QR Feature: line 6, Ref Feature: line 7

Control	Nom	Meas	Tol	Dev	Test
3D Distance	11.140	11.143	±0.100	0.003	Pass

Customer:    MAGOVE  
Operator:    Felipe Martinez  
E-mail:      felipe.martinez@mess.com.mx

Part name:    AVX086  
Part number:  5 A69 FD8  
Piece:        piece 1





## Feature Table

Length Units    Millimeters

### 1. POSICION LONGITUDAR CLIP Feature: plane 55, Ref Feature: line 11

Control	Nom	Meas	Tol	Dev	Test
3D Distance	1.000	0.970	±0.200	-0.030	Pass

### 2. POSICION LONGITUDAR CLIP Feature: line 12, Ref Feature: plane 56

Control	Nom	Meas	Tol	Dev	Test
3D Distance	1.000	1.032	±0.200	0.032	Pass

### LONGITUDAR CLIP Feature: line 12, Ref Feature: line 11

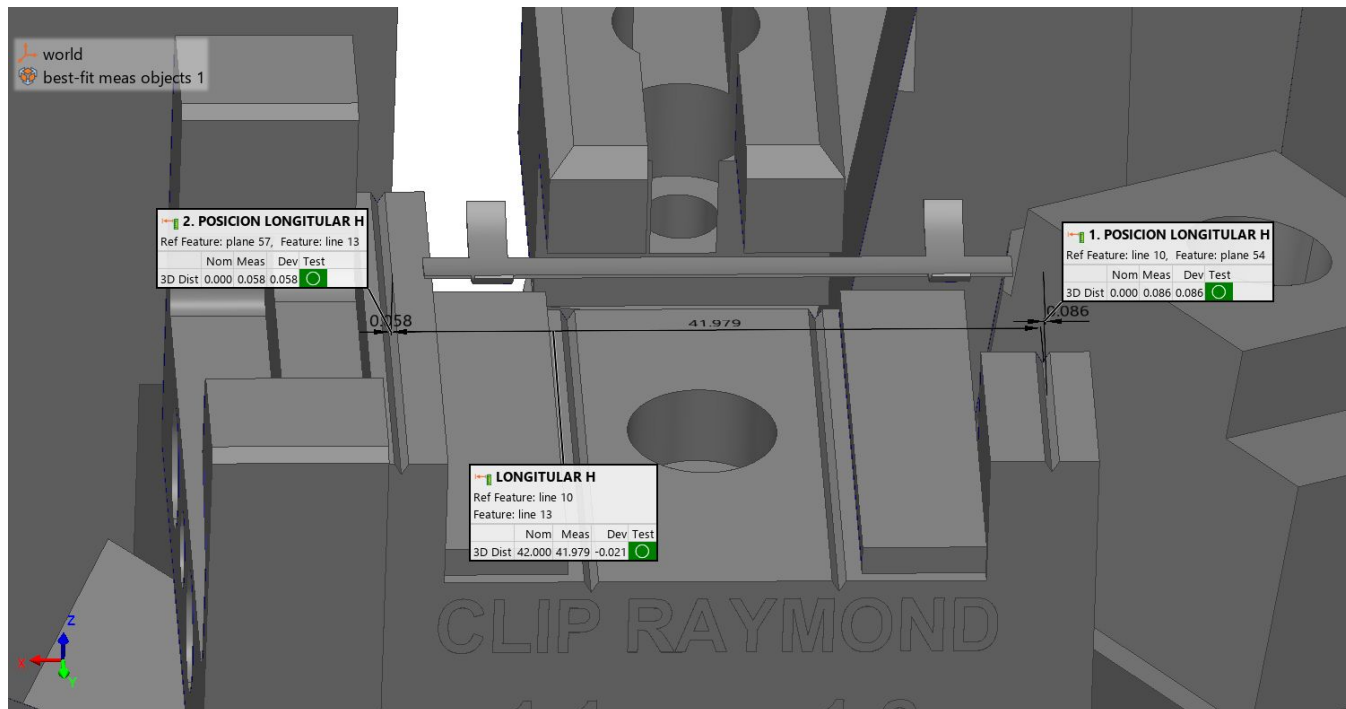
Control	Nom	Meas	Tol	Dev	Test
3D Distance	16.000	16.002	±0.100	0.002	Pass

Customer:    MAGOVE  
Operator:    Felipe Martinez  
E-mail:      felipe.martinez@mess.com.mx

Part name:    AVX086  
Part number:  5 A69 FD8  
Piece:        piece 1







## Feature Table

Length Units    Millimeters

↔ 1. POSICION LONGITULAR H <span style="float: right;">Feature: plane 54, Ref Feature: line 10</span>					
Control	Nom	Meas	Tol	Dev	Test
3D Distance	0.000	0.086	±0.200	0.086	Pass

↔ 2. POSICION LONGITULAR H <span style="float: right;">Feature: line 13, Ref Feature: plane 57</span>					
Control	Nom	Meas	Tol	Dev	Test
3D Distance	0.000	0.058	±0.200	0.058	Pass

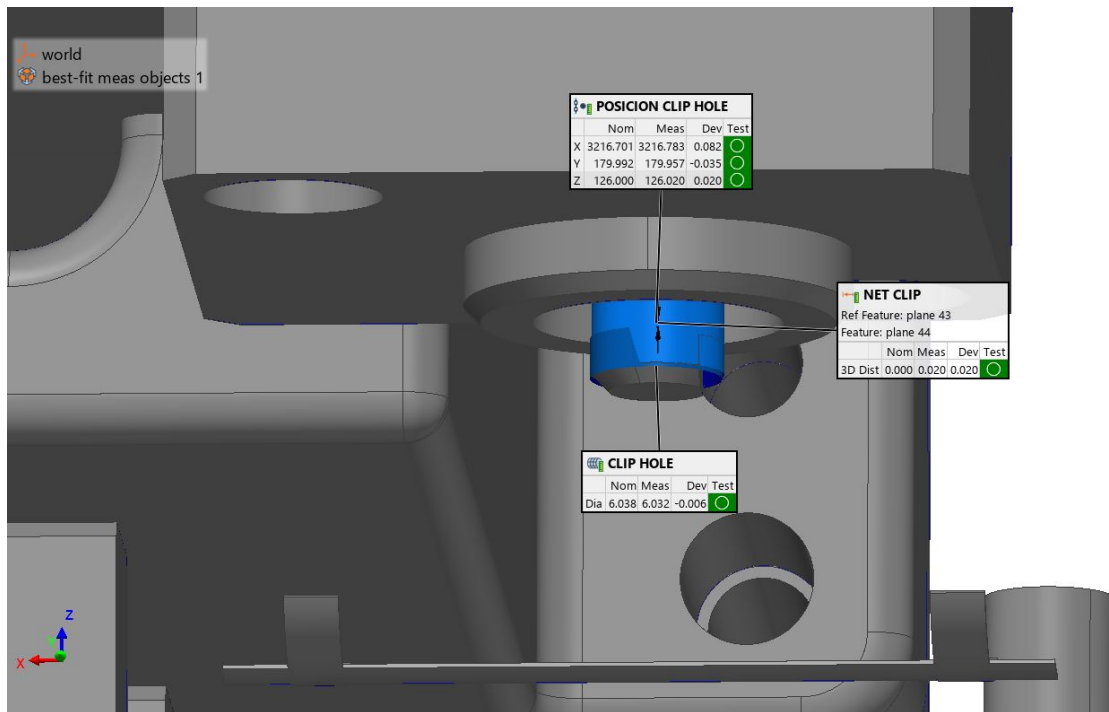
  

↔ LONGITULAR H <span style="float: right;">Feature: line 13, Ref Feature: line 10</span>					
Control	Nom	Meas	Tol	Dev	Test
3D Distance	42.000	41.979	±0.100	-0.021	Pass

Customer: MAGOVE  
 Operator: Felipe Martinez  
 E-mail: felipe.martinez@mess.com.mx

Part name: AVX086  
 Part number: 5 A69 FD8  
 Piece: piece 1





## Feature Table

Length Units    Millimeters

### CLIP HOLE

Control	Nom	Meas	Tol	Dev	Test
Diameter	6.038	6.032	±0.050	-0.006	Pass

### • POSICION CLIP HOLE

Control	Nom	Meas	Tol	Dev	Test
X	3216.701	3216.783	±0.100	0.082	Pass
Y	179.992	179.957	±0.100	-0.035	Pass
Z	126.000	126.020	±0.100	0.020	Pass

### NET CLIP

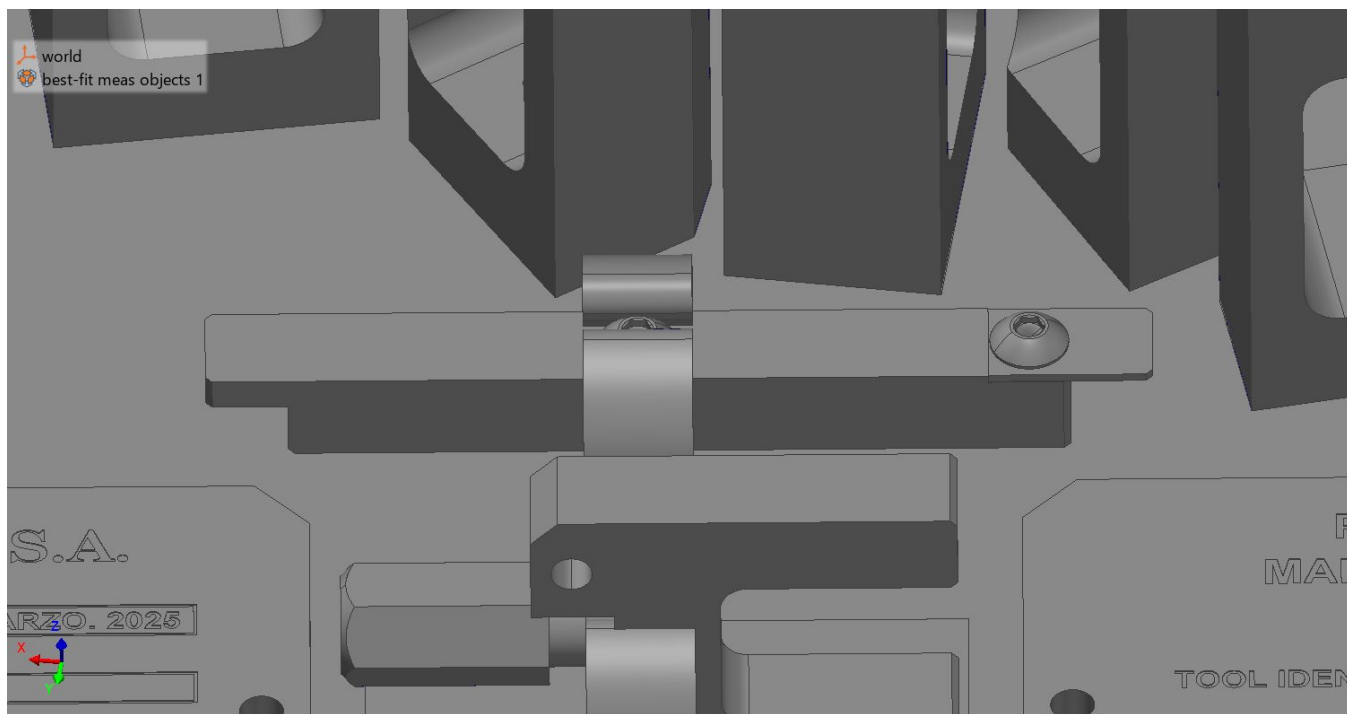
Feature: plane 44, Ref Feature: plane 43

Control	Nom	Meas	Tol	Dev	Test
3D Distance	0.000	0.020	±0.100	0.020	Pass

Customer:    MAGOVE  
Operator:    Felipe Martinez  
E-mail:      felipe.martinez@mess.com.mx

Part name:    AVX086  
Part number:  5 A69 FD8  
Piece:        piece 1





## Feature Table

Length Units    Millimeters

↔ **GO 1 mm** Feature: plane 64, Ref Feature: plane 63

Control	Nom	Meas	Tol	Dev	Test
3D Distance	1.000	0.988	±0.050	-0.012	Pass

↔ **NO GO 4 mm** Feature: plane 62, Ref Feature: plane 61

Control	Nom	Meas	Tol	Dev	Test
3D Distance	4.000	3.984	±0.050	-0.016	Pass

Customer:    MAGOVE  
Operator:    Felipe Martinez  
E-mail:      felipe.martinez@mess.com.mx

Part name:    AVX086  
Part number:  5 A69 FD8  
Piece:        piece 1

