

PERNO/1				
	Nom.	Medición	Desv	Prueba
X	1105.31	1105.31	0.00	○
Y	260.49	260.49	0.00	○
Z	1567.69	1567.69	0.00	○

PERNO /2				
	Nom.	Medición	Desv	Prueba
X	1130.14	1130.18	0.04	○
Y	260.49	260.49	0.00	○
Z	1567.69	1567.69	0.00	○

x

Feature Table

Length Units Millimeters

Name	Control	Nom	Meas	Tol	Dev	Test
PERNO/1	X	1105.31	1105.31	±0.05	0.00	Pass
	Y	260.49	260.49	±0.05	0.00	Pass
	Z	1567.69	1567.69	±0.05	0.00	Pass
PERNO /2	X	1130.14	1130.18	±0.05	0.04	Pass
	Y	260.49	260.49	±0.05	0.00	Pass
	Z	1567.69	1567.69	±0.05	0.00	Pass

Customer: MAGOVE
Operator: GAMALIEL LUGO
E-mail: gamaliel@mess

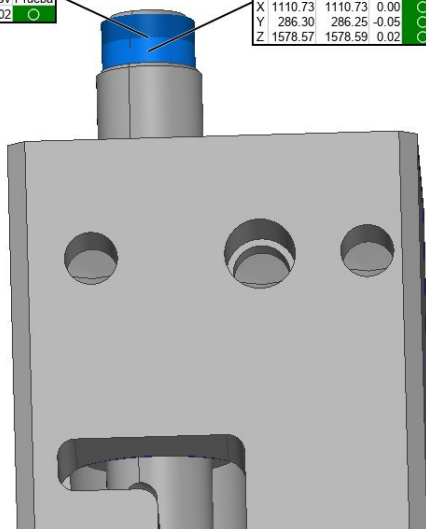
Part name: REY004
Part number: 68577400AC
Piece: pieza 1



mundos
X'S

DATUM E			
Nom.	Medición	Desv	Prueba
Diam.	8.40	8.42	0.02 ○

POSICIÓN			
Nom.	Medición	Desv	Prueba
X	1110.73	1110.73	0.00 ○
Y	286.30	286.25	-0.05 ○
Z	1578.57	1578.59	0.02 ○



Datum E

Length Units Millimeters

Name	Control	Nom	Meas	Tol	Dev	Test
⊕ DATUM E	Diameter	8.40	8.42	+0.02/0.00	0.02	Pass

posición

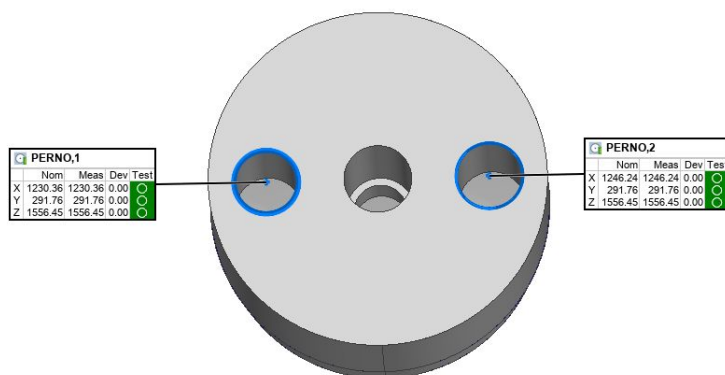
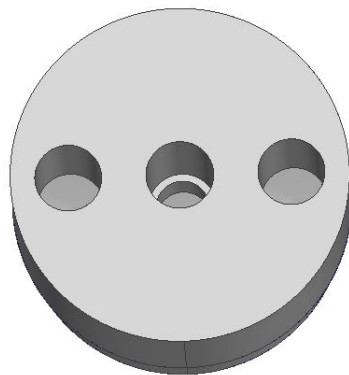
Length Units Millimeters

Name	Control	Nom	Meas	Tol	Dev	Test
● POSICIÓN	X	1110.73	1110.73	±0.05	0.00	Pass
	Y	286.30	286.25	±0.05	-0.05	Pass
	Z	1578.57	1578.59	±0.05	0.02	Pass

Customer: MAGOVE
Operator: GAMALIEL LUGO
E-mail: gamaliel@mess

Part name: REY004
Part number: 68577400AC
Piece: pieza 1





PERNO,1				
	Nom	Meas	Dev	Test
X	1230.36	1230.36	0.00	Pass
Y	291.76	291.76	0.00	Pass
Z	1556.45	1556.45	0.00	Pass

PERNO,2				
	Nom	Meas	Dev	Test
X	1246.24	1246.24	0.00	Pass
Y	291.76	291.76	0.00	Pass
Z	1556.45	1556.45	0.00	Pass

alineacion

Length Units Millimeters

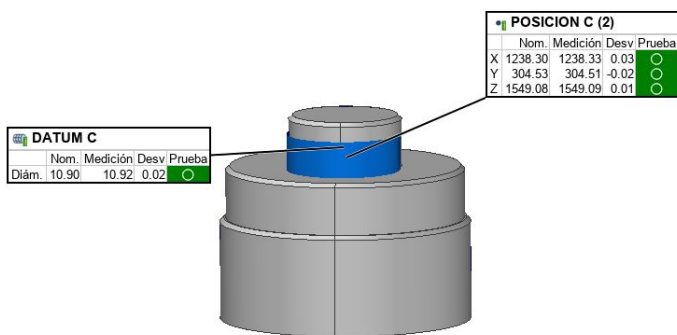
Name	Control	Nom	Meas	Tol	Dev	Test
PERNO,1	X	1230.36	1230.36	±0.05	0.00	Pass
	Y	291.76	291.76	±0.05	0.00	Pass
	Z	1556.45	1556.45	±0.05	0.00	Pass
PERNO,2	X	1246.24	1246.24	±0.05	0.00	Pass
	Y	291.76	291.76	±0.05	0.00	Pass
	Z	1556.45	1556.45	±0.05	0.00	Pass

Customer: MAGOVE
Operator: GAMALIEL LUGO
E-mail: gamaliel@mess

Part name: REY004
Part number: 68577400AC
Piece: pieza 1



📍 mundo
📍 C02,A34-K18



Datum C

Length Units Millimeters

Name	Control	Nom	Meas	Tol	Dev	Test
🌐 DATUM C	Diameter	10.90	10.92	+0.02/0.00	0.02	Pass

posición

Length Units Millimeters

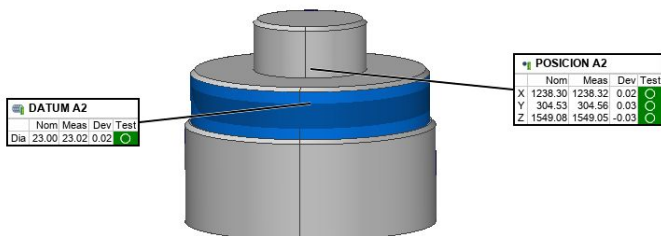
Name	Control	Nom	Meas	Tol	Dev	Test
● POSICION C (2)	X	1238.30	1238.33	±0.05	0.03	Pass
	Y	304.53	304.51	±0.05	-0.02	Pass
	Z	1549.08	1549.09	±0.05	0.01	Pass

Customer: MAGOVE
Operator: GAMALIEL LUGO
E-mail: gamaliel@mess

Part name: REY004
Part number: 68577400AC
Piece: pieza 1



• mundo
• C02,A34-K18



datum A2

Length Units Millimeters

Name	Control	Nom	Meas	Tol	Dev	Test	Out Tol
DATUM A2	Diameter	23.00	23.02	±0.20	0.02	Pass	

Feature Table

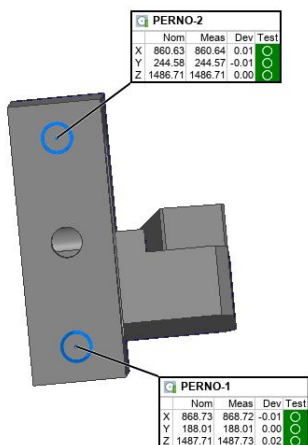
Length Units Millimeters

Name	Control	Nom	Meas	Tol	Dev	Test
• POSICION A2	X	1238.30	1238.32	±0.10	0.02	Pass
	Y	304.53	304.56	±0.10	0.03	Pass
	Z	1549.08	1549.05	±0.10	-0.03	Pass

Customer: MAGOVE
Operator: GAMALIEL LUGO
E-mail: gamaliel@mess

Part name: REY004
Part number: 68577400AC
Piece: pieza 1





ALINEACION

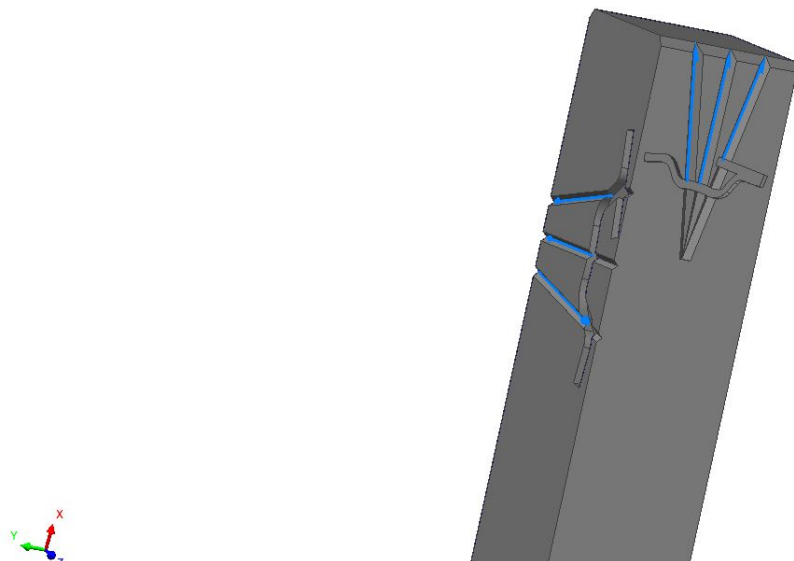
Length Units Millimeters

Name	Control	Nom	Meas	Tol	Dev	Test
PERNO-1	X	868.73	868.72	±0.05	-0.01	Pass
	Y	188.01	188.01	±0.05	0.00	Pass
	Z	1487.71	1487.73	±0.05	0.02	Pass
PERNO-2	X	860.63	860.64	±0.05	0.01	Pass
	Y	244.58	244.57	±0.05	-0.01	Pass
	Z	1486.71	1486.71	±0.05	0.00	Pass

Customer: MAGOVE
Operator: GAMALIEL LUGO
E-mail: gamaliel@mess

Part name: REY004
Part number: 68577400AC
Piece: pieza 1





ANGULAR POSITION CLAMP M023-M26

Length Units Millimeters

Name	Control	Nom	Meas	Tol	Dev	Test
△ angle 8	Y/Z Angle	98.00	97.31	±1.00	-0.69	Pass
△ ángulo 13	X/Y Angle	108.00	107.36	±1.00	-0.64	Pass
△ angle 7	X/Y Angle	88.00	87.05	±1.00	-0.95	Pass

ANGULAR POSITION CLAMP M027-M028

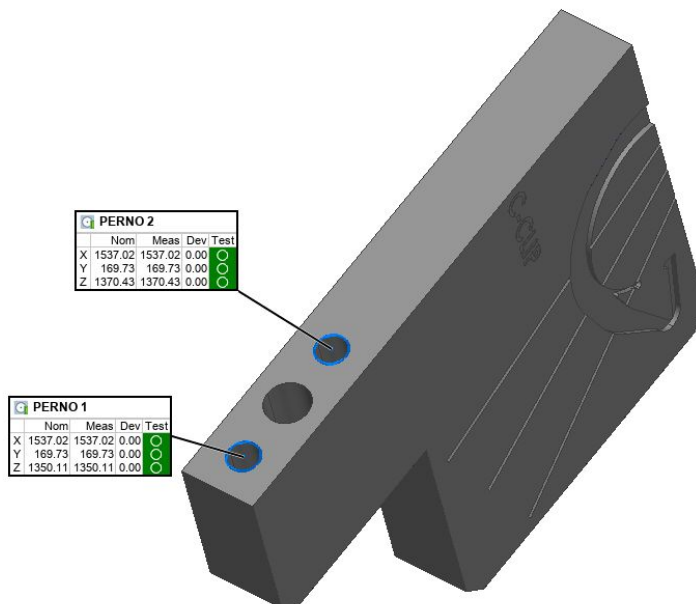
Length Units Millimeters

Name	Control	Nom	Meas	Tol	Dev	Test
△ angle 4	3D Angle 1	10.00	9.87	±1.00	-0.13	Pass
△ angle 5	3D Angle 1	20.00	19.84	±1.00	-0.16	Pass
△ angle 9	3D Angle 1	0.00	0.16	±1.00	0.16	Pass

Customer: MAGOVE
Operator: GAMALIEL LUGO
E-mail: gamaliel@mess

Part name: REY004
Part number: 68577400AC
Piece: pieza 1





ALINEACION

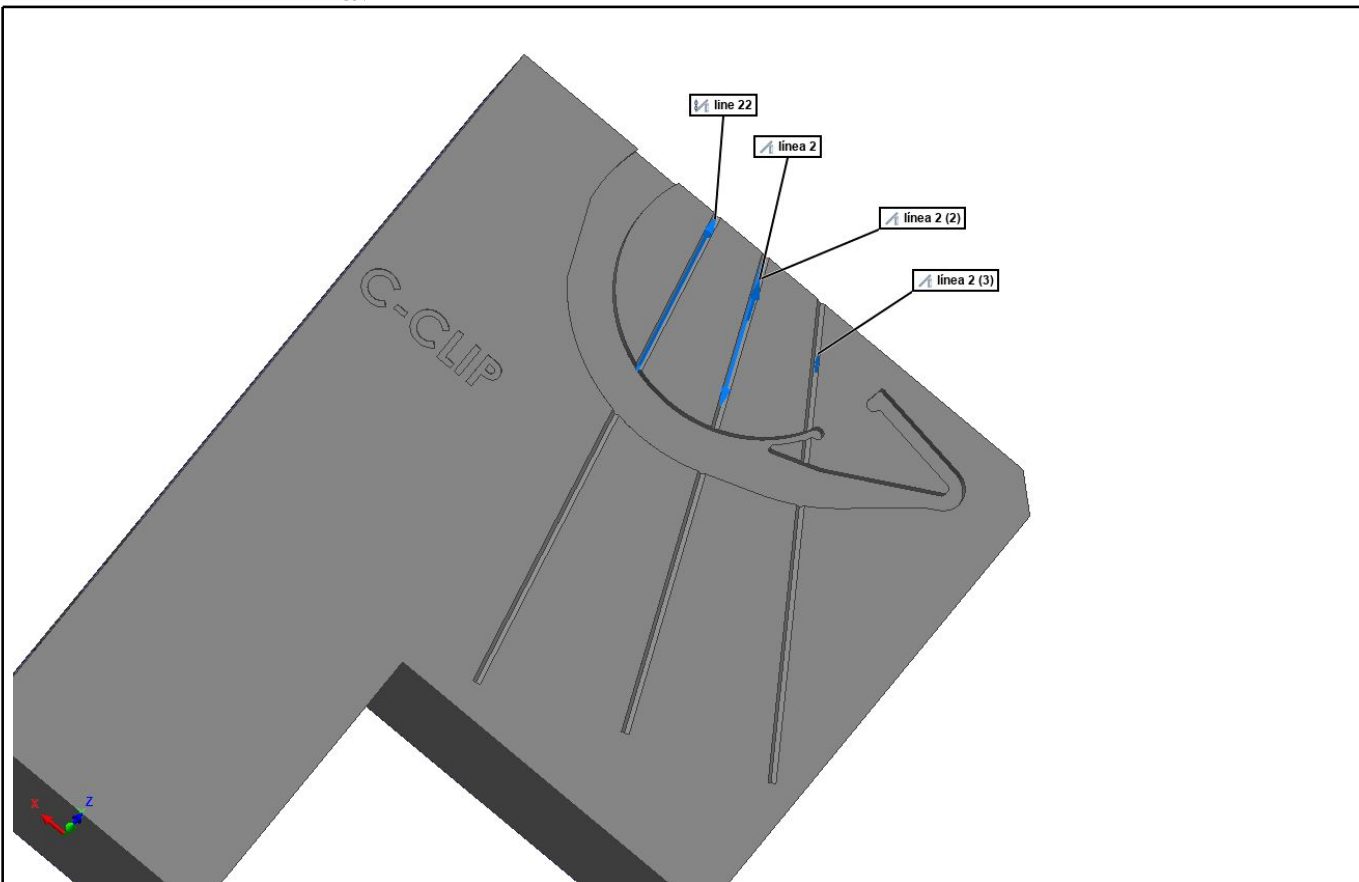
Length Units Millimeters

Name	Control	Nom	Meas	Tol	Dev	Test
PERNO 1	X	1537.02	1537.02	±0.05	0.00	Pass
	Y	169.73	169.73	±0.05	0.00	Pass
	Z	1350.11	1350.11	±0.05	0.00	Pass
PERNO 2	X	1537.02	1537.02	±0.05	0.00	Pass
	Y	169.73	169.73	±0.05	0.00	Pass
	Z	1370.43	1370.43	±0.05	0.00	Pass

Customer: MAGOVE
Operator: GAMALIEL LUGO
E-mail: gamaliel@mess

Part name: REY004
Part number: 68577400AC
Piece: pieza 1





ANGULAR POSITION C CLIP (M002-M003)

Length Units Millimeters

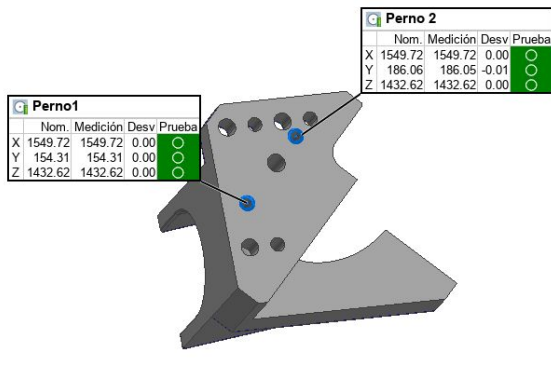
Name	Control	Nom	Meas	Tol	Dev	Test
△ angle 10	3D Angle 2	147.00	146.44	±1.00	-0.56	Pass
△ angle 11	3D Angle 2	137.00	137.04	±1.00	0.04	Pass
△ angle 12	3D Angle 2	157.00	156.95	±1.00	-0.05	Pass

Customer: MAGOVE
Operator: GAMALIEL LUGO
E-mail: gamaliel@mess

Part name: REY004
Part number: 68577400AC
Piece: pieza 1



mundo
B26



ALINEACION

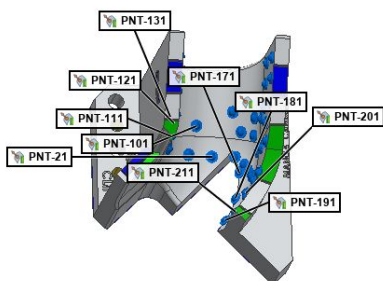
Length Units Millimeters

Name	Control	Nom	Meas	Tol	Dev	Test
Perno1	X	1549.72	1549.72	±0.05	0.00	Pass
	Y	154.31	154.31	±0.05	0.00	Pass
	Z	1432.62	1432.62	±0.05	0.00	Pass
Perno 2	X	1549.72	1549.72	±0.05	0.00	Pass
	Y	186.06	186.05	±0.05	-0.01	Pass
	Z	1432.62	1432.62	±0.05	0.00	Pass

Customer: MAGOVE
Operator: GAMALIEL LUGO
E-mail: gamaliel@mess

Part name: REY004
Part number: 68577400AC
Piece: pieza 1





Comparison Point Table

Units Millimeters

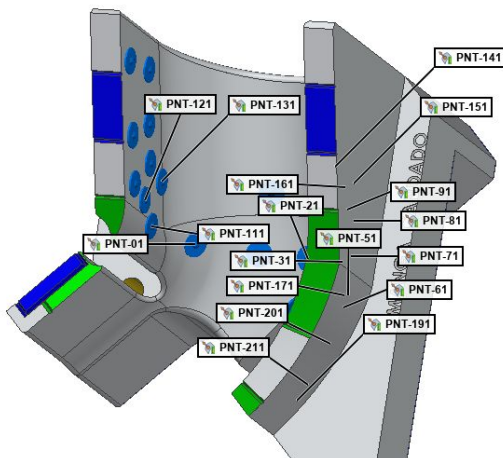
Name	Control	Nom	Meas	Tol	Dev	Test
PNT-01	Surface Distance		0.03	±0.20	0.03	Pass
PNT-11	Surface Distance		-0.05	±0.20	-0.05	Pass
PNT-21	Surface Distance		0.01	±0.20	0.01	Pass
PNT-31	Surface Distance		0.12	±0.20	0.12	Pass
PNT-41	Surface Distance		-0.09	±0.20	-0.09	Pass
PNT-51	Surface Distance		0.05	±0.20	0.05	Pass
PNT-61	Surface Distance		-0.11	±0.20	-0.11	Pass
PNT-71	Surface Distance		-0.12	±0.20	-0.12	Pass
PNT-81	Surface Distance		0.10	±0.20	0.10	Pass
PNT-91	Surface Distance		-0.01	±0.20	-0.01	Pass
PNT-101	Surface Distance		0.04	±0.20	0.04	Pass
PNT-111	Surface Distance		0.06	±0.20	0.06	Pass
PNT-121	Surface Distance		-0.10	±0.20	-0.10	Pass
PNT-131	Surface Distance		-0.07	±0.20	-0.07	Pass
PNT-141	Surface Distance		0.04	±0.20	0.04	Pass
PNT-151	Surface Distance		-0.07	±0.20	-0.07	Pass
PNT-161	Surface Distance		0.08	±0.20	0.08	Pass
PNT-171	Surface Distance		0.00	±0.20	0.00	Pass
PNT-181	Surface Distance		0.12	±0.20	0.12	Pass
PNT-191	Surface Distance		0.07	±0.20	0.07	Pass
PNT-201	Surface Distance		0.06	±0.20	0.06	Pass
PNT-211	Surface Distance		-0.03	±0.20	-0.03	Pass

Customer: MAGOVE
Operator: GAMALIEL LUGO
E-mail: gamaliel@mess

Part name: REY004
Part number: 68577400AC
Piece: pieza 1



mundo
B26



Comparison Point Table

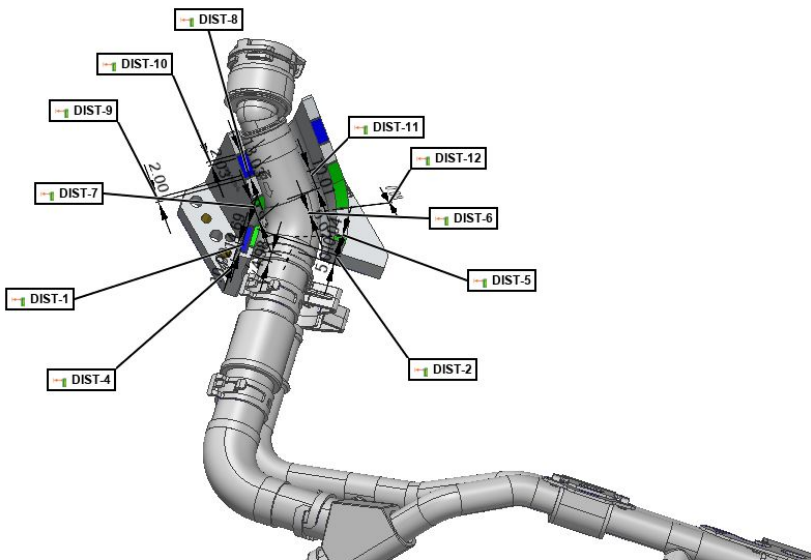
Units Millimeters

Name	Control	Nom	Meas	Tol	Dev	Test
PNT-01	Surface Distance		0.03	±0.20	0.03	Pass
PNT-11	Surface Distance		-0.05	±0.20	-0.05	Pass
PNT-21	Surface Distance		0.01	±0.20	0.01	Pass
PNT-31	Surface Distance		0.12	±0.20	0.12	Pass
PNT-41	Surface Distance		-0.09	±0.20	-0.09	Pass
PNT-51	Surface Distance		0.05	±0.20	0.05	Pass
PNT-61	Surface Distance		-0.11	±0.20	-0.11	Pass
PNT-71	Surface Distance		-0.12	±0.20	-0.12	Pass
PNT-81	Surface Distance		0.10	±0.20	0.10	Pass
PNT-91	Surface Distance		-0.01	±0.20	-0.01	Pass
PNT-101	Surface Distance		0.04	±0.20	0.04	Pass
PNT-111	Surface Distance		0.06	±0.20	0.06	Pass
PNT-121	Surface Distance		-0.10	±0.20	-0.10	Pass
PNT-131	Surface Distance		-0.07	±0.20	-0.07	Pass
PNT-141	Surface Distance		0.04	±0.20	0.04	Pass
PNT-151	Surface Distance		-0.07	±0.20	-0.07	Pass
PNT-161	Surface Distance		0.08	±0.20	0.08	Pass
PNT-171	Surface Distance		0.00	±0.20	0.00	Pass
PNT-181	Surface Distance		0.12	±0.20	0.12	Pass
PNT-191	Surface Distance		0.07	±0.20	0.07	Pass
PNT-201	Surface Distance		0.06	±0.20	0.06	Pass
PNT-211	Surface Distance		-0.03	±0.20	-0.03	Pass

Customer: MAGOVE
Operator: GAMALIEL LUGO
E-mail: gamaliel@mess

Part name: REY004
Part number: 68577400AC
Piece: pieza 1





CLIPS

Length Units Millimeters

Name	Control	Nom	Meas	Tol	Dev	Test	Out Tol
↔ DIST-1	Y Distance	14.70	14.69	±0.12	-0.01	Pass	

POSICIÓN

Length Units Millimeters

Name	Control	Nom	Meas	Tol	Dev	Test	Out Tol
↔ DIST-2	Y Distance	5.00	5.01	±0.20	0.01	Pass	
↔ DIST-3	Y Distance	5.00	4.98	±0.20	-0.02	Pass	

SLEEVE POSITION M002-M003

Length Units Millimeters

Name	Control	Nom	Meas	Tol	Dev	Test	Out Tol
↔ DIST-6	3D Distance	0.00	0.02	±0.20	0.02	Pass	
↔ DIST-7	3D Distance	10.00	10.03	±0.20	0.03	Pass	

Customer: MAGOVE
Operator: GAMALIEL LUGO
E-mail: gamaliel@mess

Part name: REY004
Part number: 68577400AC
Piece: pieza 1



SLEEVE POSITION M002-M003

Length Units Millimeters

Name	Control	Nom	Meas	Tol	Dev	Test
↔ DIST-11	3D Distance	10.00	10.01	±0.20	0.01	Pass
↔ DIST-12	3D Distance	0.00	0.08	±0.20	0.08	Pass

TOL. PERFIL DE CANDADO

Length Units Millimeters

Name	Control	Nom	Meas	Tol	Dev	Test	Out Tol
↔ DIST-8	3D Distance	13.00	13.03	±0.12	0.03	Pass	

POSICION

Length Units Millimeters

Name	Control	Nom	Meas	Tol	Dev	Test	Out Tol
↔ DIST-9	3D Distance	2.01	2.00	±0.20	-0.01	Pass	
↔ DIST-10	3D Distance	2.00	2.03	±0.20	0.03	Pass	

Customer: MAGOVE
Operator: GAMALIEL LUGO
E-mail: gamaliel@mess

Part name: REY004
Part number: 68577400AC
Piece: pieza 1

