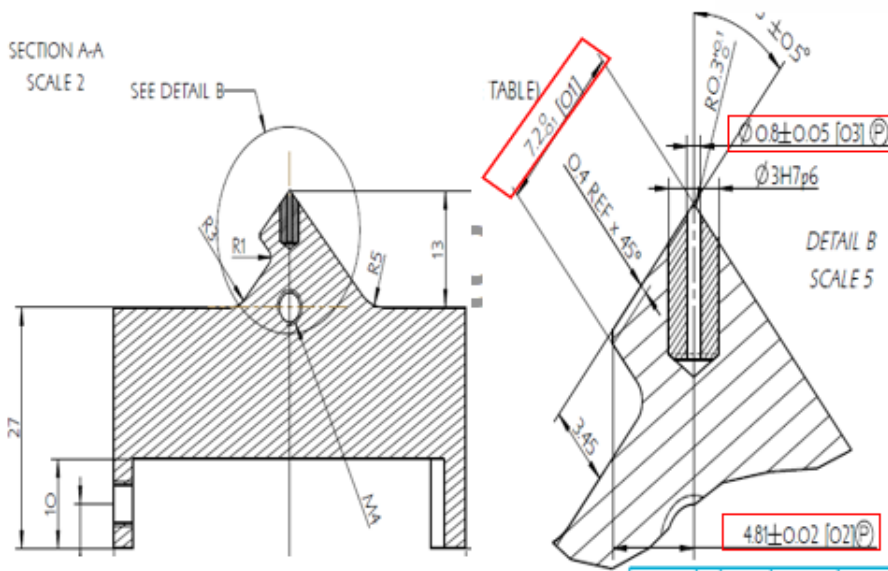


Routine Name	Run #	Date & Time
Q0000-0093 E#12.1.mxi	1	2025-04-03

Feature	Unit	Nominal	Actual	Tolerances	Deviation	Exceeded
Step 8 - ITEM 01						
■ Width	mm	+7.2000	+7.1621	+0.0000 -0.1000	-0.0379	--
Step 12 - ITEM 02						
■ Width	mm	+4.8100	+4.8273	+0.0200 -0.0200	+0.0173	++++
Step 13 - ITEM 03						
■ Diameter	mm	+0.8000	+0.8385	+0.0500 -0.0500	+0.0385	++++

ID: Q0000-0093 E #12.1



Prox. cal 2026
 3 COTAS

