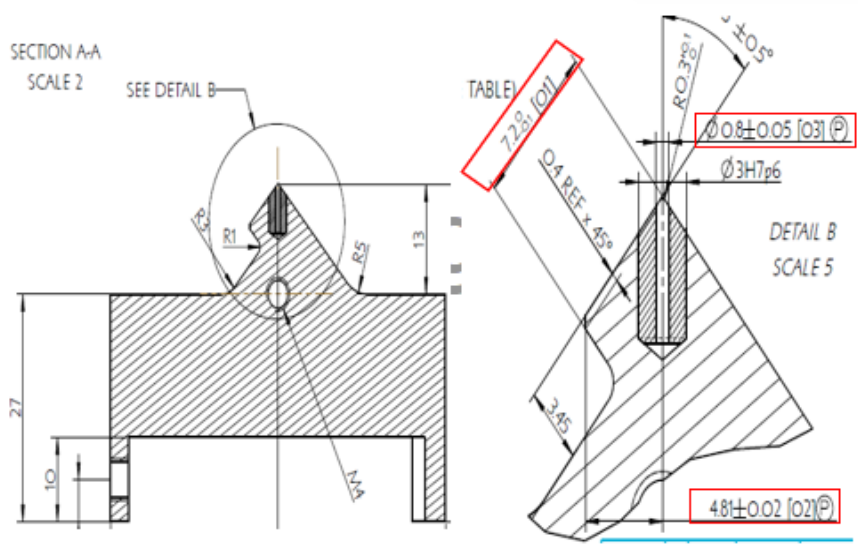


| Routine Name             | Run # | Date & Time |
|--------------------------|-------|-------------|
| Q0000-0093 E#11.1mxi.mxi | 1     | 2025-03-27  |

| Feature           | Unit | Nominal | Actual | Tolerances | Deviation | Exceeded   |
|-------------------|------|---------|--------|------------|-----------|------------|
| Step 8 - ITEM 01  |      |         |        |            |           |            |
| ■ Width           | mm   | +7.200  | +7.171 | +0.000     | -0.100    | -0.029 --  |
| Step 12 - ITEM 02 |      |         |        |            |           |            |
| ■ Width           | mm   | +4.810  | +4.797 | +0.020     | -0.020    | -0.013 --- |
| Step 13 - ITEM 03 |      |         |        |            |           |            |
| ■ Diameter        | mm   | +0.800  | +0.805 | +0.050     | -0.050    | +0.005 +   |

**ID: Q0000-0093 E #11.1**



Prox. cal 2026  
 3 COTAS

