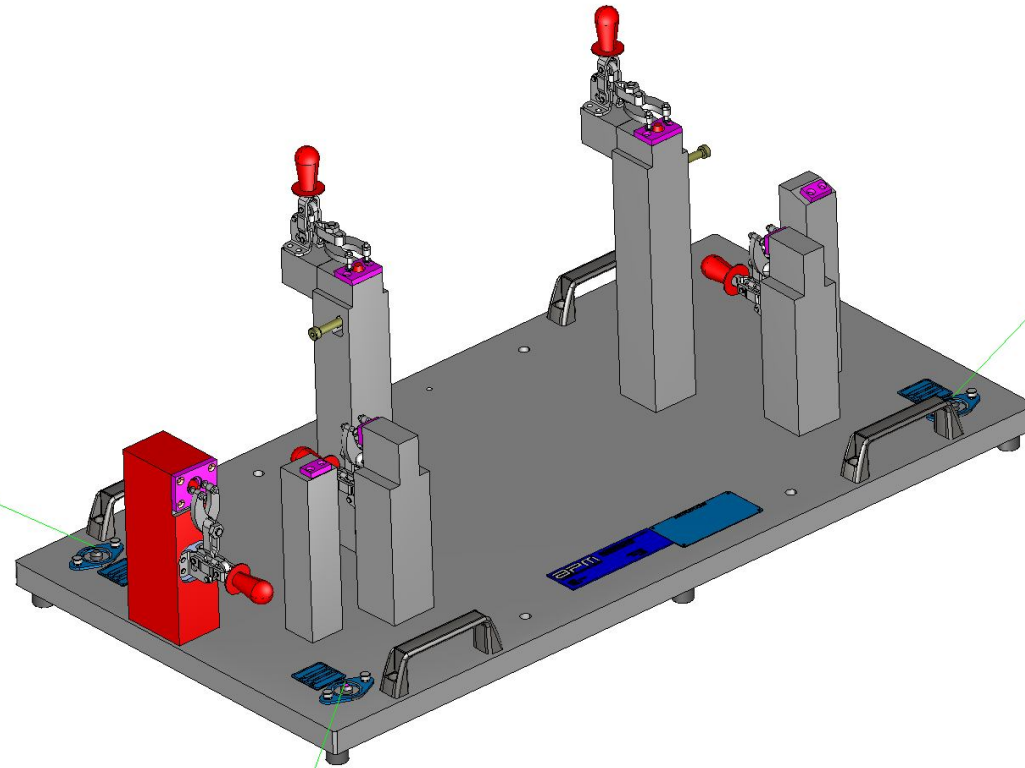




Programme All Characteristics	Plan Name JOB 8244-W	Date 2025-03-24	Temperature workpiece	Drawing No. JOB 8244-W
Incremental Part Number 1	Audit-No.:	Time 7:34:52 am	Operator Master	Revision Date



TB#3-PLANE			
	Act	Nom	Dev
X	3383.264	3383.270	-0.006
Y	-397.385	-397.379	-0.006
Z	-85.000	-85.000	-0.000

TB#2-ALIGN			
	Act	Nom	Dev
X	3740.500	3740.500	0.000
Y	371.621	371.621	-0.000
Z	-85.000	-85.000	-0.000

TB#1-ORIGIN			
	Act	Nom	Dev
X	3740.500	3740.500	0.000
Y	-397.363	-397.350	-0.013
Z	-85.000	-85.000	-0.000

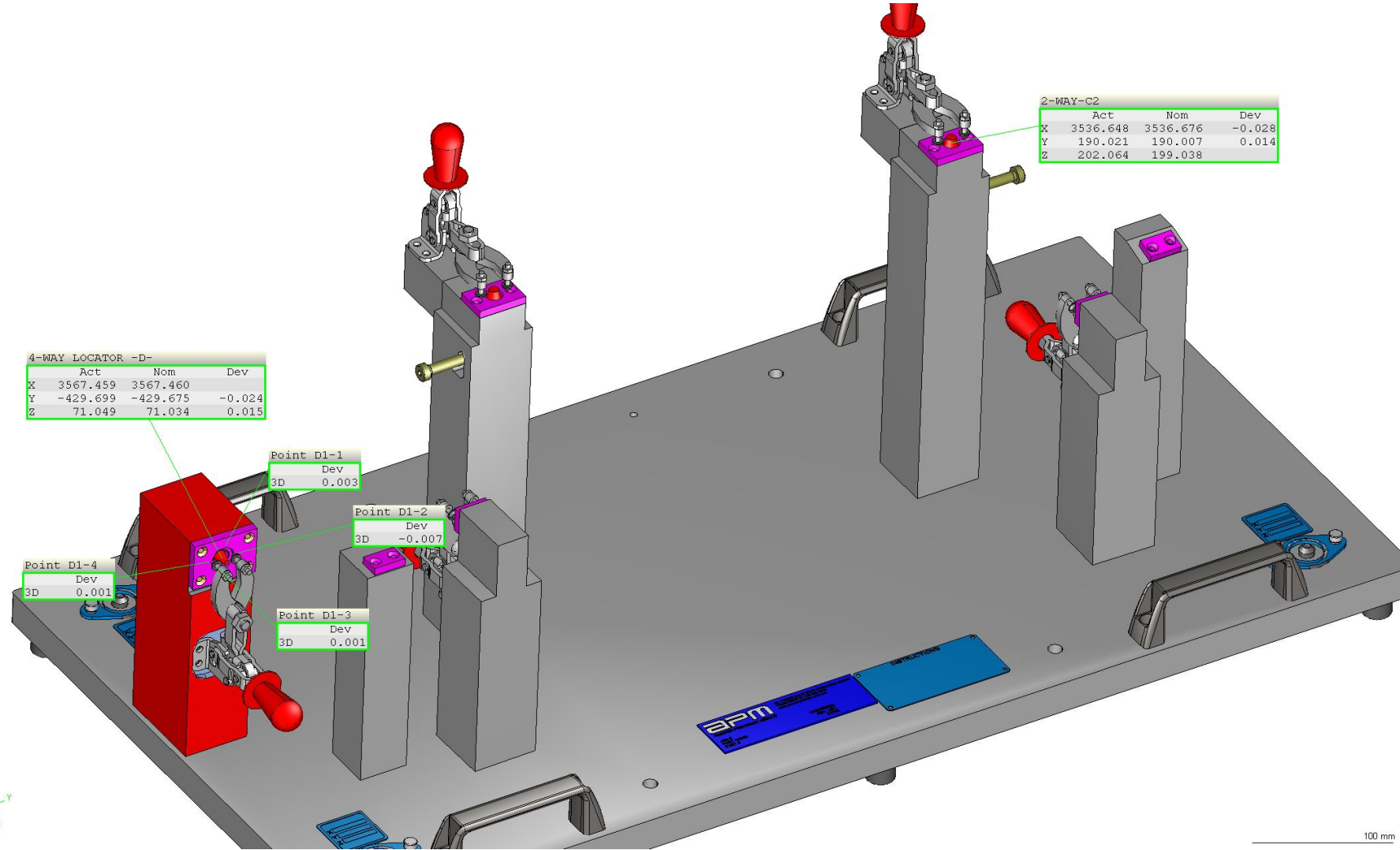


100 mm





Programme All Characteristics	Plan Name JOB 8244-W	Date 2025-03-24	Temperature workpiece	Drawing No. JOB 8244-W
Incremental Part Number 1	Audit-No.:	Time 7:34:52 am	Operator Master	Revision Date



4-WAY LOCATOR -D-

	Act	Nom	Dev
X	3567.459	3567.460	
Y	-429.699	-429.675	-0.024
Z	71.049	71.034	0.015

Point D1-1

Dev
3D 0.003

Point D1-2

Dev
3D -0.007

Point D1-4

Dev
3D 0.001

Point D1-3

Dev
3D 0.001

2-WAY-C2

	Act	Nom	Dev
X	3536.648	3536.676	-0.028
Y	190.021	190.007	0.014
Z	202.064	199.038	

100 mm



Name	ID	Actual	Nominal	pos Tol	neg Tol	Diff	<-- -->
------	----	--------	---------	---------	---------	------	---------

ALIGNMENT

X Value_TB#1-ORIGIN	X	3740.500	3740.500			0.000	
Y Value_TB#1-ORIGIN	Y	-397.363	-397.350			-0.013	
Z Value_TB#1-ORIGIN	Z	-85.000	-85.000			0.000	
X Value_TB#2-ALIGN	X	3740.500	3740.500			0.000	
Y Value_TB#2-ALIGN	Y	371.621	371.621			0.000	
Z Value_TB#2-ALIGN	Z	-85.000	-85.000			0.000	
X Value_TB#3-PLANE	X	3383.264	3383.270			-0.006	
Y Value_TB#3-PLANE	Y	-397.385	-397.379			-0.006	
Z Value_TB#3-PLANE	Z	-85.000	-85.000			0.000	

2-WAY-C2-

X Value_2-WAY-C2	X	3536.648	3536.676	0.150	-0.150	-0.028	-
Y Value_2-WAY-C2	Y	190.021	190.007	0.050	-0.050	0.014	--

NET LOCATOR -D-

Space Point Distance_Point D1-1	PtDist	0.003	0.000	0.050	-0.050	0.003	-
X Value_Point D1-1	X	3567.737	3567.734	0.050	-0.050	0.003	-
Y Value_Point D1-1	Y	-427.547	-427.547	0.050	-0.050	0.000	
Z Value_Point D1-1	Z	82.634	82.634	0.050	-0.050	0.000	
Space Point Distance_Point D1-2	PtDist	-0.007	0.000	0.050	-0.050	-0.007	-
X Value_Point D1-2	X	3567.947	3567.954	0.050	-0.050	-0.007	-
Y Value_Point D1-2	Y	-418.170	-418.170	0.050	-0.050	0.000	
Z Value_Point D1-2	Z	72.266	72.266	0.050	-0.050	0.000	
Space Point Distance_Point D1-3	PtDist	0.001	0.000	0.050	-0.050	0.001	
X Value_Point D1-3	X	3567.319	3567.318	0.050	-0.050	0.001	
Y Value_Point D1-3	Y	-429.876	-429.876	0.050	-0.050	0.000	
Z Value_Point D1-3	Z	60.209	60.209	0.050	-0.050	0.000	
Space Point Distance_Point D1-4	PtDist	0.001	0.000	0.050	-0.050	0.001	
X Value_Point D1-4	X	3567.106	3567.105	0.050	-0.050	0.001	
Y Value_Point D1-4	Y	-440.507	-440.507	0.050	-0.050	0.000	
Z Value_Point D1-4	Z	72.055	72.055	0.050	-0.050	0.000	
Y Value_4-WAY LOCATOR -D-	Y	-429.699	-429.675	0.050	-0.050	-0.024	--



Plan Name JOB 8244-W

Operator Master

DATE 2025-03-24 Time 7:35:00 am



Número de informe
MESS-IM-LDE-0302-2025
Pág. 7 de 7

Name	id	actual	nominal	pos tol	neg tol	diff	<-- -->
Z Value_4-WAY LOCATOR -D-	Z	71.049	71.034	0.100	-0.100	0.015	-

