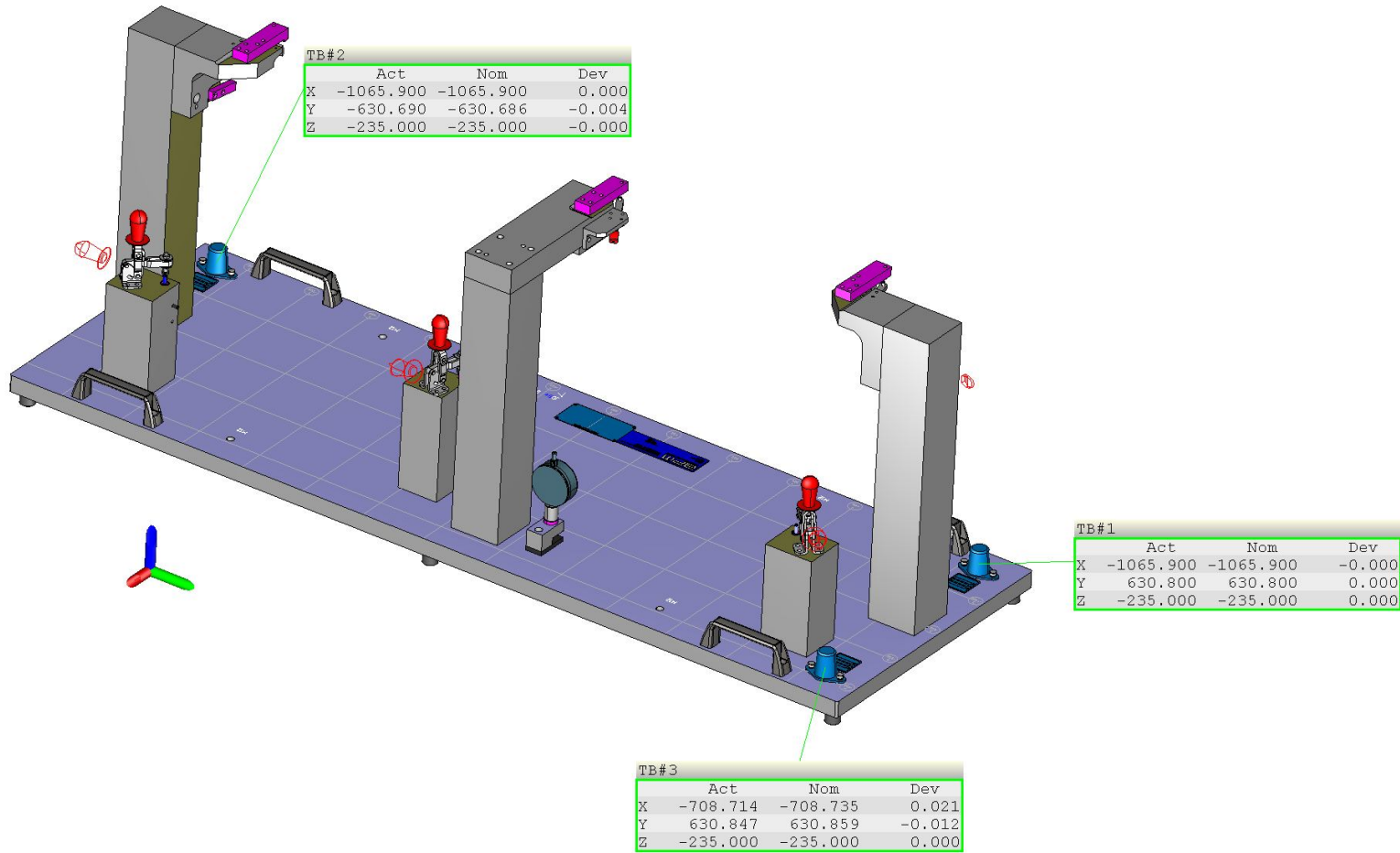




Programme All Characteristics	Plan Name JOB 8336-W	Date 2025-03-21	Temperature workpiece	Drawing No. JOB-8336
Incremental Part Number 1	Audit-No.:	Time 7:29:29 am	Operator Master	Revision Date

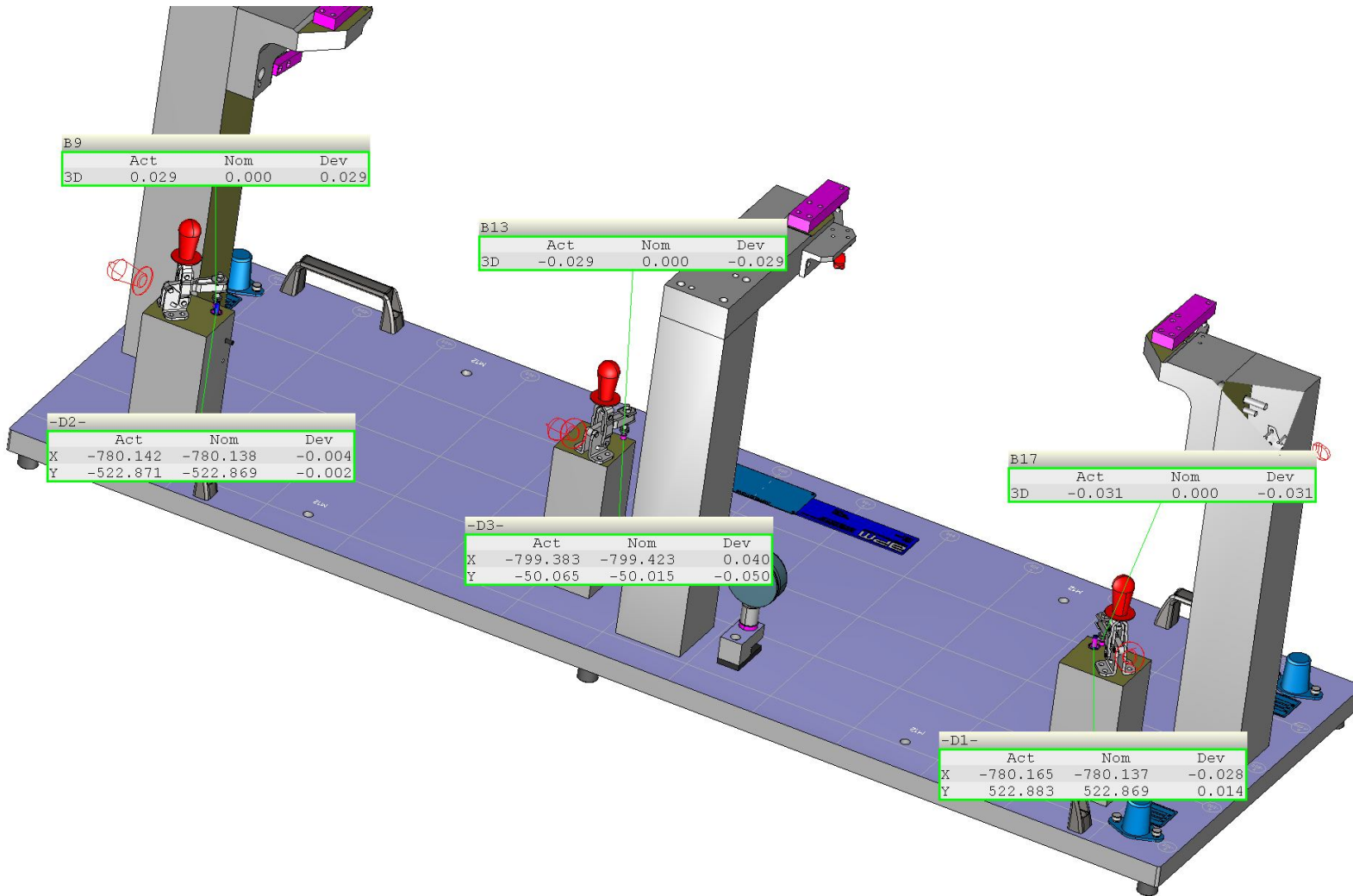


200 mm



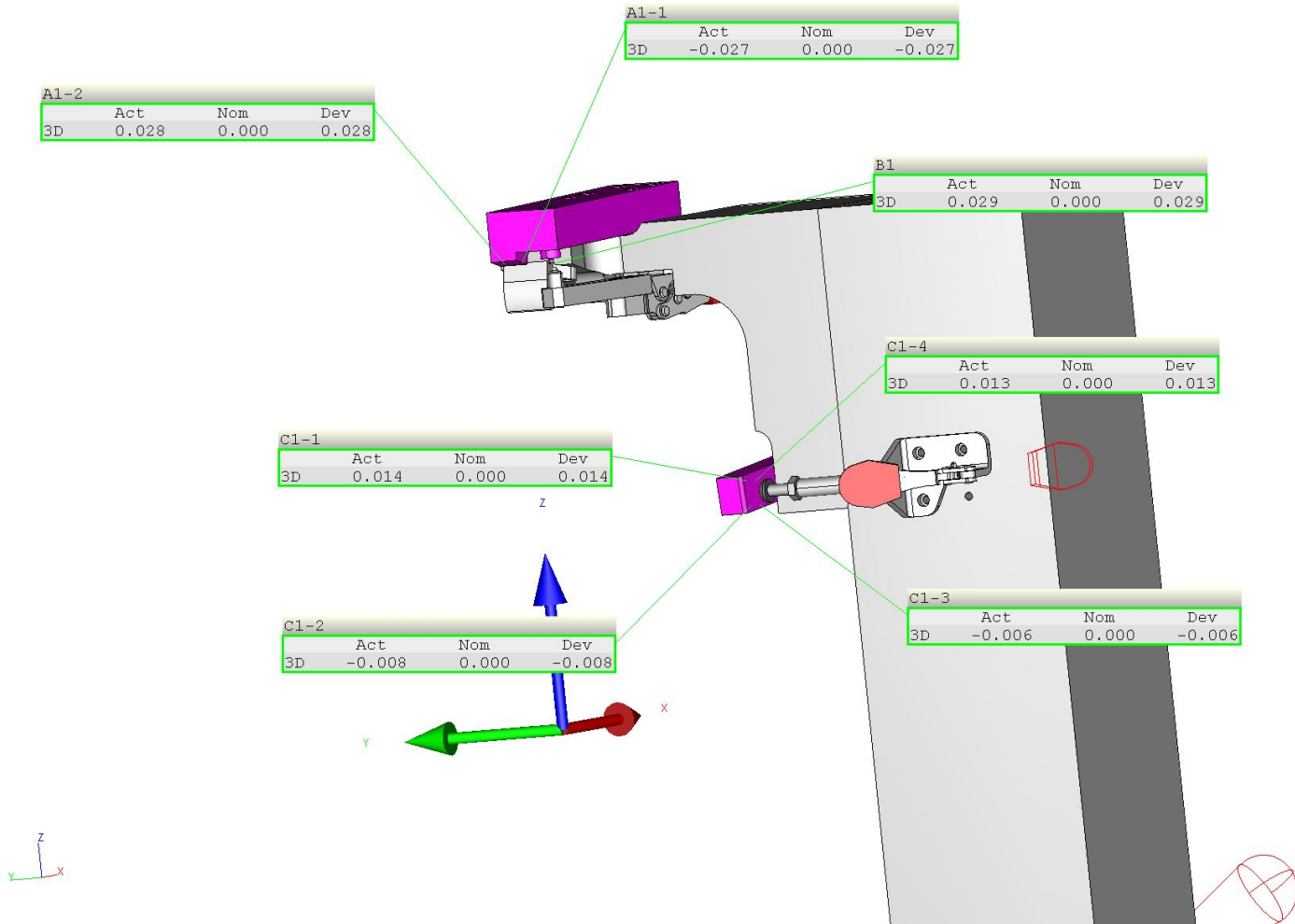


Programme All Characteristics	Plan Name JOB 8336-W	Date 2025-03-21	Temperature workpiece	Drawing No. JOB-8336
Incremental Part Number 1	Audit-No.:	Time 7:29:29 am	Operator Master	Revision Date



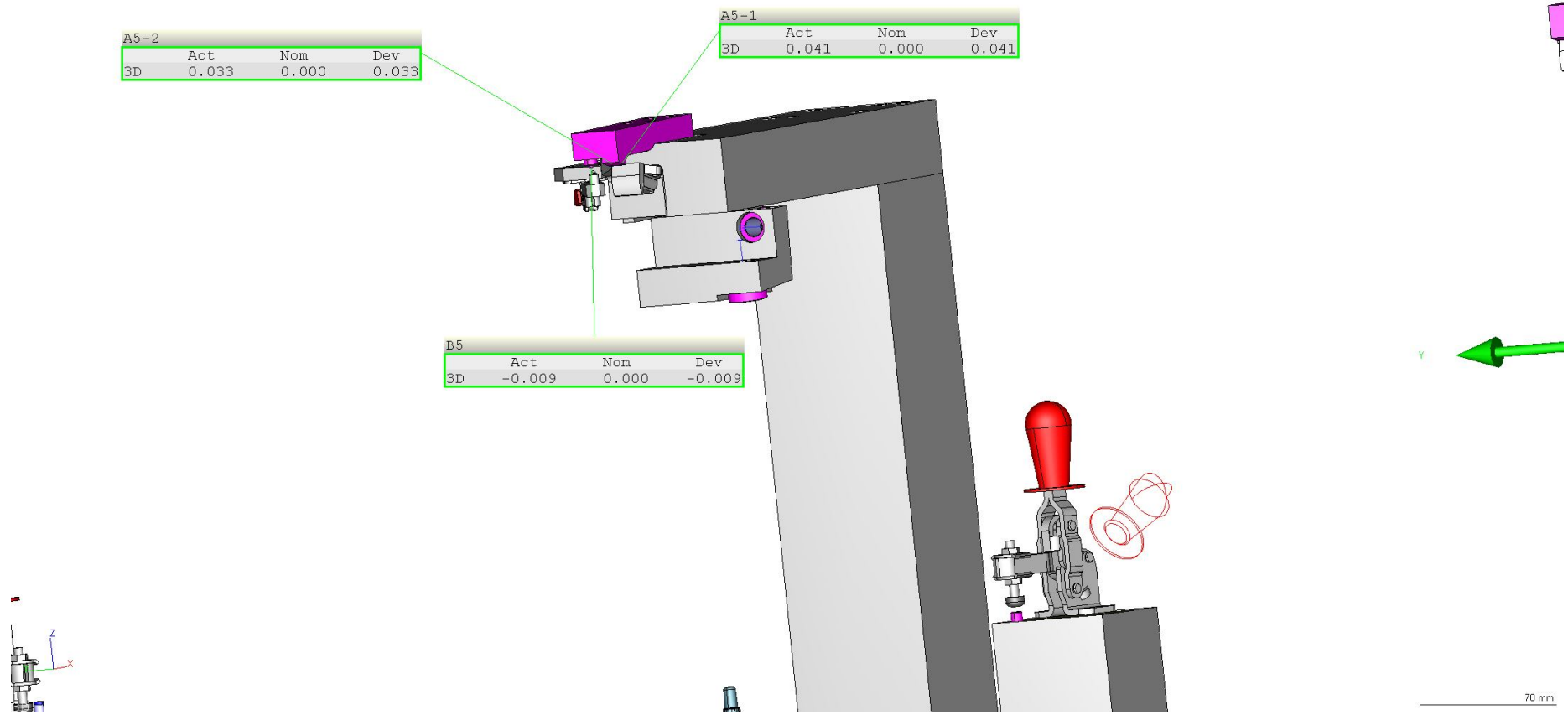


Programme All Characteristics	Plan Name JOB 8336-W	Date 2025-03-21	Temperature workpiece	Drawing No. JOB-8336
Incremental Part Number 1	Audit-No.:	Time 7:29:29 am	Operator Master	Revision Date



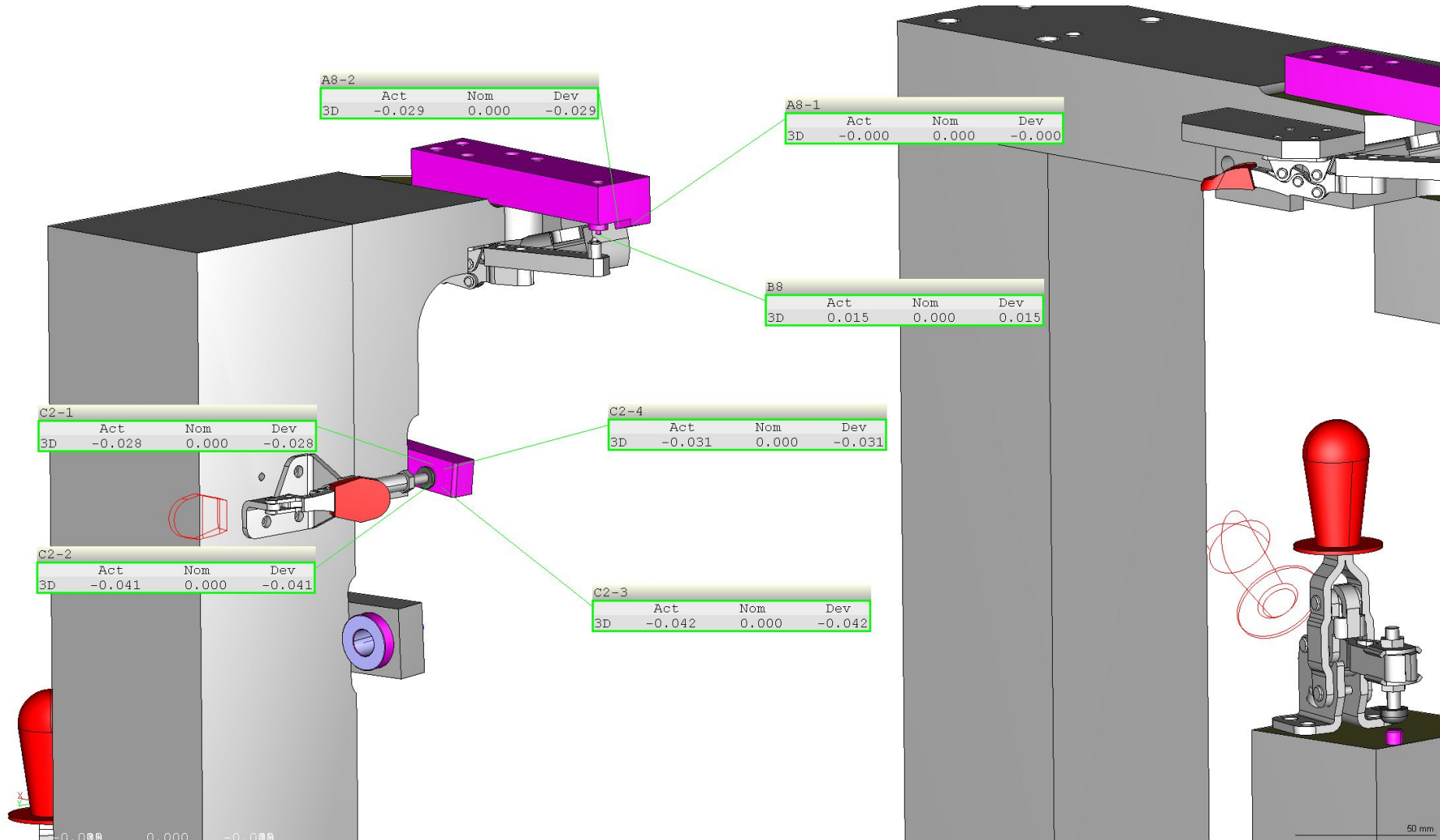


Programme All Characteristics	Plan Name JOB 8336-W	Date 2025-03-21	Temperature workpiece	Drawing No. JOB-8336
Incremental Part Number 1	Audit-No.:	Time 7:29:29 am	Operator Master	Revision Date



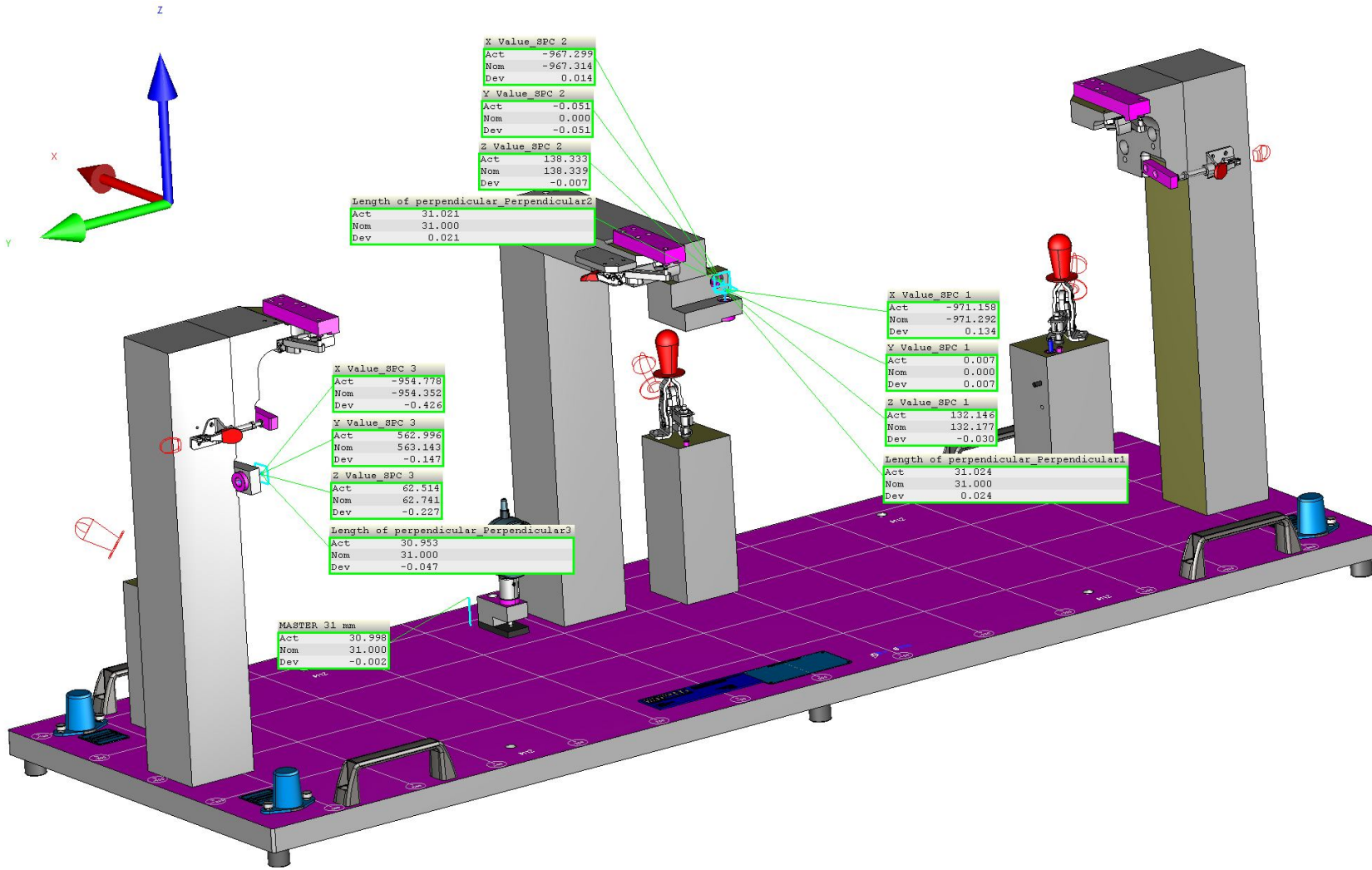


Programme All Characteristics	Plan Name JOB 8336-W	Date 2025-03-21	Temperature workpiece	Drawing No. JOB-8336
Incremental Part Number 1	Audit-No.:	Time 7:29:29 am	Operator Master	Revision Date





Programme All Characteristics	Plan Name JOB 8336-W	Date 2025-03-21	Temperature workpiece	Drawing No. JOB-8336
Incremental Part Number 1	Audit-No.:	Time 7:29:29 am	Operator Master	Revision Date



Name	ID	Actual	Nominal	pos Tol	neg Tol	Diff	<-- -->
------	----	--------	---------	---------	---------	------	---------

POSITION OF TOOLING BALLS

X Value_TB#1	X	-1065.900	-1065.900			0.000	
Y Value_TB#1	Y	630.800	630.800			0.000	
Z Value_TB#1	Z	-235.000	-235.000			0.000	
X Value_TB#2	X	-1065.900	-1065.900			0.000	
Y Value_TB#2	Y	-630.690	-630.686			-0.004	
Z Value_TB#2	Z	-235.000	-235.000			0.000	
X Value_TB#3	X	-708.714	-708.735			0.021	
Y Value_TB#3	Y	630.847	630.859			-0.012	
Z Value_TB#3	Z	-235.000	-235.000			0.000	

POSITION OF NEW -4- WAY LOCATOR -D3-

X Value_-D3-	X	-799.383	-799.423	0.050	-0.050	0.040	----
Y Value_-D3-	Y	-50.065	-50.015	0.050	-0.050	-0.050	----
X Value_-D1-	X	-780.165	-780.137	0.050	-0.050	-0.028	---
Y Value_-D1-	Y	522.883	522.869	0.050	-0.050	0.014	--

POSITION OF NET LOCATOR -B17-

Space Point Distance_B17	PtDist	-0.031	0.000	0.050	-0.050	-0.031	---
X Value_B17	X	-788.754	-788.753	0.050	-0.050	-0.001	
Y Value_B17	Y	527.856	527.856	0.050	-0.050	0.000	
Z Value_B17	Z	-91.900	-91.869	0.050	-0.050	-0.031	---

POSITION OF NET LOCATOR -B13-

Space Point Distance_B13	PtDist	-0.029	0.000	0.050	-0.050	-0.029	---
X Value_B13	X	-808.468	-808.468	0.050	-0.050	0.000	
Y Value_B13	Y	-55.098	-55.098	0.050	-0.050	0.000	
Z Value_B13	Z	-77.633	-77.604	0.050	-0.050	-0.029	---

POSITION OF NET LOCATOR -B9-

Space Point Distance_B9	PtDist	0.029	0.000	0.050	-0.050	0.029	---
X Value_B9	X	-788.267	-788.267	0.050	-0.050	0.000	
Y Value_B9	Y	-528.133	-528.133	0.050	-0.050	0.000	





Name	id	actual	nominal	pos tol	neg tol	diff	<-- -->
Z Value_B9	Z	-91.851	-91.880	0.050	-0.050	0.029	---

POSITION OF -4- WAY LOCATOR -D2-

X Value_-D2-	X	-780.142	-780.138	0.050	-0.050	-0.004	-
Y Value_-D2-	Y	-522.871	-522.869	0.050	-0.050	-0.002	-
Z Value_-D2-	Z	-92.045	-92.045	0.050	-0.050	0.000	

POSITION OF NET LOCATOR -C1-

Space Point Distance_C1-1	PtDist	0.014	0.000	0.050	-0.050	0.014	--
X Value_C1-1	X	-965.484	-965.485	0.050	-0.050	0.001	
Y Value_C1-1	Y	-559.716	-559.702	0.050	-0.050	-0.014	--
Z Value_C1-1	Z	121.700	121.700	0.050	-0.050	0.000	
Space Point Distance_C1-2	PtDist	-0.008	0.000	0.050	-0.050	-0.008	-
X Value_C1-2	X	-964.102	-964.102	0.050	-0.050	0.000	
Y Value_C1-2	Y	-559.762	-559.770	0.050	-0.050	0.008	-
Z Value_C1-2	Z	112.792	112.792	0.050	-0.050	0.000	
Space Point Distance_C1-3	PtDist	-0.006	0.000	0.050	-0.050	-0.006	-
X Value_C1-3	X	-957.951	-957.951	0.050	-0.050	0.000	
Y Value_C1-3	Y	-560.086	-560.092	0.050	-0.050	0.006	-
Z Value_C1-3	Z	113.023	113.023	0.050	-0.050	0.000	
Space Point Distance_C1-4	PtDist	0.013	0.000	0.050	-0.050	0.013	--
X Value_C1-4	X	-959.505	-959.506	0.050	-0.050	0.001	
Y Value_C1-4	Y	-560.026	-560.014	0.050	-0.050	-0.012	-
Z Value_C1-4	Z	120.831	120.831	0.050	-0.050	0.000	

POSITION OF NET LOCATOR -A1-

Space Point Distance_A1-1	PtDist	-0.027	0.000	0.050	-0.050	-0.027	---
X Value_A1-1	X	-986.178	-986.152	0.050	-0.050	-0.026	---
Y Value_A1-1	Y	-494.389	-494.387	0.050	-0.050	-0.002	-
Z Value_A1-1	Z	201.883	201.876	0.050	-0.050	0.007	-
Space Point Distance_A1-2	PtDist	0.028	0.000	0.050	-0.050	0.028	---
X Value_A1-2	X	-986.598	-986.625	0.050	-0.050	0.027	---
Y Value_A1-2	Y	-488.137	-488.139	0.050	-0.050	0.002	-
Z Value_A1-2	Z	201.901	201.908	0.050	-0.050	-0.007	-

POSITION OF NET LOCATOR -B1-

Space Point Distance_B1	PtDist	0.029	0.000	0.050	-0.050	0.029	---
X Value_B1	X	-987.594	-987.594	0.050	-0.050	0.000	
Y Value_B1	Y	-505.804	-505.804	0.050	-0.050	0.000	
Z Value_B1	Z	200.819	200.848	0.050	-0.050	-0.029	---





Name	id	actual	nominal	pos tol	neg tol	diff	<-- -->
------	----	--------	---------	---------	---------	------	---------

POSITION OF NET LOCATOR -B5-

Space Point Distance_B5	PtDist	-0.009	0.000	0.050	-0.050	-0.009	-
X Value_B5	X	-980.780	-980.780	0.050	-0.050	0.000	
Y Value_B5	Y	76.050	76.050	0.050	-0.050	0.000	
Z Value_B5	Z	175.809	175.800	0.050	-0.050	0.009	-

POSITION OF NET LOCATOR -A5-

Space Point Distance_A5-1	PtDist	0.041	0.000	0.050	-0.050	0.041	----
X Value_A5-1	X	-978.642	-978.681	0.050	-0.050	0.039	----
Y Value_A5-1	Y	58.996	58.996	0.050	-0.050	0.000	
Z Value_A5-1	Z	177.306	177.317	0.050	-0.050	-0.011	-
Space Point Distance_A5-2	PtDist	0.033	0.000	0.050	-0.050	0.033	---
X Value_A5-2	X	-978.549	-978.581	0.050	-0.050	0.032	---
Y Value_A5-2	Y	64.699	64.699	0.050	-0.050	0.000	
Z Value_A5-2	Z	177.491	177.500	0.050	-0.050	-0.009	-

POSITION OF NET LOCATOR -B8-

Space Point Distance_B8	PtDist	0.015	0.000	0.050	-0.050	0.015	--
X Value_B8	X	-987.561	-987.561	0.050	-0.050	0.000	
Y Value_B8	Y	505.869	505.869	0.050	-0.050	0.000	
Z Value_B8	Z	200.833	200.848	0.050	-0.050	-0.015	--

POSITION OF NET LOCATOR -A8-

Space Point Distance_A8-1	PtDist	0.000	0.000	0.050	-0.050	0.000	
X Value_A8-1	X	-986.599	-986.599	0.050	-0.050	0.000	
Y Value_A8-1	Y	487.927	487.927	0.050	-0.050	0.000	
Z Value_A8-1	Z	202.003	202.003	0.050	-0.050	0.000	
Space Point Distance_A8-2	PtDist	-0.029	0.000	0.050	-0.050	-0.029	---
X Value_A8-2	X	-986.194	-986.166	0.050	-0.050	-0.028	---
Y Value_A8-2	Y	494.254	494.252	0.050	-0.050	0.002	-
Z Value_A8-2	Z	201.873	201.865	0.050	-0.050	0.008	-

POSITION OF NET LOCATOR -C2-

Space Point Distance_C2-1	PtDist	-0.028	0.000	0.050	-0.050	-0.028	---
X Value_C2-1	X	-958.512	-958.513	0.050	-0.050	0.001	
Y Value_C2-1	Y	560.039	560.067	0.050	-0.050	-0.028	---
Z Value_C2-1	Z	121.322	121.322	0.050	-0.050	0.000	
Space Point Distance_C2-2	PtDist	-0.041	0.000	0.050	-0.050	-0.041	----
X Value_C2-2	X	-958.159	-958.161	0.050	-0.050	0.002	-
Y Value_C2-2	Y	560.041	560.082	0.050	-0.050	-0.041	----





Name	id	actual	nominal	pos tol	neg tol	diff	<-- -->
Z Value_C2-2	Z	114.694	114.694	0.050	-0.050	0.000	
Space Point Distance_C2-3	PtDist	-0.042	0.000	0.050	-0.050	-0.042	----
X Value_C2-3	X	-962.397	-962.399	0.050	-0.050	0.002	-
Y Value_C2-3	Y	559.818	559.860	0.050	-0.050	-0.042	----
Z Value_C2-3	Z	113.737	113.737	0.050	-0.050	0.000	
Space Point Distance_C2-4	PtDist	-0.031	0.000	0.050	-0.050	-0.031	---
X Value_C2-4	X	-963.626	-963.628	0.050	-0.050	0.002	-
Y Value_C2-4	Y	559.767	559.798	0.050	-0.050	-0.031	---
Z Value_C2-4	Z	120.460	120.460	0.050	-0.050	0.000	

POSITION OF NET LOCATOR -A1-

Space Point Distance_A1-3	PtDist	-0.027	0.000	0.050	-0.050	-0.027	---
X Value_A1-3	X	-986.178	-986.152	0.050	-0.050	-0.026	---
Y Value_A1-3	Y	-494.389	-494.387	0.050	-0.050	-0.002	-
Z Value_A1-3	Z	201.883	201.876	0.050	-0.050	0.007	-
Space Point Distance_A1-4	PtDist	0.028	0.000	0.050	-0.050	0.028	---
X Value_A1-4	X	-986.598	-986.625	0.050	-0.050	0.027	---
Y Value_A1-4	Y	-488.137	-488.139	0.050	-0.050	0.002	-
Z Value_A1-4	Z	201.901	201.908	0.050	-0.050	-0.007	-
Space Point Distance_A5-3	PtDist	0.033	0.000	0.050	-0.050	0.033	---
X Value_A5-3	X	-978.549	-978.581	0.050	-0.050	0.032	---
Y Value_A5-3	Y	64.699	64.699	0.050	-0.050	0.000	
Z Value_A5-3	Z	177.491	177.500	0.050	-0.050	-0.009	-
Space Point Distance_A8-3	PtDist	0.000	0.000	0.050	-0.050	0.000	
X Value_A8-3	X	-986.599	-986.599	0.050	-0.050	0.000	
Y Value_A8-3	Y	487.927	487.927	0.050	-0.050	0.000	
Z Value_A8-3	Z	202.003	202.003	0.050	-0.050	0.000	
Space Point Distance_A8-4	PtDist	-0.029	0.000	0.050	-0.050	-0.029	---
X Value_A8-4	X	-986.194	-986.166	0.050	-0.050	-0.028	---
Y Value_A8-4	Y	494.254	494.252	0.050	-0.050	0.002	-
Z Value_A8-4	Z	201.873	201.865	0.050	-0.050	0.008	-

POSITION OF SPC PORT

X Value_SPC 1	X	-971.158	-971.292	0.500	-0.500	0.134	--
Y Value_SPC 1	Y	0.007	0.000	0.500	-0.500	0.007	-
Z Value_SPC 1	Z	132.146	132.177	0.500	-0.500	-0.030	-
Length of perpendicular_Perpendicular1	PerpLe	31.024	31.000	0.050	-0.050	0.024	--
X Value_SPC 2	X	-967.299	-967.314	0.500	-0.500	0.014	-
Y Value_SPC 2	Y	-0.051	0.000	0.500	-0.500	-0.051	-
Z Value_SPC 2	Z	138.333	138.339	0.500	-0.500	-0.007	-
Length of perpendicular_Perpendicular2	PerpLe	31.021	31.000	0.050	-0.050	0.021	--
X Value_SPC 3	X	-954.778	-954.352	0.500	-0.500	-0.426	----



Plan Name JOB 8336-W

Operator Master

DATE 2025-03-21 Time 7:29:56 am



Número de informe
MESS-IM-LDE-0298-2025
Pág. 14 de 14

Name	id	actual	nominal	pos tol	neg tol	diff	<-- -->
Y Value_SPC 3	Y	562.996	563.143	0.500	-0.500	-0.147	--
Z Value_SPC 3	Z	62.514	62.741	0.500	-0.500	-0.227	--
Length of perpendicular_Perpendicular3	PerpLe	30.953	31.000	0.050	-0.050	-0.047	----
MASTER 31 mm	PerpLe	30.998	31.000	0.050	-0.050	-0.002	-

