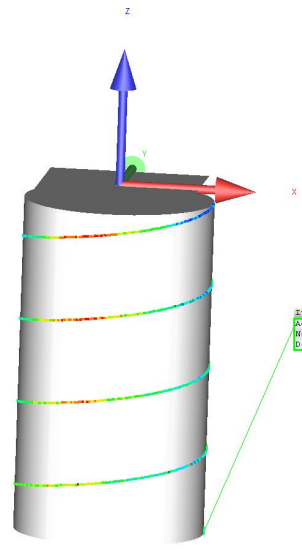




Plan Name EHQ-7310-GAGE	Run All Characteristics	Process sheet le
Date of the last program modification 2025-03-03	Version	Order
Last program modification S/R	Incremental Part Number 1	Temperature workpiece



Item 1 Perpendicularity
Act 0.002
Max 0.000
Dev 0.002





Plan Name
EHQ-7310-GAGE

DATE
2025-03-03

Número de informe
MESS-IM-LDE-0202-2025
Pág. 5 de 5

OT
LD25-07E-147

Time
4:47:20 pm

Part Name
EHQ-7310-GAGE

Drawing No.
S/R

Customer
DanfossPower Solutions

Metrologist
Emmanuel Vizcaya

Length unit
mm

No. de pieza
1

Name	ID	Actual	Nominal	pos Tol	neg Tol	Diff	<-- -->
Item 1_Perpendicularity	Perp	0.002	0.000	0.004		0.002	--

