

Part Name
Gage

Drawing No.
2254-058

Customer
DANFOSS

Metrologist
CARLOS GUZMAN

Length unit
in/mm

No. de pieza
1

Name	ID	Actual	Nominal	pos Tol	neg Tol	Diff	<-- -->
------	----	--------	---------	---------	---------	------	---------

Mediciones en in

Item 1_Diam	D	1.06150	1.06150	0.00010	-0.00010	0.00000	-
Item 2_Diam	D	1.65920	1.65915	0.00010	-0.00010	0.00005	---
Item 3_Diam	D	1.65917	1.65915	0.00010	-0.00010	0.00002	-
Item 4_Diam	D	1.65978	1.65975	0.00010	-0.00010	0.00003	--
Item 5_Diam	D	1.65978	1.65975	0.00010	-0.00010	0.00003	--
Item 6_Diam	D	1.65921	1.65915	0.00010	-0.00010	0.00006	---
Item 7_Diam	D	1.65927	1.65915	0.00010	-0.00010	0.00012	0.00002

Mediciones en mm

Item 1_Diam 1	ResEle	26.96218	26.96210	0.00197	-0.00197	0.00008	-
Item 2_Diam 2	ResEle	42.14377	42.14241	0.00197	-0.00197	0.00136	---
Item 3_Diam 3	ResEle	42.14280	42.14241	0.00197	-0.00197	0.00039	-
Item 4_Diam 4	ResEle	42.15829	42.15765	0.00197	-0.00197	0.00064	--
Item 5_Diam 5	ResEle	42.15847	42.15765	0.00197	-0.00197	0.00082	--
Item 6_Diam 6	ResEle	42.14386	42.14241	0.00197	-0.00197	0.00145	---
Item 7_Diam 7	ResEle	42.14539	42.14241	0.00197	-0.00197	0.00298	0.00101



Part Name
Mean Master

Drawing No.
EHQ-5229-GAGE

Customer
DANFOSS

Metrologist
CARLOS GUZMAN

Length unit
mm / in

No. de pieza
1

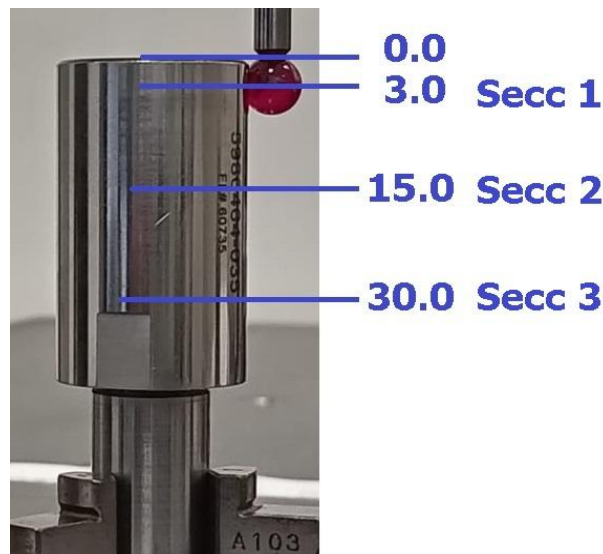
Name	ID	Actual	Nominal	pos Tol	neg Tol	Diff	<-- -->
------	----	--------	---------	---------	---------	------	---------

Resultados en in

1.1_Diametro_Secc 1	D	1.00006	1.00000			0.00006	
1.2_Diametro_Secc 2	D	1.00017	1.00000			0.00017	
1.3_Diametro_Secc 3	D	1.00004	1.00000			0.00004	

Resultados en mm

1.1_Diametro__Secc 1	ResEle	25.40158	25.40000			0.00158	
1.2_Diametro__Secc 2	ResEle	25.40421	25.40000			0.00421	
1.3_Diametro__Secc 3	ResEle	25.40103	25.40000			0.00103	



Part Name
Mean Master

Drawing No.
EHQ-5229-GAGE

Customer
DANFOSS

Metrologist
CARLOS GUZMAN

Length unit
mm / in

No. de pieza
1

Name	ID	Actual	Nominal	pos Tol	neg Tol	Diff	<-- -->
------	----	--------	---------	---------	---------	------	---------

Resultados en in

1.1_Diametro_Secc 1	D	0.99995	1.00000			-0.00005	
1.2_Diametro_Secc 2	D	0.99969	1.00000			-0.00031	
1.3_Diametro_Secc 3	D	0.99965	1.00000			-0.00035	

Resultados en mm

1.1_Diametro__Secc 1	ResEle	25.39873	25.40000			-0.00127	
1.2_Diametro__Secc 2	ResEle	25.39211	25.40000			-0.00789	
1.3_Diametro__Secc 3	ResEle	25.39108	25.40000			-0.00892	



Name	ID	Actual	Nominal	pos Tol	neg Tol	Diff	<-- -->
------	----	--------	---------	---------	---------	------	---------

Resultados en in

1.1_Diametro_Secc 1	D	0.99760	1.00000			-0.00240	
1.2_Diametro_Secc 2	D	0.99765	1.00000			-0.00235	
1.3_Diametro_Secc 3	D	0.99757	1.00000			-0.00243	

Resultados en mm

1.1_Diametro__Secc 1	ResEle	25.33902	25.40000			-0.06098	
1.2_Diametro__Secc 2	ResEle	25.34042	25.40000			-0.05958	
1.3_Diametro__Secc 3	ResEle	25.33833	25.40000			-0.06167	

