

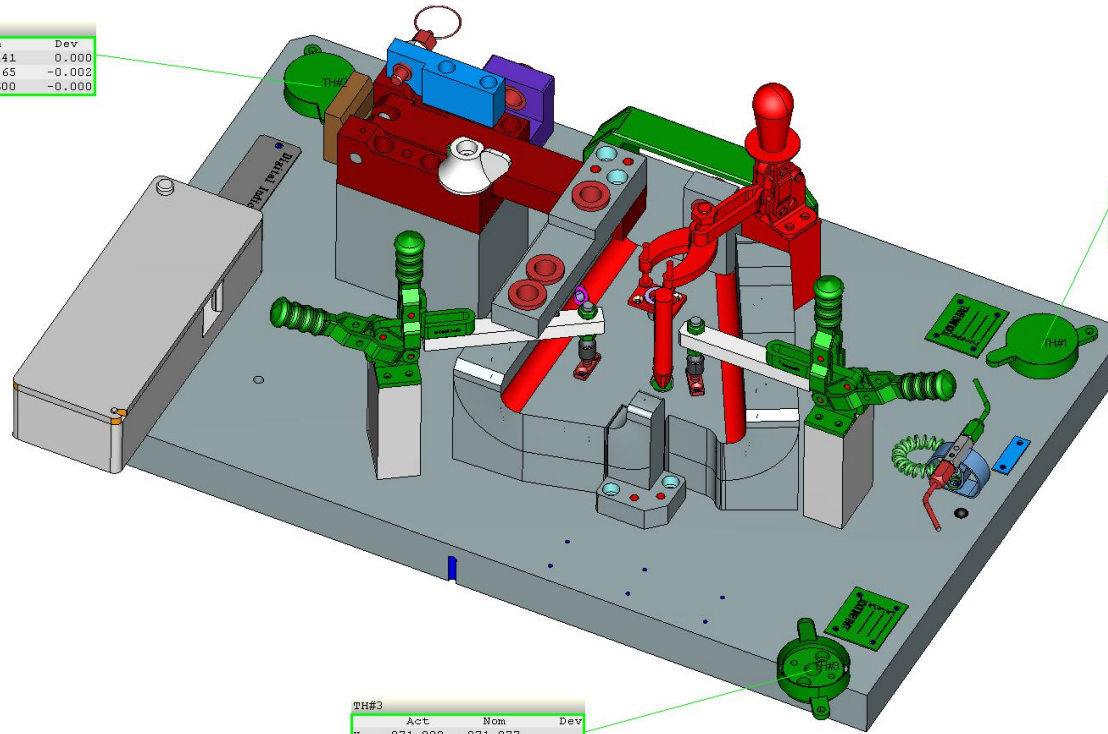


Programme All Characteristics	Plan Name Job-978-Fixture-RH	Date 2025-02-24	Temperature workpiece	Drawing No. JOB-978-RH
Incremental Part Number 1	Audit-No.: * vda_auditno *	Time 2:44:24 pm	Operator Master	Revision Date

TH#2	Act	Nom	Dev
X	-576.141	-576.141	0.000
Y	222.463	222.465	-0.002
Z	162.600	162.600	-0.000

TH#1	Act	Nom	Dev
X	-576.010	-576.010	0.000
Y	687.478	687.478	0.000
Z	162.600	162.600	0.000

TH#3	Act	Nom	Dev
X	-871.080	-871.077	
Y	687.513	687.515	
Z	162.600	162.600	

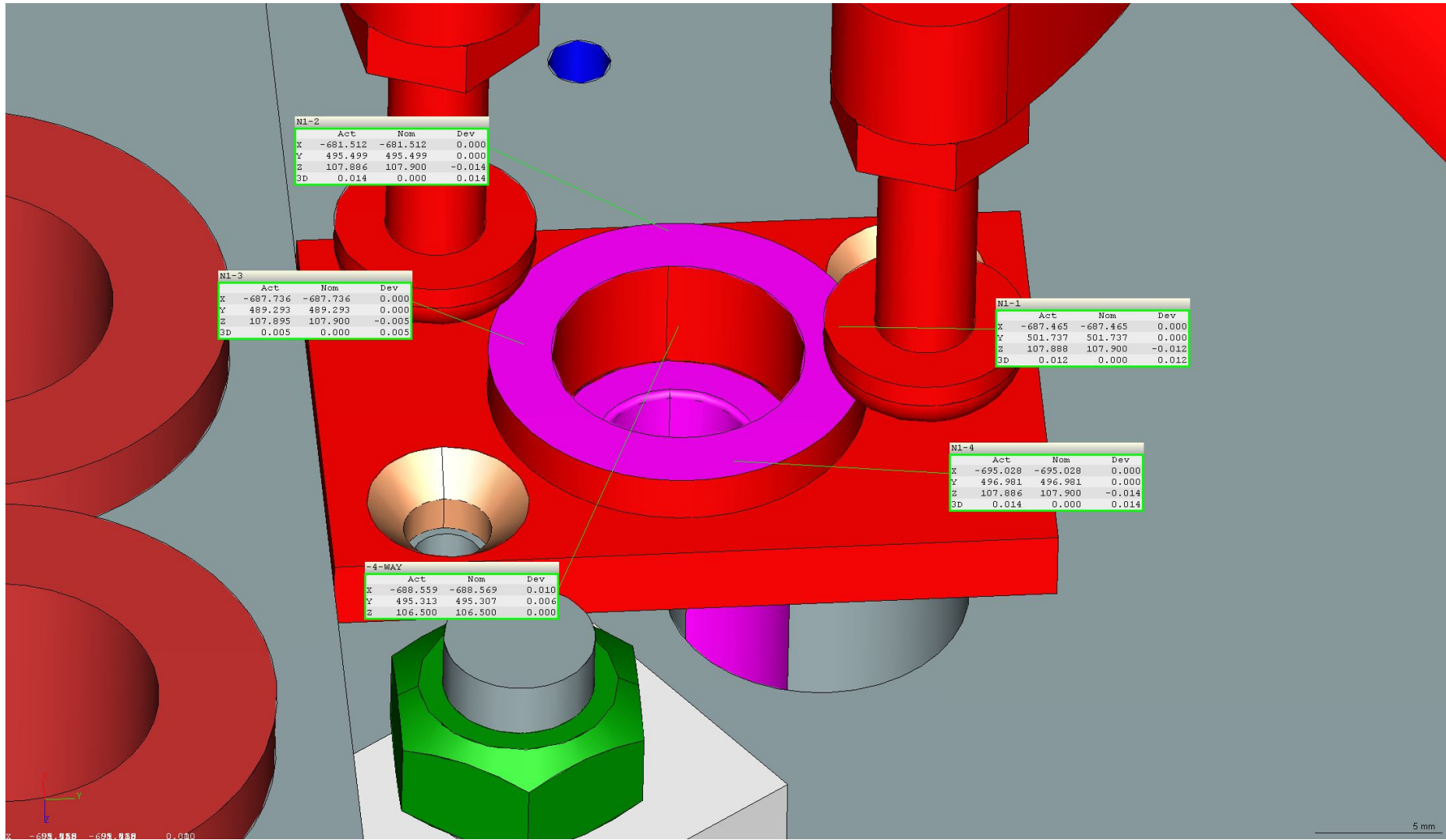


100 mm



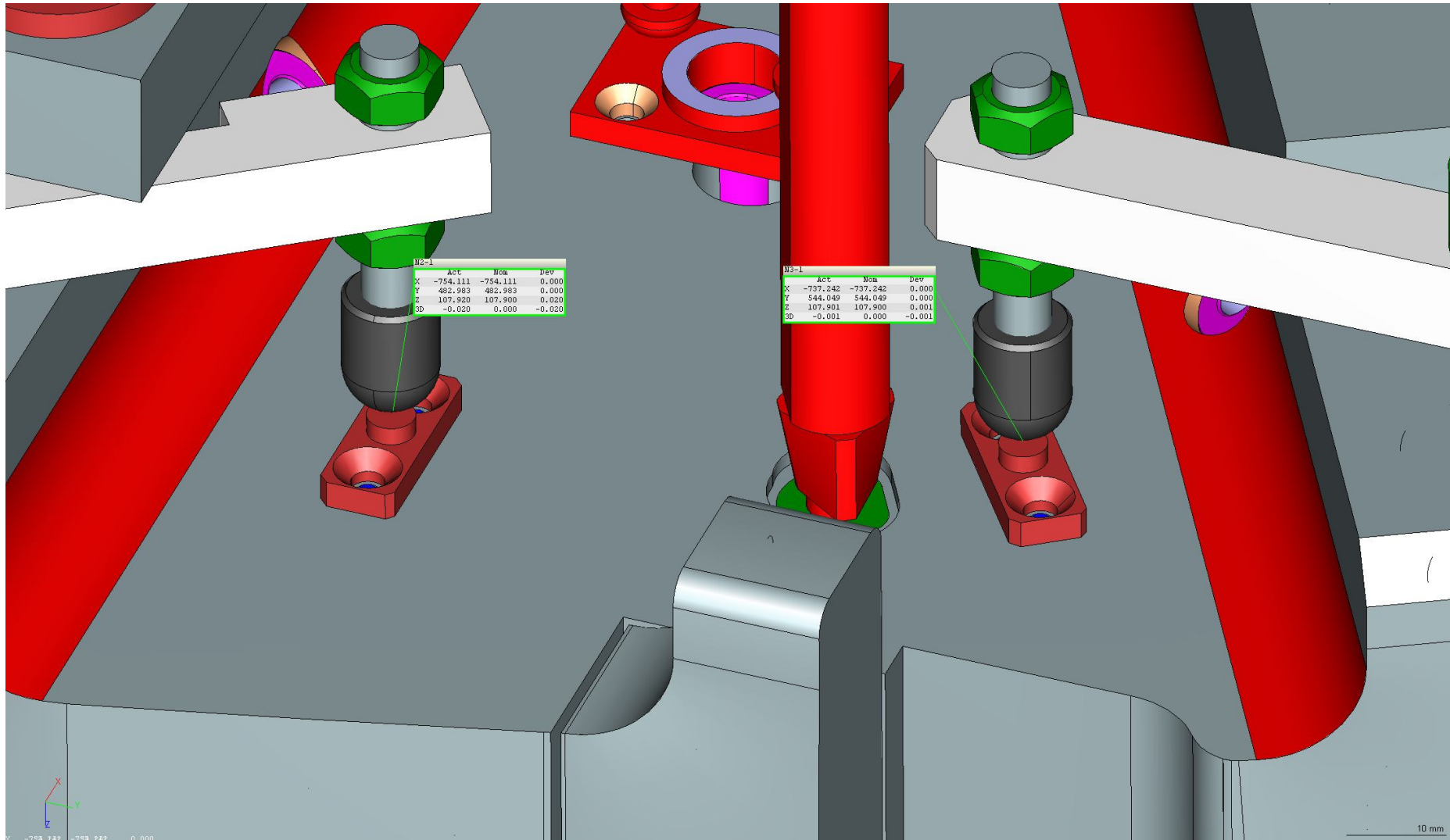


Programme All Characteristics	Plan Name Job-978-Fixture-RH	Date 2025-02-24	Temperature workpiece	Drawing No. JOB-978-RH
Incremental Part Number 1	Audit-No.: * vda_auditno *	Time 2:44:24 pm	Operator Master	Revision Date



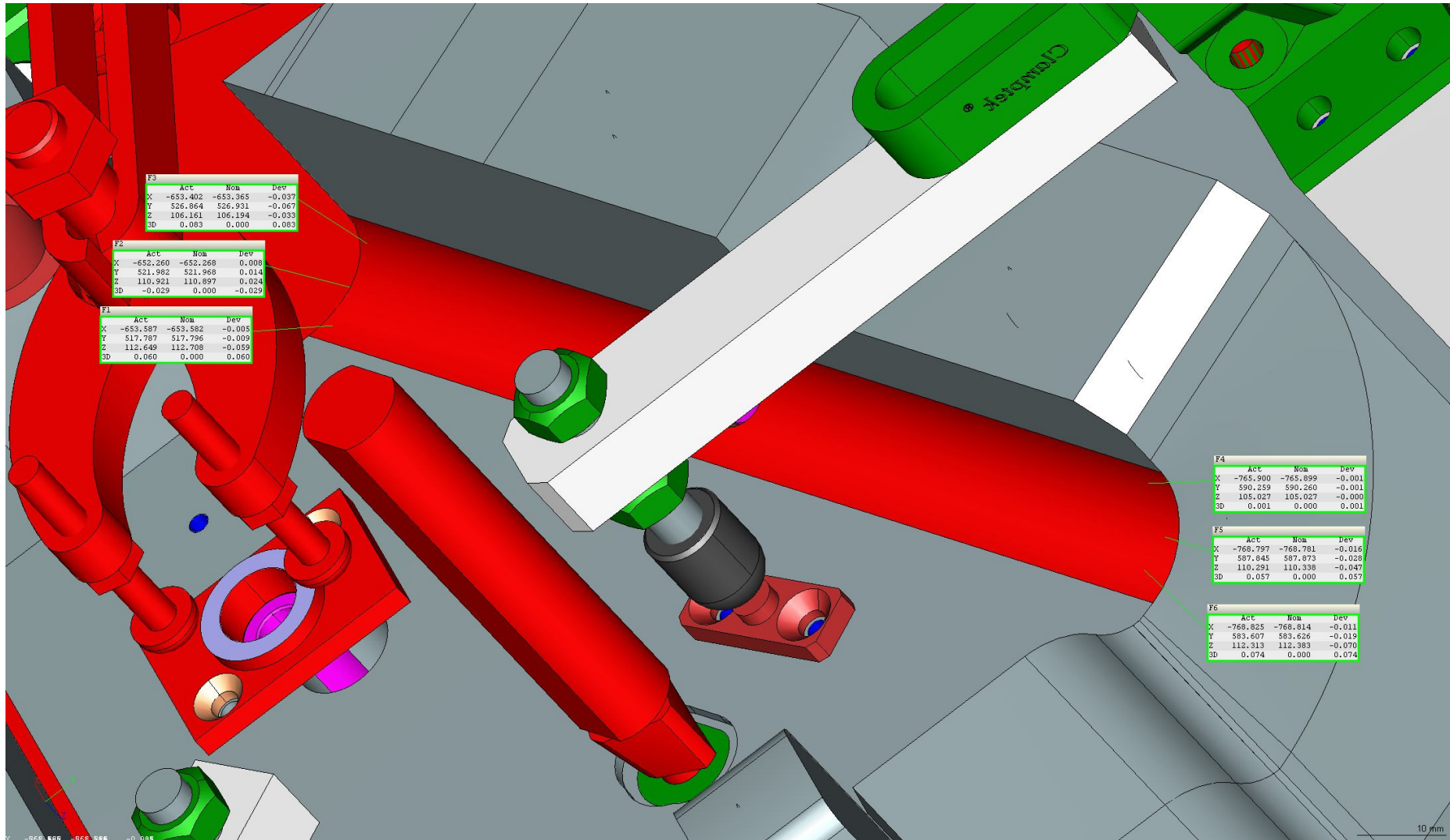


Programme All Characteristics	Plan Name Job-978-Fixture-RH	Date 2025-02-24	Temperature workpiece	Drawing No. JOB-978-RH
Incremental Part Number 1	Audit-No.: * vda_auditno *	Time 2:44:24 pm	Operator Master	Revision Date



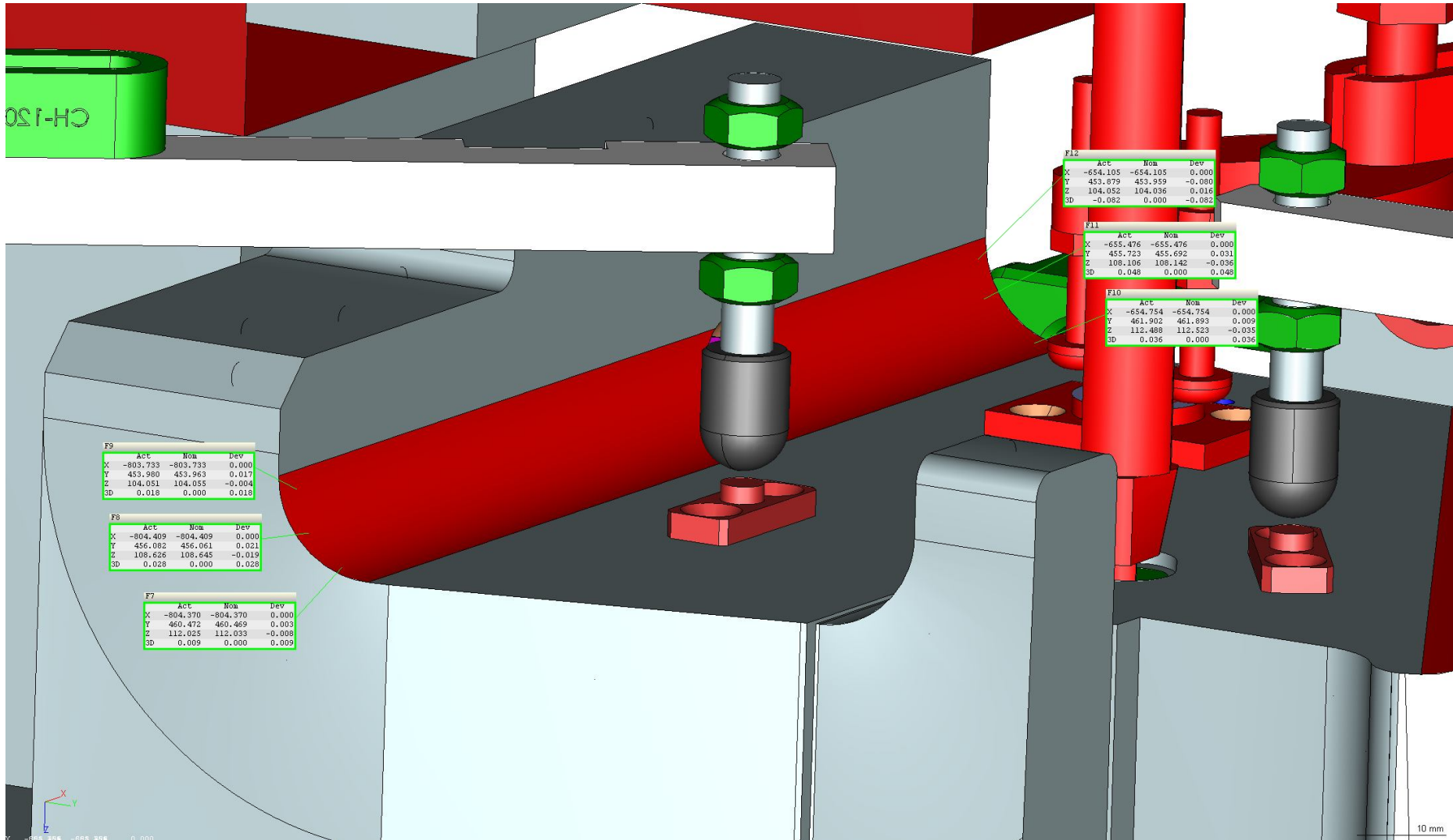


Programme All Characteristics	Plan Name Job-978-Fixture-RH	Date 2025-02-24	Temperature workpiece	Drawing No. JOB-978-RH
Incremental Part Number 1	Audit-No.: * vda_auditno *	Time 2:44:24 pm	Operator Master	Revision Date



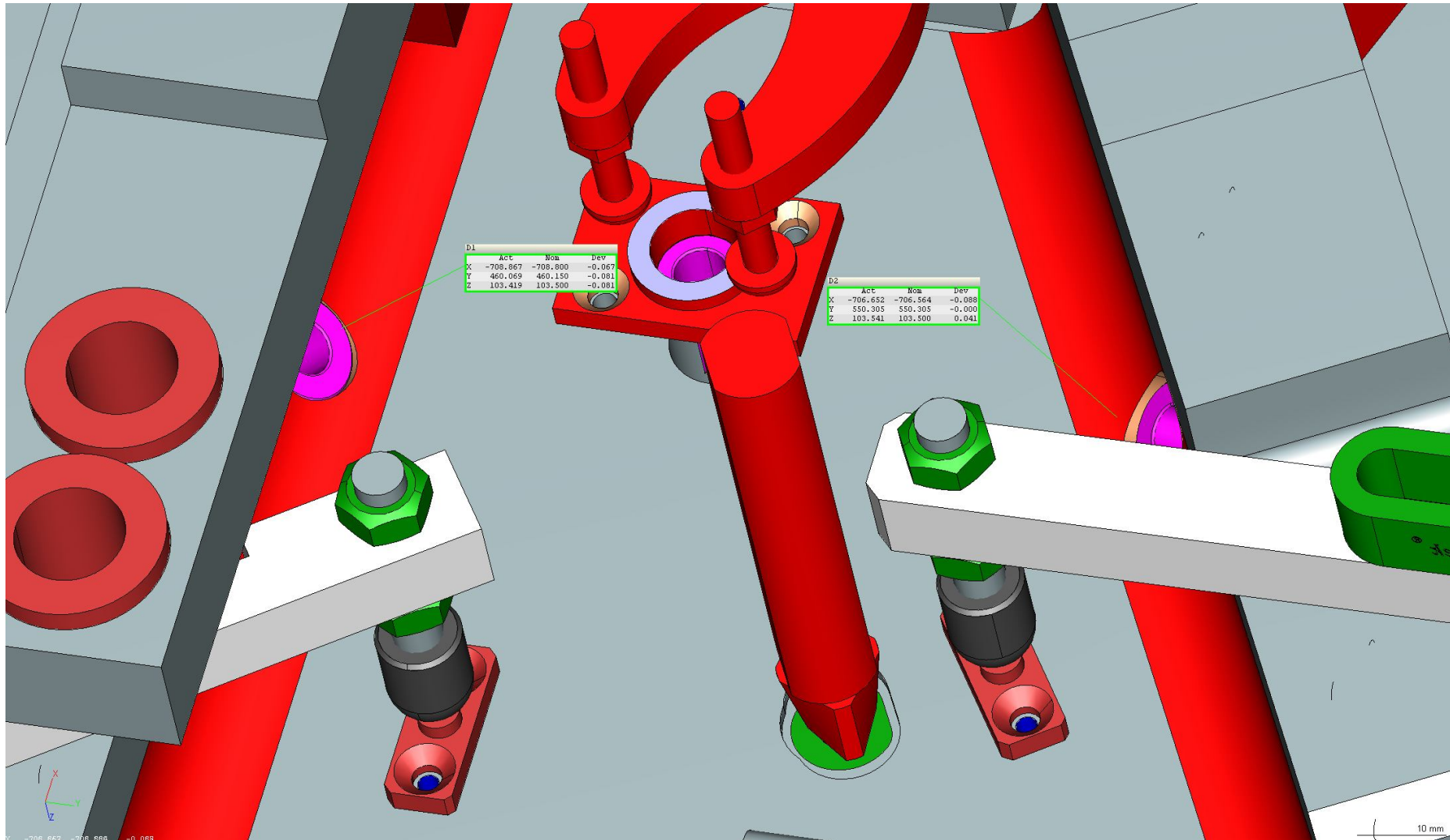


Programme All Characteristics	Plan Name Job-978-Fixture-RH	Date 2025-02-24	Temperature workpiece	Drawing No. JOB-978-RH
Incremental Part Number 1	Audit-No.: * vda_auditno *	Time 2:44:24 pm	Operator Master	Revision Date





Programme All Characteristics	Plan Name Job-978-Fixture-RH	Date 2025-02-24	Temperature workpiece	Drawing No. JOB-978-RH
Incremental Part Number 1	Audit-No.: * vda_auditno *	Time 2:44:24 pm	Operator Master	Revision Date



Part Name
Fixture

Drawing No.
JOB-978-RH

Customer
APM

Metrologist
Gerardo Moctezuma

Length unit
mm

No. de pieza
1

Name	ID	Actual	Nominal	pos Tol	neg Tol	Diff	<-- -->
------	----	--------	---------	---------	---------	------	---------

POSITION OF TOOLING BALLS

X Value_TH#1	X	-576.010	-576.010			0.000	
Y Value_TH#1	Y	687.478	687.478			0.000	
Z Value_TH#1	Z	162.600	162.600			0.000	
X Value_TH#2	X	-576.010	-576.010			0.000	
Y Value_TH#2	Y	687.478	687.478			0.000	
Z Value_TH#2	Z	162.600	162.600			0.000	
X Value_TH#3	X	-576.141	-576.141			0.000	
Y Value_TH#3	Y	222.463	222.465			-0.002	
Z Value_TH#3	Z	162.600	162.600			0.000	

POSITION OF NEW -4-WAY LOCATOR

X Value_-4-WAY	X	-688.559	-688.569	0.050	-0.050	0.010	-
Y Value_-4-WAY	Y	495.313	495.307	0.050	-0.050	0.006	-
Z Value_-4-WAY	Z	106.500	106.500	0.050	-0.050	0.000	

POSITION OF NEW NET LOCATOR -A1-

X Value_N1-1	X	-687.465	-687.465	0.050	-0.050	0.000	
Y Value_N1-1	Y	501.737	501.737	0.050	-0.050	0.000	
Z Value_N1-1	Z	107.888	107.900	0.050	-0.050	-0.012	-
Space Point Distance_N1-1	PtDist	0.012	0.000	0.050	-0.050	0.012	-
X Value_N1-2	X	-681.512	-681.512	0.050	-0.050	0.000	
Y Value_N1-2	Y	495.499	495.499	0.050	-0.050	0.000	
Z Value_N1-2	Z	107.886	107.900	0.050	-0.050	-0.014	--
Space Point Distance_N1-2	PtDist	0.014	0.000	0.050	-0.050	0.014	--
X Value_N1-3	X	-687.736	-687.736	0.050	-0.050	0.000	
Y Value_N1-3	Y	489.293	489.293	0.050	-0.050	0.000	
Z Value_N1-3	Z	107.895	107.900	0.050	-0.050	-0.005	-
Space Point Distance_N1-3	PtDist	0.005	0.000	0.050	-0.050	0.005	-
X Value_N1-4	X	-695.028	-695.028	0.050	-0.050	0.000	
Y Value_N1-4	Y	496.981	496.981	0.050	-0.050	0.000	
Z Value_N1-4	Z	107.886	107.900	0.050	-0.050	-0.014	--
Space Point Distance_N1-4	PtDist	0.014	0.000	0.050	-0.050	0.014	--





Name	id	actual	nominal	pos tol	neg tol	diff	<-- -->
------	----	--------	---------	---------	---------	------	---------

POSITION OF NEW NET LOCATOR -A2-

X Value_N2-1	X	-754.111	-754.111	0.050	-0.050	0.000	
Y Value_N2-1	Y	482.983	482.983	0.050	-0.050	0.000	
Z Value_N2-1	Z	107.920	107.900	0.050	-0.050	0.020	--
Space Point Distance_N2-1	PtDist	-0.020	0.000	0.050	-0.050	-0.020	--

POSITION OF NEW NET LOCATOR -A3-

X Value_N3-1	X	-737.242	-737.242	0.050	-0.050	0.000	
Y Value_N3-1	Y	544.049	544.049	0.050	-0.050	0.000	
Z Value_N3-1	Z	107.901	107.900	0.050	-0.050	0.001	
Space Point Distance_N3-1	PtDist	-0.001	0.000	0.050	-0.050	-0.001	

POINTS ON NEW CUT RADIUS FEELER SURFACES _5 MM CLEAR_

X Value_F1	X	-653.587	-653.582	0.100	-0.100	-0.005	-
Y Value_F1	Y	517.787	517.796	0.100	-0.100	-0.009	-
Z Value_F1	Z	112.649	112.708	0.100	-0.100	-0.059	---
Space Point Distance_F1	PtDist	0.060	0.000	0.100	-0.100	0.060	---
X Value_F2	X	-652.260	-652.268	0.100	-0.100	0.008	-
Y Value_F2	Y	521.982	521.968	0.100	-0.100	0.014	-
Z Value_F2	Z	110.921	110.897	0.100	-0.100	0.024	-
Space Point Distance_F2	PtDist	-0.029	0.000	0.100	-0.100	-0.029	--
X Value_F3	X	-653.402	-653.365	0.100	-0.100	-0.037	--
Y Value_F3	Y	526.864	526.931	0.100	-0.100	-0.067	---
Z Value_F3	Z	106.161	106.194	0.100	-0.100	-0.033	--
Space Point Distance_F3	PtDist	0.083	0.000	0.100	-0.100	0.083	----
X Value_F4	X	-765.900	-765.899	0.100	-0.100	-0.001	
Y Value_F4	Y	590.259	590.260	0.100	-0.100	-0.001	
Z Value_F4	Z	105.027	105.027	0.100	-0.100	0.000	
Space Point Distance_F4	PtDist	0.001	0.000	0.100	-0.100	0.001	
X Value_F5	X	-768.797	-768.781	0.100	-0.100	-0.016	-
Y Value_F5	Y	587.845	587.873	0.100	-0.100	-0.028	--
Z Value_F5	Z	110.291	110.338	0.100	-0.100	-0.047	--
Space Point Distance_F5	PtDist	0.057	0.000	0.100	-0.100	0.057	---
X Value_F6	X	-768.825	-768.814	0.100	-0.100	-0.011	-
Y Value_F6	Y	583.607	583.626	0.100	-0.100	-0.019	-
Z Value_F6	Z	112.313	112.383	0.100	-0.100	-0.070	---
Space Point Distance_F6	PtDist	0.074	0.000	0.100	-0.100	0.074	---
X Value_F7	X	-804.370	-804.370	0.100	-0.100	0.000	
Y Value_F7	Y	460.472	460.469	0.100	-0.100	0.003	-
Z Value_F7	Z	112.025	112.033	0.100	-0.100	-0.008	-
Space Point Distance_F7	PtDist	0.009	0.000	0.100	-0.100	0.009	-





Name	id	actual	nominal	pos tol	neg tol	diff	<-- -->
X Value_F8	X	-804.409	-804.409	0.100	-0.100	0.000	
Y Value_F8	Y	456.082	456.061	0.100	-0.100	0.021	-
Z Value_F8	Z	108.626	108.645	0.100	-0.100	-0.019	-
Space Point Distance_F8	PtDist	0.028	0.000	0.100	-0.100	0.028	--
X Value_F9	X	-803.733	-803.733	0.100	-0.100	0.000	
Y Value_F9	Y	453.980	453.963	0.100	-0.100	0.017	-
Z Value_F9	Z	104.051	104.055	0.100	-0.100	-0.004	-
Space Point Distance_F9	PtDist	0.018	0.000	0.100	-0.100	0.018	-
X Value_F10	X	-654.754	-654.754	0.100	-0.100	0.000	
Y Value_F10	Y	461.902	461.893	0.100	-0.100	0.009	-
Z Value_F10	Z	112.488	112.523	0.100	-0.100	-0.035	--
Space Point Distance_F10	PtDist	0.036	0.000	0.100	-0.100	0.036	--
X Value_F11	X	-655.476	-655.476	0.100	-0.100	0.000	
Y Value_F11	Y	455.723	455.692	0.100	-0.100	0.031	--
Z Value_F11	Z	108.106	108.142	0.100	-0.100	-0.036	--
Space Point Distance_F11	PtDist	0.048	0.000	0.100	-0.100	0.048	--
X Value_F12	X	-654.105	-654.105	0.100	-0.100	0.000	
Y Value_F12	Y	453.879	453.959	0.100	-0.100	-0.080	----
Z Value_F12	Z	104.052	104.036	0.100	-0.100	0.016	-
Space Point Distance_F12	PtDist	-0.082	0.000	0.100	-0.100	-0.082	----

POSITION OF NEW PIN -D1-

X Value_D1	X	-708.867	-708.800	0.100	-0.100	-0.067	---
Y Value_D1	Y	460.069	460.150	0.100	-0.100	-0.081	----
Z Value_D1	Z	103.419	103.500	0.100	-0.100	-0.081	----
X Value_D2	X	-706.652	-706.564	0.100	-0.100	-0.088	----
Y Value_D2	Y	550.305	550.305	0.100	-0.100	0.000	
Z Value_D2	Z	103.541	103.500	0.100	-0.100	0.041	--

